



标准&定制开关连接器产品制造商
DONG GUAN XI BANG ELECTRONICS CO., LTD.

规格书

SPECIFICATION

CUSTOMER NAME 客户名称: _____
 CUSTOMER NO. 客户编号: _____
 SERIES 系列: 倾斜震动开关
 MODEL NO. 型号: XB-SW-8001-W
 DRAWING NO. 图形号: Tilt switch

If specification of this product meets your request, please confirm all the items of it and return to us with signature and stamp, it will be basis of our production and record. Thanks your cooperation in advance!

若此产品规格符合贵司要求，敬请确认此规格书内所有项目
 并签名和盖章后回传给我司，以作我司产品制作之
 依据和存档之用，多谢合作！

EXAMINE & APPROVAL 审批

APPROVE 接受	NOT APPROVE 不接受
SIGNATURE 签署 STAMP 盖章 DATE 日期	

PREPARED BY.制表人	CHECKED BY.校对	APPROVED BY.审核	APPROVAL BY. 批准
<div style="border: 1px solid red; padding: 2px; text-align: center;">研发部</div> <div style="border: 1px solid red; padding: 2px; text-align: center;">戴海明</div> <div style="border: 1px solid red; padding: 2px; text-align: center;">2022. 06. 08</div>	<div style="border: 1px solid red; padding: 2px; text-align: center;">品质部</div> <div style="border: 1px solid red; padding: 2px; text-align: center;">黄自清</div> <div style="border: 1px solid red; padding: 2px; text-align: center;">2022. 06. 08</div>	<div style="border: 1px solid red; padding: 2px; text-align: center;">工程部</div> <div style="border: 1px solid red; padding: 2px; text-align: center;">庞军</div> <div style="border: 1px solid red; padding: 2px; text-align: center;">2022. 06. 08</div>	<div style="border: 1px solid red; padding: 2px; text-align: center;">总经办</div> <div style="border: 1px solid red; padding: 2px; text-align: center;">吴量</div> <div style="border: 1px solid red; padding: 2px; text-align: center;">2022. 06. 08</div>

东莞市溪榜电子有限公司

Dong guan Xi Bang Electronics Co., Ltd

地址: 广东省东莞市黄江镇合路工业区
 Address: He Lu Industrial Zone, Huangjiang Town, Dongguan City, Guangdong Province
 Tel: (0769)82055138/82056828
 Fax: (0769)83663452

邮箱: admin@alspr.com switch@alspr.com
<http://www.alspr.cn/> <http://www.alspr.com/>

Dong Guan XB Electronics Co., Ltd

AccountNumber: 705540238
 BankName: Citibank N. A., HongKongBranch
 Country/Region: Hong Kong
 BankCode: 006
 BankAddress: 3GardenRoad, Central, Hong Kong
 SWIFT/BIC: CITIHKHX (CITIHKHXXXX*If11charactersare required)

MAil: HK@ALPSR.CN XB@ALPSR.CN
 Quality core! Afterburner for Made in China!

产品规格书 Product Details specification

Product Name	File No.	Version	Date	Page
XB-SW-8001电磁式振动传感元件	XB-SW-3D-287	A2	2023.01.28	2/4

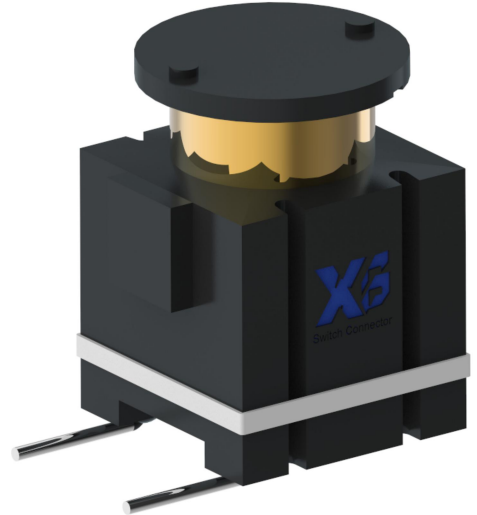
Function 功能

Displacement detection basis: acceleration.

After the measured object (such as the vehicle body) is vibrated (displaced), the sensor can output a weak current signal, the current strength is proportional to the vibration radiance, the current is then amplified by the operational amplifier in the circuit, the circuit end uses a NPN triode to output a pull-down signal through R9 (refer to reference circuit 1), and the sensitivity can be properly adjusted by VR1 in the circuit.

位移检测依据：加速度。

被测物体（如车体）受到振动（位移）后，本传感器能输出一个微弱的电流信号，电流强弱与振动幅度成正比，此电流再由电路中的运算放大器作比较放大，电路末端用一只NPN三极管通过R9输出一个下拉信号（参阅参考电路一），灵敏度可由电路中的VR1作适当调节。



Applications 应用产品

GPS car anti-theft device, anti-theft camera, anti-theft equipment, other vibration sensors.

汽车防盗器、防盗摄像头、防盗设备、其它振动感应器。

Features 产品特性

XB-SW-8001 is an omni-directional vibration sensor with electromagnetic induction instead of the general alarm mode of magnetic spring vibration induction. It can only make real-time and accurate response to the induced vibration, blow and other violations of the vehicle installed with this product, and effectively prevent false alarm, false alarm and false alarm. Therefore, the product has excellent automatic identification and judgment, especially for the anti-interference of lightning.

This product has the advantages of saving working time, reducing area, saving material cost, good consistency and interchangeability, high reliability and preventing false alarm.

This product is the same as other vibration sensors. Whether it is an independent probe or a circuit board installed with a probe and the object to be tested must be rigidly connected (fixed with screws or adhesive) to reduce the signal attenuation between the vibration source and the sensor.

XB-SW-8001是采用电磁式感应的全向振动传感器，而非一般磁弹簧片振动感应的报警方式，只能对安装本产品车辆本身的感应振动、打击等侵害，作出即时准确的反应，而有效地防止误报、错报、漏报。因此，本产品具有优良的自动识别、判断性，尤其对于雷电的抗干扰性特别稳定。

本产品由于节省工时、面积缩小、节省材料成本，一致性和互换性好，并具有高可靠度、防误报。

本产品与其它振动传感器一样，不管是独立的探头还是安装有探头的线路板与被检测的对象必须用刚性连接（使用螺丝或者粘结胶固定），以减小振动源至传感器之间的信号衰减。

产品规格书 Product Details specification

Product Name	File No.	Version	Date	Page
XB-SW-8001电磁式振动传感元件	XB-SW-3D-287	A2	2023.01.28	3/4

Electrical characteristics 电器特性

1	电感量 (mH)	5.5±10%
2	直流阻抗 (Ω)	130±10%
3	耐温范围	-30°C to 80°C
4	Pin脚抗拉脱力(kg)	2.5min
5	感应方位	全方位

Bill of material 材料列表

1	主体骨架	T375J PHENOLIC UL-94V-0
2	漆包线	2UEW0.06
3	磁芯	NdFeB N42 NI-CU-NI
4	铁芯	1215 NI
5	矽胶	日本东芝矽胶 65度+30度混合
6	Pin脚	CP Wire

Welding characteristics 焊接特性

1. 手工焊: 330°C±10°C, <3秒.

Manual welding : 330°C ± 10°C, <3s.

2. 波峰焊接 (DIP): 250°C±10°C, <5秒.

Wave peak solderling (DIP): 250°C ± 10°C, <5s.

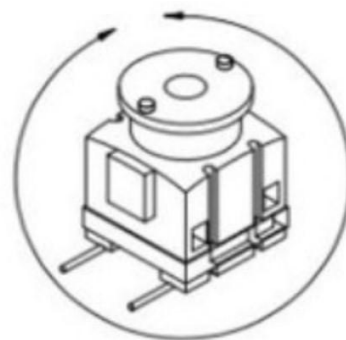
3. 焊锡: 无铅.

Solder tin: lead free.

4. 不可使用强酸、碱性助焊剂.

Do not use strong acid alkali flux.

全方位振动感应



Packaging 包装:

1、80PCS/Box

地址: 广东省东莞市黄江合路工业区

Add: Huangjianghe Road Industrial Zone, Dongguan City, Guangdong Province

TEL: 0769-82055138 82056828

Fax: 0769-83663452

http://www.alpsr.cn www.alpsr.com

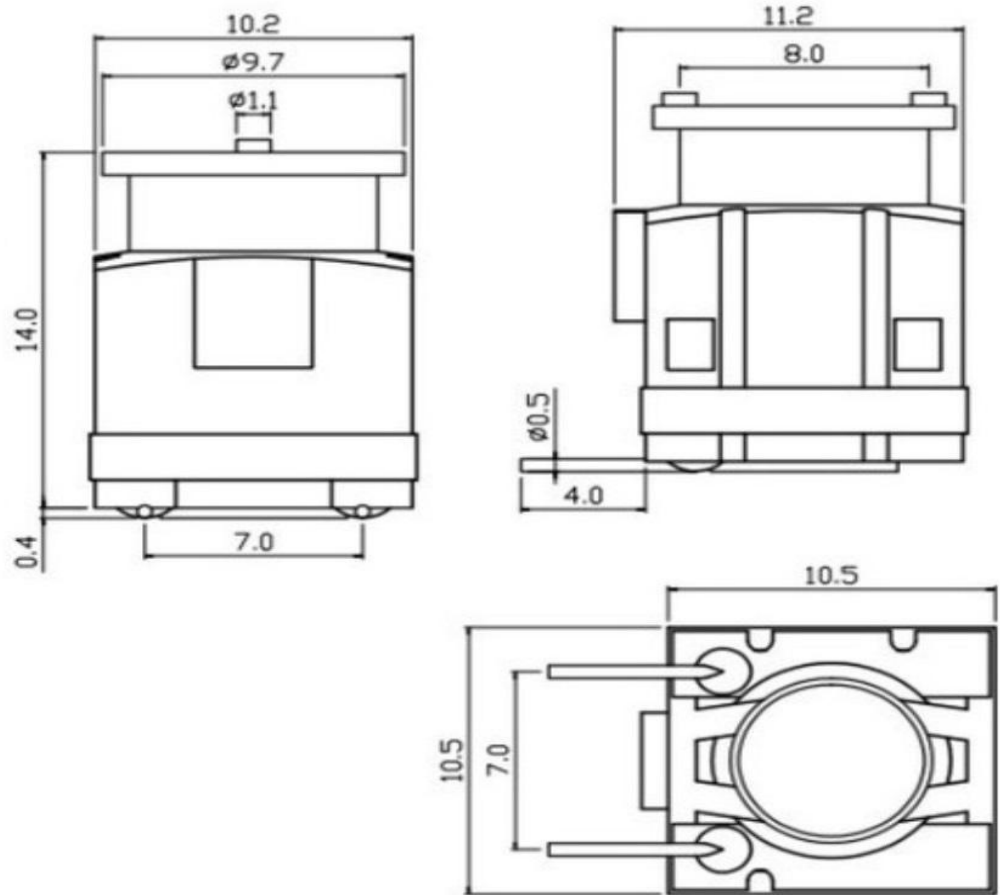
E-mail:XB@ALPSR.CN

产品规格书 Product Details specification

Product Name	File No.	Version	Date	Page
XB-SW-8001电磁式振动传感元件	XB-SW-3D-287	A2	2023.01.28	4/4

■ SIZE尺寸

Unit: mm,
Tolerance ± 0.25



■ Note 注意事项

- If the product used for high security products and durability of extremely high equipment (such as life safety equipment, aviation facilities, disaster prevention device), please confirm whether a share, can seek advice our company for details.
如果该产品要用于高安全性产品及耐久性极高的设备中（如生命安全设备、航空设施、防灾装置），请确认是否合用，或咨询我司了解详情。
- In case of fire, Please do not overload applicable.
请勿超负荷使用，以防发生火灾。
- The welding temperature or time more than standard, can cause switch collapse.
焊接温度或时间超过规范时，会造成开关解体。
- Do not use water solubility flux. May cause damage to the switch.
勿使用水溶性助焊剂、可能会造成开关损坏。
- Do not use solvent wash switch.
勿使用溶剂清洗开关。
- This switch conduction rate of 98% (conductivity rate per 100 times value switchactions, can good conduction ratio).
本开关导通率为98%以上（导通率是指开关每100次动作中，可以良好导通的比率）。
- X i b a n g company is only responsible for the defective problems of the product itself, return and exchange
the defective products, and does not bear other joint and several expenses.
溪榜公司只承担本产品本身不良问题,对不良品进行退换货,不承担其它连带费用责任。

地址：广东省东莞市黄江合路工业区

Add: Huangjianghe Road Industrial Zone, Dongguan City, Guangdong Province

TEL: 0769-82055138 82056828

Fax: 0769-83663452

http://www.alpsr.cn www.alpsr.com

E-mail:XB@ALPSR.CN