



**标准&定制开关连接器产品制造商**  
DONG GUAN XI BANG ELECTRONICS CO., LTD.

# 规格书

## SPECIFICATION

CUSTOMER NAME 客户名称: \_\_\_\_\_  
 CUSTOMER NO. 客户编号: \_\_\_\_\_  
 SERIES 系列: 圆形旋转开关  
 MODEL NO. 型号: XB-RV-00711 series  
 DRAWING NO. 图形号: Circular rotary switch

If specification of this product meets your request, please confirm all the items of it and return to us with signature and stamp, it will be basis of our production and record. Thanks your cooperation in advance!

若此产品规格符合贵司要求，敬请确认此规格书内所有项目  
 并签名和盖章后回传给我司，以作我司产品制作之  
 依据和存档之用，多谢合作！

### EXAMINE & APPROVAL 审批

| APPROVE 接受                              | NOT APPROVE 不接受 |
|---|-----------------|
| SIGNATURE 签署      STAMP 盖章      DATE 日期 |                 |

| PREPARED BY. 制表人   | CHECKED BY. 校对   | APPROVED BY. 审核   | APPROVAL BY. 批准  |
|--|--|---|--|
| <div style="border: 1px solid red; padding: 2px;">研发部</div> <div style="border: 1px solid red; padding: 2px;">戴海明</div> <div style="border: 1px solid red; padding: 2px;">2022. 06. 08</div> | <div style="border: 1px solid red; padding: 2px;">品质部</div> <div style="border: 1px solid red; padding: 2px;">黄自清</div> <div style="border: 1px solid red; padding: 2px;">2022. 06. 08</div> | <div style="border: 1px solid red; padding: 2px;">工程部</div> <div style="border: 1px solid red; padding: 2px;">庞军</div> <div style="border: 1px solid red; padding: 2px;">2022. 06. 08</div> | <div style="border: 1px solid red; padding: 2px;">总经理办</div> <div style="border: 1px solid red; padding: 2px;">吴量</div> <div style="border: 1px solid red; padding: 2px;">2022. 06. 08</div> |

**东莞市溪榜电子有限公司**

**Dong guan Xi Bang Electronics Co., Ltd**  
 地址: 广东省东莞市黄江镇合路工业区  
 Address: He Lu Industrial Zone, Huangjiang Town  
 , Dongguan City, Guangdong Province  
 Tel: (0769)82055138/82056828  
 Fax: (0769)83663452

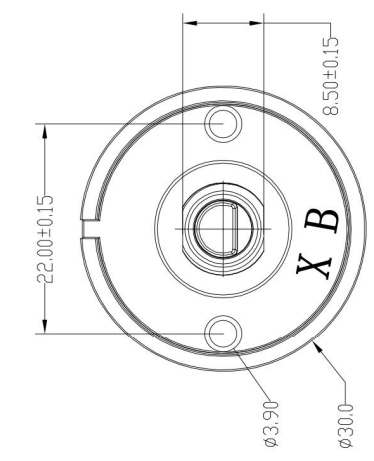
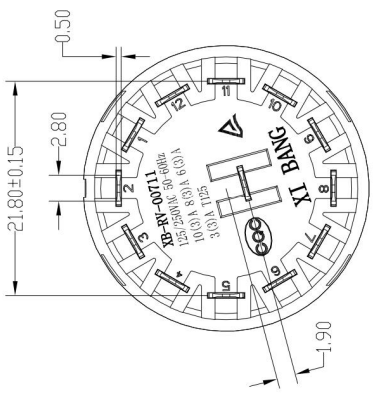
邮箱: admin@alspr.com    switch@alspr.com  
<http://www.alspr.cn/>    <http://www.alspr.com/>

**Dong Guan XB Electronics Co., Ltd**

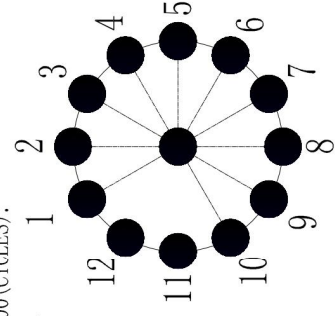
AccountNumber: 705540238  
 BankName: Citibank N. A., HongKongBranch  
 Country/Region: Hong Kong  
 BankCode: 006  
 BankAddress: 3GardenRoad, Central, Hong Kong  
 SWIFT/BIC: CITIHKHX (CITIHKHXXXX\*If11charactersare  
 required)

MAil: HK@ALPSR.CN    XB@ALPSR.CN    XB@ALPSR.COM  
 Quality core! Afterburner for Made in China!

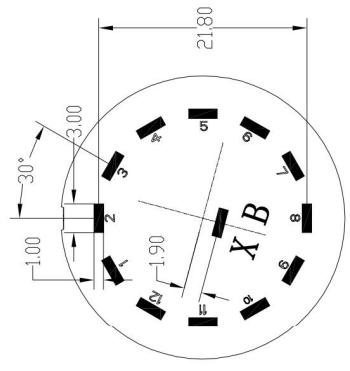
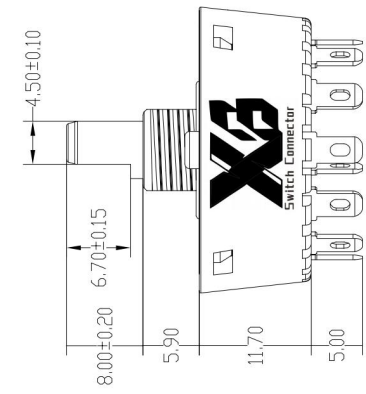
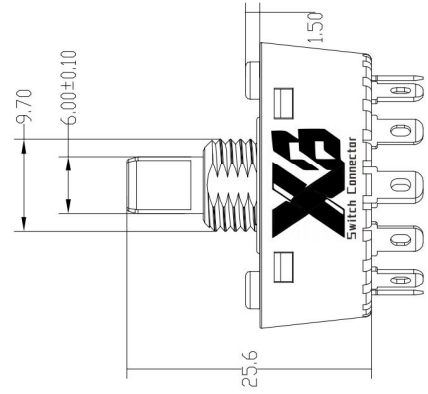
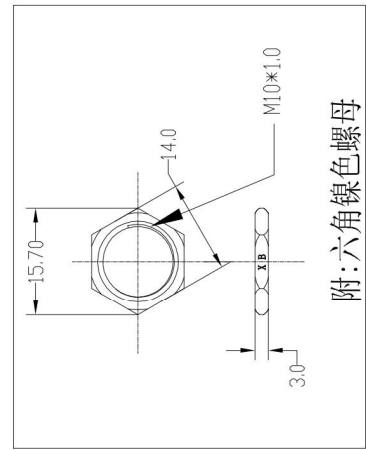
|              |             |            |        |
|--------------|-------------|------------|--------|
| REV. ECN NO. | DESCRIPTION | DATE       | DESIGN |
| A0           | 新版发行        | 2020.11.01 | 高鹏     |



- 1、ELECTRICAL RATING:3(3)A 250VAC T125.
- 2、ROTATION ANGLE:30°.
- 3、CONTACT RESISTANCE: ≤50mΩ (INITIAL VALUE).
- 4、INSULATION RESISTANCE: ≥100MΩ (EXPERIMENTAL VOLTAGE 500VDC).
- 5、RATED IMPULSE WITHSTAND VOLTAGE 1500VAC, 5mA.
- 6、ELECTRICAL SERVICE LIFE:10000(CYCLES).
- 7、TORSION FORCE:0.6kg±0.3KGF.
- 8、CIRCUIT DIAGRAM



电路功能



PCB LAYOUT

PRELIMINARY

|                                       |            |          |                      |
|---------------------------------------|------------|----------|----------------------|
| UNLESS OTHERWISE SPECIFIED TOLERANCES |            | TITLE    |                      |
| DECIMALS                              | ANGLES     | 旋转开关     |                      |
| X ±0.50                               | X ±2°      | DATE     | PART NO: XB-RV-00711 |
| X.X ±0.38                             | X.X ±1°    | DWN      | 高鹏                   |
| X.XX ±0.15                            | X.XX ±0.5° | CHKD     | 邢晓晨                  |
| X.XXX ±0.05                           | APVD       | SIZE: A4 | SHEET:1 OF 1         |
|                                       |            | DWG NO.  | 贺龙飞                  |
|                                       |            | UNIT: mm | REV: A0              |
|                                       |            | VIEW:    |                      |

**XB** 东莞市溪榜电子有限公司  
DONG GUAN XI BANG ELECTRONIC CO., LTD.



# 东莞市溪榜电子有限公司

DONG GUAN XI BANG ELECTRONICS CO., LTD

|                                       |  |  |   |
|---------------------------------------|--|--|---|
| 1. General[一般描述]                      |  |  |   |
| 1.1 Part name<br>[产品名称]               | Rortay switch<br>[旋转开关]  |  |   |
| 1.2 Function<br>[功能]                  | OFF L1 L2 L3 L4 L5 L6 L7 L8 L9 L10 L11   |  |   |
| 1.3 Operating temperature<br>[使用环境温度] | -10°C ~ 125°C  |  |   |
| 1.4 ngardtestingcongition:<br>[测试条件]  | Normal Temperature(25°C ± 10°C)、Normal humidity(45~85RH%)<br>Normal atmospheric pressure (860~1060hpa) |  |   |
| 1.5 Appearance[外观]                    | see attached dwg[见附件图纸]  |  |   |
| 2. Approval/Rating[认证/规格]             |  |  |   |
| Approval[安规]                          | Rating[规格]   | Electrical life[寿命]  | Remaks[备注]  |
| TUV                                   | 3A 250V AC   | 10,000   | Approved  |
| CQC                                   | 3A 250V AC   | 10,000   | Approved  |
| 3. Electrical Characteristics[电气特性]   |  |  |   |
| No.[序号]                               | Item[项目]   | Condition[条件]  | Criteria[标准]  |
| 3.1                                   | Electrical life<br>[电气寿命]  | 6,000;10,000 life cycles<br>[6,000;10,000 周次]  | Switch perform 10 cycles of normal function after max. lwctrical life<br>[开关达到最大电气寿命后能继续进行 10 周次] |
| 3.2                                   | Contact Resistance<br>[接触阻抗]   | Initial<br>[起始]  | ≤ 50mΩ  |
| 3.3                                   | GEARS ANDLE<br>[旋转角度]  | Each file<br>每档  | 30°   |
| 3.4                                   | Insulation Resistance<br>[绝缘阻抗]  | Between terminals to case at 500 VDC for 5 secpnds<br>[脚与外壳间承受 500VAC,保持 5 秒]  | ≥ 100MΩ   |
| 3.5                                   | Dielectric strength<br>[耐压强度]  | Between terminals of contacts 1000V AC 5ma for 1 minute<br>[脚与外壳间承受 1000VAC,5ma 保持 1 分钟]<br>Between terminals of CASE 1800VAC 5ma for 1 minute<br>[脚与外壳间承受 1500VAC, 5mA 保持 1 分钟] | Measuremeng before life test,mo flash or Dielectric breakdown<br>[量度于寿命测试前, 无闪光或者击穿现象]            |
| 4. Physical characteristics[物理特性]     |  |  |   |
| No[序号]                                | Item[项目]   | Condition[条件]  | Criteria[标准]  |
| 4.1                                   | Mechanical life<br>[机械寿命]  | Perform 50,000 cycles operations<br>[50,000 周次]  | No,detachable perts & switch w/normal Function<br>[开关无损坏/功能正常]                                    |
| 4.2                                   | Operating torque<br>[扭动力]  | Rotation force required for position change-over<br>[每档旋转扭力]   | 0.6 ± 0. 3KGF.  |

# 东莞市溪榜电子有限公司

|     |                               |  |                        |
|-----|-------------------------------|--|------------------------|
| 4.3 | Looseness of knob             |  | within $\pm 1.2^\circ$ |
| 4.4 | Flammability rating<br>[防火等级] | Thermoplastic UL 94V-2<br>[热塑性塑胶 UL 94V-2] |                        |

5.Remarks[备注]