



标准&定制开关连接器产品制造商
DONG GUAN XI BANG ELECTRONICS CO., LTD.

规格书

SPECIFICATION

CUSTOMER NAME 客户名称: _____
 CUSTOMER NO. 客户编号: _____
 SERIES 系列: 防水微动开关IP67
 MODEL NO. 型号: XB-series
 DRAWING NO. 图形号: Waterproof Micro SwitchIP67

If specification of this product meets your request, please confirm all the items of it and return to us with signature and stamp, it will be basis of our production and record. Thanks your cooperation in advance!

若此产品规格符合贵司要求, 敬请确认此规格书内所有项目
 并签名和盖章后回传给我司, 以作我司产品制作之
 依据和存档之用, 多谢合作!

EXAMINE & APPROVAL 审批

APPROVE 接受	NOT APPROVE 不接受
SIGNATURE 签署 STAMP 盖章 DATE 日期	

PREPARED BY. 制表人	CHECKED BY. 校对	APPROVED BY. 审核	APPROVAL BY. 批准
<div style="border: 1px solid red; padding: 2px;">研发部</div> <div style="border: 1px solid red; padding: 2px;">戴海明</div> <div style="border: 1px solid red; padding: 2px;">2022. 06. 08</div>	<div style="border: 1px solid red; padding: 2px;">品质部</div> <div style="border: 1px solid red; padding: 2px;">黄自清</div> <div style="border: 1px solid red; padding: 2px;">2022. 06. 08</div>	<div style="border: 1px solid red; padding: 2px;">工程部</div> <div style="border: 1px solid red; padding: 2px;">庞军</div> <div style="border: 1px solid red; padding: 2px;">2022. 06. 08</div>	<div style="border: 1px solid red; padding: 2px;">总经办</div> <div style="border: 1px solid red; padding: 2px;">吴量</div> <div style="border: 1px solid red; padding: 2px;">2022. 06. 08</div>

东莞市溪榜电子有限公司

Dong guan Xi Bang Electronics Co., Ltd

地址: 广东省东莞市黄江镇合路工业区

Address: He Lu Industrial Zone, Huangjiang Town, Dongguan City, Guangdong Province

Tel: (0769)82055138/82056828

Fax: (0769)83663452

邮箱: admin@alspr.com switch@alspr.com

http://www.alspr.cn/ http://www.alspr.com/

Dong Guan XB Electronics Co., Ltd

Account Number: 705540238

Bank Name: Citibank N. A., Hong Kong Branch

Country/Region: Hong Kong

Bank Code: 006

Bank Address: 3 Garden Road, Central, Hong Kong

SWIFT/BIC: CITIHKHX (CITIHKHXXXX*If 11 characters are required)

MAil: HK@ALPSR.CN XB@ALPSR.CN XB@ALPSR.COM

Quality core! Afterburner for Made in China!



东莞市溪榜电子有限公司

DONG GUAN XI BANG ELECTRONICS CO., LTD

产品规格书 PRODUCT SPECIFICATION

文件编号	FILE NO.	XB Micro Switch	文件版次	EDITION	A. 1
产品编码	PART NO.	XB series			
产品描述	Product Name	XB-Micro Switch IP67			

1 General Characteristics 一般特性:

1.1 Application: This specification is applied to the micro switch (H3) for general applications.

适用范围: 该承认书指微动开关 (H3) 的一般使用范围。

1.2 Operating Temperature Range: -40°C to +85°C

使用温度范围: -40°C to +85°C

Preservative Temperature Range: -40°C to +85°C

保存温度范围: -40°C to +85°C

1.3 Operating Relative Humidity: ≤85%RH

相对湿度: ≤85%RH

1.4 Test Conditions: Unless otherwise specified, the atmospheric conditions for making measurements and tests are as follows:

实验条件: 若没有特别说明, 则试验大气条件如下:

Ambient Temperature: 5~35°C

环境温度: 5~35°C

Relative Humidity: 45~85%

相对湿度: 45~85%

Air Pressure: 86~106Kpa (860~1060mbar)

大气压力: 86~106Kpa (860~1060mbar)

2 Appearance, Structure and Dimensions 外观, 结构及尺寸:

2.1 Appearance: The switch shall have good finishing, and no rust, crack or plating defects.

外观: 产品外观良好, 无锈蚀、裂纹和镀层缺陷。

2.2 Structure & Dimensions: Refer to individual product drawing.

结构及尺寸: 参见产品图纸

2.3 Markings: Refer to individual product drawing.

标识: 参见产品图纸。

3.	Ratings 额定负荷	CERTIFICATION	RATING	LIFE CYCLES	FILE NO.
			3A 12VDC 40T85 0.1A 48VDC 125/250VAC	100,000	

4. Electrical Characteristics 电气特性

No.	Item 项目	Criteria 标准	Test Method 实验方法
4.1	Insulation Resistance 绝缘电阻	100 MΩ min. 100 MΩ min.	500VDC voltage is applied between each pair of terminals and between the terminal and the metal frame for 60±5S. 在相互绝缘的所有端子之间及各接线端子与外露的非载流金属零件之间加载500V直流电, 持续时间60±5S。
4.2	Dielectric Voltage 抗电强度	No dielectric breakdown shall occur. 无击穿现象发生。	600VAC (50~60Hz, cut-off current 10mA) is applied between non-connected terminals and 1000VAC between terminals and the metal frame for 60±5s. 在相互绝缘的所有接线端子之间600V (50-60Hz) 交流电, 各接线端子与外壳或非载流金属零件之间加载1000V (50-60Hz) 交流电, 持续时间60±5S。



东莞市溪榜电子有限公司

DONG GUAN XI BANG ELECTRONICS CO., LTD

产品规格书 PRODUCT SPECIFICATION

文件编号	FILE NO.	XB Micro Switch	文件版次	EDITION	A. 1
产品编码	PART NO.	XB series			
产品描述	Product Name	Micro Switch IP67			

5. Mechanical Characteristics 机械特性

No.	Item 项目	Criteria 标准	Test Method 实验方法
5.1	Operating Force 操作力	See product drawing 参见产品图纸	Apply a tension load on the midpoint of the actuator (or 1mm to the tip of the shaft) to supply a pressure vertically from its free position to operating position. 在操作元件中间(或在离操作元件末端1mm处)沿操作方向均匀施加静载荷, 使操作元件转换到动作位置。
5.2	Releasing Force 回复力	See product drawing 参见产品图纸	A static load shall be reduced to the tip of actuator in operating direction to change component from operating position to release position. 在操作元件末端沿操作方向均匀减少静载荷, 使操作元件从动作位置转换到释放位置。
5.3	Free position 自由位置	See product drawing 参见产品图纸	The position where the actuator lead the Displacements when its out of force or the force is not enough to drive the actuator. 驱动件在不承受操作力以及不足以引起位移时所处的位置
5.4	Operating Position 操作位置	See product drawing 参见产品图纸	The distance from the end of operating component to the center of mount hole when switch is being transformed 开关发生转换时, 操作元件末端到开关安装孔中心的距离
5.5	Pre Travels 行程	See product drawing 参见产品图纸	The distance vertically through, which the midpoint of the actuator (or tip of the shaft) trip move from its free position to operating position. 从自由位置到动作位置的距离。
5.6	Differential Travel 差程	See product drawing 参见产品图纸	The distance from operating position to release position 从动作位置到释放位置的距离。
5.7	Over travel 超行程	See product drawing 参见产品图纸	The displacements of actuator form operation to total travel position. 驱动件从动作位置到全行程位置间的位移。



东莞市溪榜电子有限公司

DONG GUAN XI BANG ELECTRONICS CO., LTD

产品规格书 PRODUCT SPECIFICATION

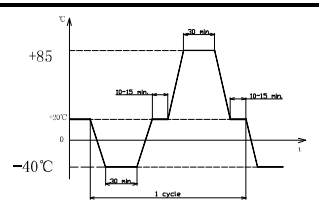
文件编号	FILE NO.	XB Micro Switch	文件版次	EDITION	A. 1
产品编码	PART NO.	XB series			
产品描述	Product Name	Micro Switch IP67			

6. Durability characteristics

No.	Item 项目	Criteria 标准	Test Method 实验方法
6.1	Mechanical Life 机械寿命	<p>After test, Insulation resistance:50MΩ min. The electrical performance requirements specified in item 4.2 shall be satisfied. The switch shall be free from abnormalities in appearance construction. Operating force: within $\pm 30\%$ initialization value.</p> <p>实验后: 绝缘电阻: 50MΩ min. 电气性能应符合第4.2条的要求。 开关外观及结构应无损坏。 操作力变化为初始值的 $\pm 30\%$。</p>	<p>500,000 cycles of operation shall be performed continuously at a rate of 60 cycles per minute without load.</p> <p>在不带负荷的条件下, 速度为60次/分, 在寿命试验设备上连续转换500,000次。</p>
6.2	Operating Life with Load 负荷寿命	<p>After test, Insulation resistance:10MΩ min. The electrical performance requirements specified in item 4.2 shall be satisfied. The switch shall be free from abnormalities in appearance construction. Operating force: within $\pm 30\%$ initialization value.</p> <p>实验后: 绝缘电阻: 10MΩ min. 电气性能应符合第4.2条的要求。 开关外观及结构应无损坏。 操作力变化为初始值的 $\pm 30\%$。</p>	<p>IEC61058-1: 50,000 cycles of oper a shall be performed continuously at a rate of 15 cycles per minute with load as follow: Refer to individual product drawing (Resistive Load)</p> <p>IEC61058-1: 在产品图纸标示负荷的下, 在寿命试验设备上连续转换50,000次, 15次/分。</p>

7. Weather Proof Characteristics 耐候性能:

7.1	Cold Proof 低温		<p>After testing at $-40 \pm 2^\circ \text{C}$ for 96 hours, the switch shall be allowed to stand under normal temperature and humidity conditions for 1 hour, and measurement shall be made within 1 hour after that. Water drops shall be eliminated.</p> <p>试件在$-40 \pm 2^\circ \text{C}$的温控箱内保持96小时, 然后在正常温度和湿度下恢复1小时, 并在此后1小时内对试品进行测量, 水滴应消失。</p>
-----	----------------------	--	--

文件编号	FILE NO.	XB Micro Switch	文件版次	EDITION	A. 1
产品编码	PART NO.	XB series			
产品描述	Product Name	Micro SwitchIP 67			
7.2	Hot Proof 高温	After test, Insulation resistance: 50MΩ Min. The Electrical performance requirements specified in item 4.2 shall be satisfied. The switch shall be free from abnormalities in appearance & construction.	After testing at 85±2° C for 96 hours, the switch shall be allowed to stand under normal temperature and humidity conditions for 1 hour, and measurement shall be made within 1 hour after that. 试件在85±2℃的温控箱内保持96小时, 然后在正常温度和湿度下恢复1小时, 并在此后1小时内对试品进行测量, 水滴应消失。		
7.3	Moisture Resistance 恒定湿热	实验后: 绝缘电阻: 50MΩ Min. 电气性能应符合第4.2条的要求。 开关外观及结构应无损坏。	After testing at 40±2° C, 90~95% RH for 96 hours, the switch shall be allowed to stand under normal temperature and humidity conditions for 1 hour, and measurement shall be made within 1 hour after that. Water drops shall be eliminated. 试件在40±2℃, 90-95%RH的温控箱内保持96小时, 然后在正常温度和湿度下恢复1小时, 并在此后1小时内对试品进行测量, 水滴应消失。		
7.4	Temperature Cycling 温度转换		After 4 cycles of following conditions, the switch can stay under normal temperature and humidity conditions for 2 hours, and measurement shall be made within 1 hour after that. Water drops shall be eliminated. 试件按下述实验条件试验 4个循环, 然后在正常温度 和湿度下恢复 2小时, 并在此后 1小时内对试品进行测量, 水滴应消失。		
					

8. Material List 材料清单

No. 序号	零部件名称 Parts Name	数量 Quantity	材料, 规格 Material and Specifications	防火等级 Prevent fire grade	备注 Remarks
1	外壳 Cover	1	PA		
2	底座 Base	1	PA		
3	按钮 Actuating button	1	POM		
4	密封圈 Sealed Circle	1	Silicone Rubber		
5	COM端子 COM Terminal	1	Cu Alloy		Ag PLATED
6	弹簧 Spring	1	SWP		
7	动片 Moving Blade	1	Cu Alloy		Ag PLATED
8	动片触点 MB Contact	1	Ag Alloy		
9	NO端子 NO Terminal	1	Cu Alloy		Ag PLATED
10	NO 端子触点 NO Contact	1	Ag Alloy		
11	电线 Electric Wire	2	UL3266, 24AWG		
12	PCB组件 PCB Subassembly	1	Resistance		220欧, 3300欧
13	手柄 Handle	1	SUS		
14	密封胶水 Sealed Glue	0.01g	Silicone Rubber		
15	防水壳胶水 Waterproof Shell Glue	0.5g	Epoxy Resin		



东莞市溪榜电子有限公司

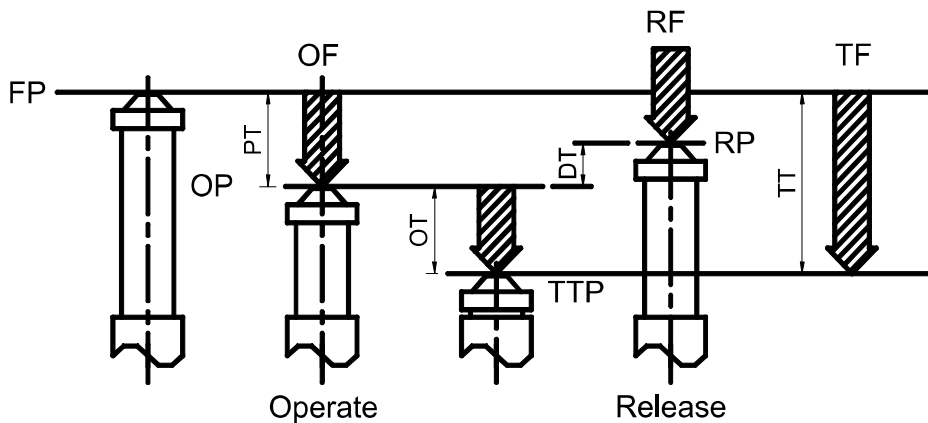
DONG GUAN XI BANG ELECTRONICS CO., LTD

产品规格书 PRODUCT SPECIFICATION

文件编号	FILE NO.	XB Micro Switch	文件版次	EDITION	A.1
产品编码	PART NO.	XB series			
产品描述	Product Name	Micro Switch IP67			

9. Operating data diagram 操作参数示意图

OF :Operating Force OP : Operating Position TT :Total Travel
 RF :Release Force TTP: Total Travel Position TF :Total travel Force
 RP :Release Position FP : Free Position PT :Pre Travel
 OT :Over Travel DT : Differential Travel





东莞市溪榜电子有限公司

DONG GUAN XI BANG ELECTRONICS CO., LTD.

PACKAGE STANDARD

TITLE : MICRO SWITCH

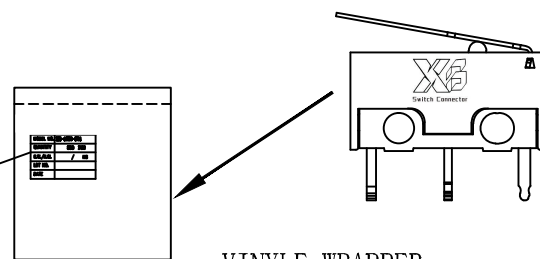
ISSUE : A

MODEL : XB-MX Series

INNER PACKAGE LABEL

MODEL NO.	XB-MX-1381
QUANTITY	500 PCS
G.W./N.W.	/ KG
LOT NO.	
DATE	

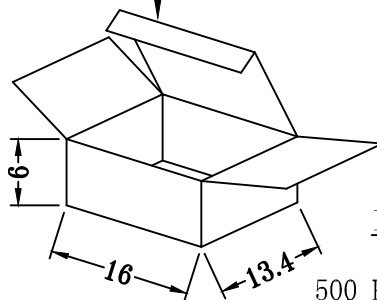
PD06/B 06/2005



500 PCS/BAG

VINYLE WRAPPER

ONLY ONE BAG



INNER BOX

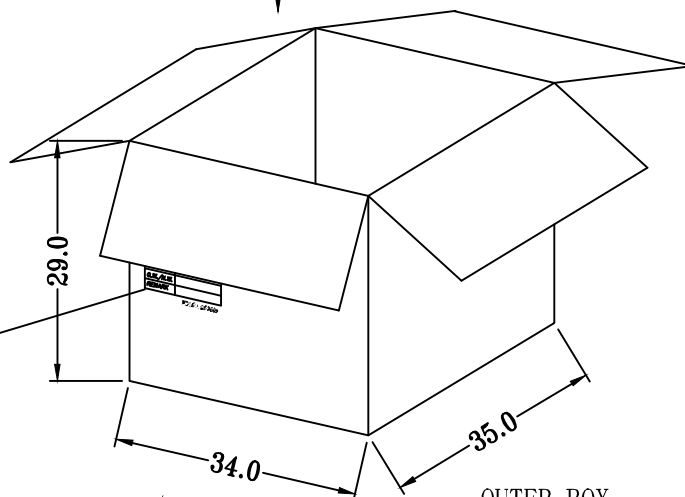
500 PCS/INNER BOX

TOTAL 20 BOXES

PACKAGE LABEL OF CARTONS

MODEL NO.	XB-MX-1381
QUANTITY	10000 PCS
LOT NO.	
DATE	
G.W./N.W.	/ KG
REMARK	

PD16/A 06/2005



10000 PCS/OUTER BOX

OUTER BOX

说明:

1. 产品用PE袋放防潮珠封装(500PCS/包)、装纸盒(1包/盒)、装外箱(20盒/箱), 尾数箱取10或6盒外箱或用空盒填充, 封口包装时外箱不能变形.
2. 包装过程中, 防止产品受挤压变形, 外箱不能有破损封贴不严等现象.
3. 如客户有指定包装要求、侧按客户包装要求执行.

PREPARE

余文波

APPROVAL

陈远锋

DATE

2023-5-8