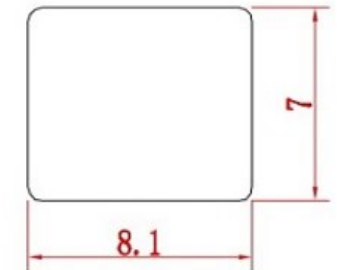
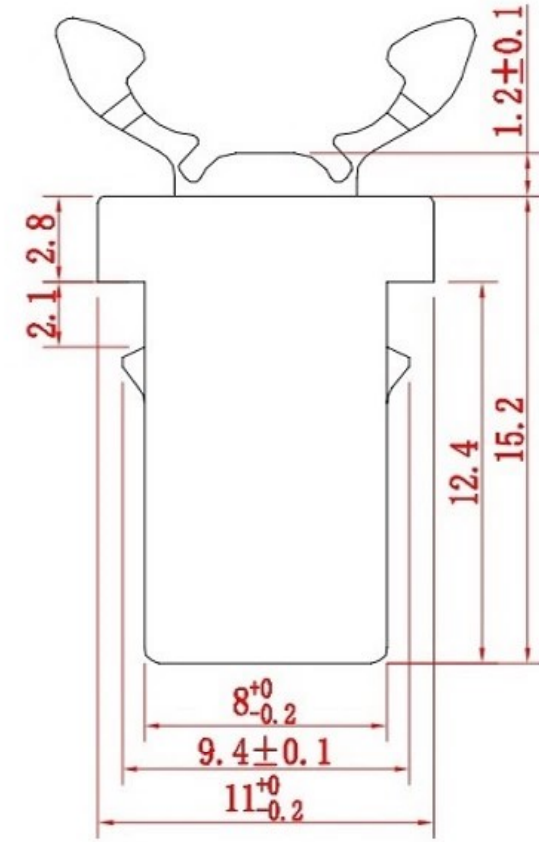
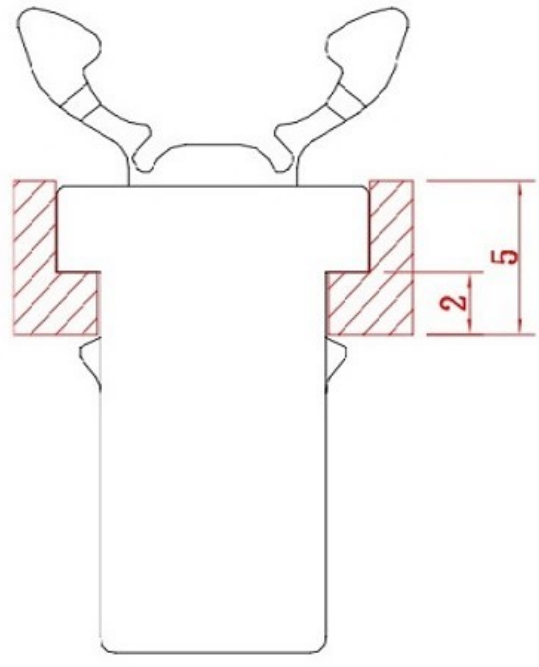
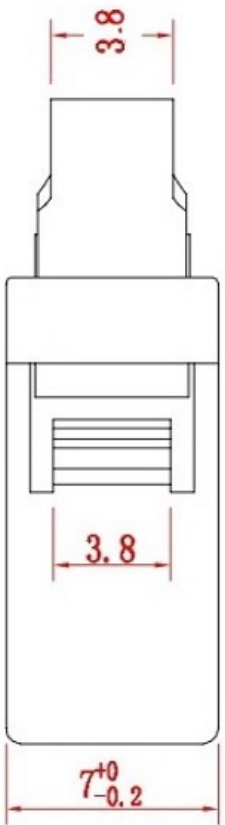


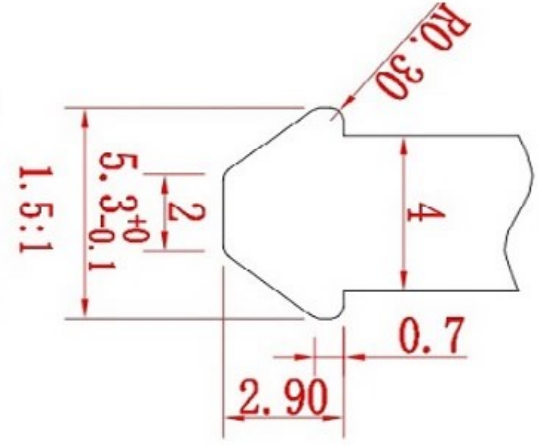
REVISION A RoHS

SYMB	REVISION	DATE	APVD.



安装孔参考规格

锁舌参考规格



TITLE	DOOR LATCH SWITCH	DRAWN		TOLERANCE OTHERWISE UNLESS SPECIFIED	8			
PART NO.		CHECKED		UP TO 5	±0.2	6		
DRAW NO.	DL1	APPROVED		ABOVE 5 ~ 30	±0.3	5		
SCALE: 2:1	UNIT: mm	DATE:		ABOVE 30 ~ 50	±0.4	4		
				ABOVE 50	±0.5	3	SPRING	SUS 1 NI PLATED
				ANGLE	±3'	2	HOUSING	POM 1 BLACK
						1	SLIDER	PA12 1 BLACK
				NO.	PARTS	MATERIAL	QTY.	FINISHING