



标准&定制开关连接器产品制造商
DONG GUAN XI BANG ELECTRONICS CO., LTD.

规格书 SPECIFICATION

CUSTOMER NAME 客户名称: _____
 CUSTOMER NO. 客户编号: _____
 SERIES 系列: 检测开关
 MODEL NO. 型号: XB-TM-V-206KT
 DRAWING NO. 图形号: Detector Switches

If specification of this product meets your request, please confirm all the items of it and return to us with signature and stamp, it will be basis of our production and record. Thanks your cooperation in advance!

若此产品规格符合贵司要求，敬请确认此规格书内所有项目
 并签名和盖章后回传给我司，以作我司产品制作之
 依据和存档之用，多谢合作！

EXAMINE & APPROVAL 审批

APPROVE 接受	NOT APPROVE 不接受
SIGNATURE 签署 STAMP 盖章 DATE 日期	

PREPARED BY. 制表人	CHECKED BY. 校对	APPROVED BY. 审核	APPROVAL BY. 批准
<div style="border: 1px solid red; padding: 2px;">研发部</div> <div style="border: 1px solid red; padding: 2px;">戴海明</div> <div style="border: 1px solid red; padding: 2px;">2022. 06. 08</div>	<div style="border: 1px solid red; padding: 2px;">品质部</div> <div style="border: 1px solid red; padding: 2px;">黄自清</div> <div style="border: 1px solid red; padding: 2px;">2022. 06. 08</div>	<div style="border: 1px solid red; padding: 2px;">工程部</div> <div style="border: 1px solid red; padding: 2px;">庞军</div> <div style="border: 1px solid red; padding: 2px;">2022. 06. 08</div>	<div style="border: 1px solid red; padding: 2px;">总经办</div> <div style="border: 1px solid red; padding: 2px;">吴量</div> <div style="border: 1px solid red; padding: 2px;">2022. 06. 08</div>

东莞市溪榜电子有限公司

Dong guan Xi Bang Electronics Co., Ltd

地址: 广东省东莞市黄江镇合路工业区
 Address: He Lu Industrial Zone, Huangjiang Town
 , Dongguan City, Guangdong Province
 Tel: (0769)82055138/82056828
 Fax: (0769)83663452

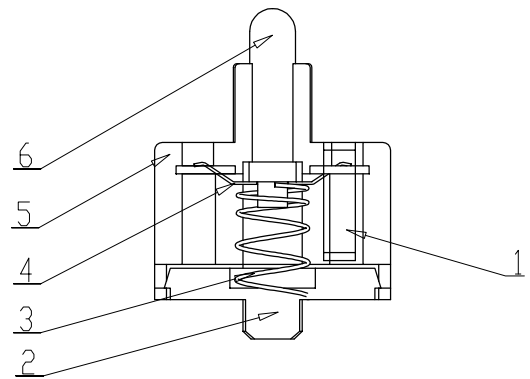
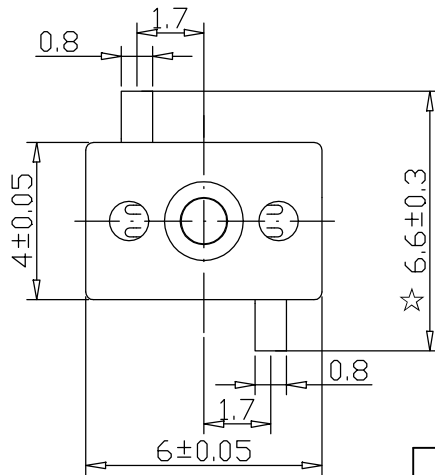
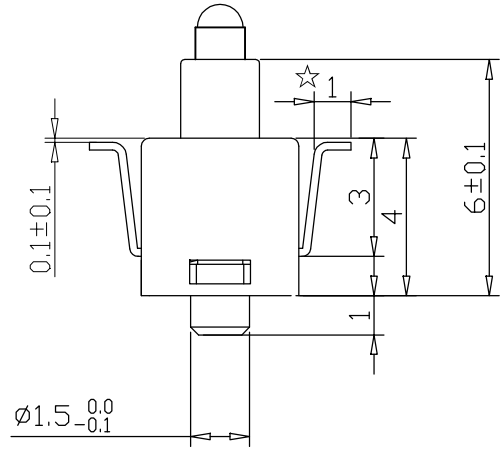
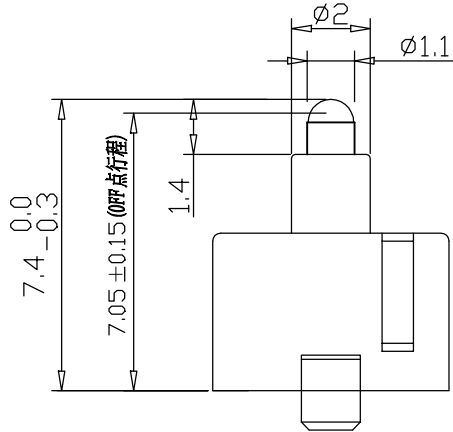
邮箱: admin@alspr.com switch@alspr.com
<http://www.alspr.cn/> <http://www.alspr.com/>

Dong Guan XB Electronics Co., Ltd

Account Number: 705540238
 Bank Name: Citibank N. A., Hong Kong Branch
 Country/Region: Hong Kong
 Bank Code: 006
 Bank Address: 3 Garden Road, Central, Hong Kong
 SWIFT/BIC: CITIHKHX (CITIHKHXXXX*If 11 characters are required)

MAil: HK@ALPSR.CN XB@ALPSR.CN
 Quality core! Afterburner for Made in China!

XB-TM-V-206KT



6	按钮 BUTTON	1	PA66	黑色 BLACK
5	基座 SUBSTRATE	1	PA66	黑色 BLACK
4	簧片 REED	1	覆银铜 SILVER COATED COPPER	
3	弹簧 SPRING	1	不锈钢丝 STAINLESS STEEL WIRE	本色 NATURAL COLOR
2	盖板 COVER	1	PC	透明白 TRANSPARENT WHITE
1	端子 TERMINAL	1	黄铜 BRASS	镀银 SILVERING

未注尺寸公差均按GB1804-m级精度要求(具体见下表)
DID NOT INDICATE THE SIZE TOLERANCE ARE CALCULATED BY
GB1804 - m CLASS ACCURACY REQUIREMENT (SEE TABLE BELOW)

公差等级 GRADE OF TOLERANCE	尺寸分段 SIZE CLASS			
	0.5~3	>3~6	>6~30	>30~120
m(中等级) (THE LEVEL)	± 0.1	± 0.1	± 0.2	± 0.3

序号 NO.	名称 NAME	数量 QUANTITY	材料 MATERIAL	备注 REMARK
外形图 DRAWINGS				
阶段标记 MARK PHASE			重量 WEIGHT	比例 PROPORTION
微动开关 MICRO SWITCH				
XB-TM-V-206KT				
第 页 共 页 ORDINAL PAGE TOTAL PAGES				

东莞市溪榜电子有限公司
 DONG GUAN XI BANG ELECTRONI CS CO., LTD.

管(通)用件登记 OFF-THE-SHELF NOTE	
描图 TRACING	
描校 PROOFREAD	
附底图总号 AID BASE MAP MARK	
签字 SIGNATURE	标记 SIGN 处数 INDEX 分区 PARTITION 更改文件号 CHANGE THE FILE NO. 签名 SIGNATURE 日期 DATE
日期 DATE	
审核 CHECK	设计 DESIGN 郑永林 YONGLIN ZHEN 2014.12.9 工艺 TECHNOLOGY 标准化 STANDARDIZATION 柯志武 ZHIWU KE 2014.12.9 批准 APPROVAL 郑建乐 JIANLE ZHEN 2014.12.9



东莞市溪榜电子有限公司

DONG GUAN XI BANG ELECTRONICSCO., LTD

规格承认书

SPECIFICATION FOR APPROVAL

品名：微动开关
NAME: Micro Switch

型号：XB-TM-V-206KT
Part No: XB-TM-V-206KT

1. 产品构造 Structure

- | | |
|-----|---|
| 1.1 | 形状、尺寸依照产品图纸
Shape、size follows the product drawing. |
| 1.2 | 外观：各部位应良好无生锈、划痕、割伤、污点、变色等不良现象
Appearance: There are no bad phenomena such as rustiness、nick、cut、spot、color-changing. |
| 1.3 | 动作类型：轻触返回
Type of actuation: Tactile feedback. |

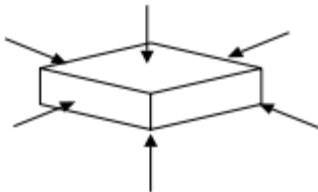
2. 环境条件 Environmental condition

- | | | |
|-----|---------------------------------------|----------|
| 2.1 | 保存温度范围
Storaging temperature range | -20~+70℃ |
| 2.2 | 使用温度范围
Operating temperature ran | -10~+60℃ |

3. 电气性能 Electrical Characteristics

	项目 Items	条件 Conditions	规格 Criteria
3.1	额定负荷 Rated load	允许电流电压范围 Shows allowable current range.	DC12V 0.1A
3.2	接触电阻 Contact resistance	用 1KHz 小电流接触电阻仪测量。 Measurements shall be made with a 1 kHz small-current contact resistance meter.	≤500mΩ
3.3	绝缘电阻 Insulation Resistance	开回路状态下在两端子间施加电压 DC 100V 保持 1 分钟进行测定。 Shall be measured by applying 100V DC between two terminals for 1 minute.	≥100MΩ

品名：微动开关 NAME: Micro Switch		型号：XB-TM-V-206KT Part No: XB-TM-V-206KT	
3.4	耐电压 Withstand voltage	开回路端子间施加电压 AC100V 保持 1 分钟 漏电流：2mA 100V AC shall be applied between terminals for 1 minute (Leak current:2mA)	绝缘无破坏 No dielectric breakdown shall occur
4. 机械性能 Mechanical Characteristics			
	项目 Items	条件 Conditions	规格 Criteria
4.1	动作力 Action force	开关的动作方向为垂直放置开关向推柄中心逐渐增加负荷直到推柄停止时所测量的最大负荷。 Placing the switch such that the direction of switch operation is vertical and then gradually increasing the load applied to the center of the stem, the maximum load required for the stem to come to a stop shall be measured.	≤0.5N
4.2	静止强度 Stop Strength	开关的动作方向为垂直放置开关，在推柄动作方向施加 3N 的静负荷，15 秒时间。 Placing the switch such that the direction of switch operation is vertical, a static load of 3N shall be applied in the direction of stem operation for a period of 15 seconds.	无机械的和电气的损伤迹象 There shall be no sign of damage mechanically and electrically.
5. 耐久特性 Durability			
	项目 Items	条件 Conditions	规格 Criteria
5.1	耐寿命性 Operating life	额定电压电流 (DC12V 0.1A) 下, 每分钟 60~100 个回次, 作 5 万次后进行测定 50,000 cycles of operation to the total travel position shall be performed at a rate of 60~100 cycle/min with load of rated voltage and current (DC12V 0.1A).	无机械的和电气的损伤迹象 There shall be no sign of damage mechanically and electrically.

品 名：微动开关 NAME: Micro Switch		型 号：XB-TM-V-206KT Part No: XB-TM-V-206KT	
5.2	耐振动性 Vibration	频率 10~50Hz, 振幅 1.5mm, 周期 1 分钟垂直三个方向各振动 5 分钟。 Vibration frequency range: 10~50Hz Total amplitude:1.5mm Sweep ratio:1 minute This motion shall be applied for a period of 5 minute in each of 3 mutually Perpendicular axis.	无机械的和电气的损伤迹象 There shall be no sign of damage mechanically and electrically.
5.3	耐冲击性 Shock	按下列条件进行冲击试验： (1)加速度：50g (2)试验次数：每个方向 3 次，6 个方向共 18 次 (3)时间：11ms Measurements shall be made following the test set forth below: (1)Acceleration: 50g (2)Cycles of test :3 cycles each in 6 directions.for a total of 18 cycles. (3)Time:11ms 	
5.4	耐焊接性 Resistance to Soldering heat	在接下的情况下进行测试： (1) 焊接温度：235±5℃ (2) 焊接时间：3±1 秒 Test each sample switch under the following conditions: (1) Bit temperature : 235±5℃ (2) Application time: 3±1s	
6. 注意事项 PRECAUTIONS			
(1) 进行焊接过程中，不可以用溶剂或类似品清洗开关。 Following the soldering process, do not try to clean the switch with a solvent or the like . (2) 防止助焊剂从开关的顶端渗入。 Safeguard the switch assembly against flux penetration from its topside. (3) 交货后保证开关处于封密状态, 请注意库存时间不要超过 90 天以上。 The product is ensured to keep in close status and kindly noted the storage time not exceed 90 days after delivery.			