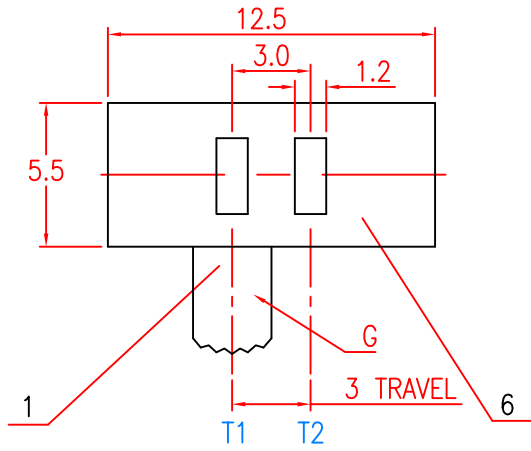
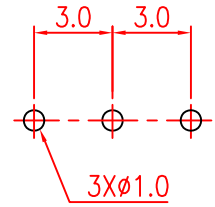


SYMB	REVISION	DATE	APVD.

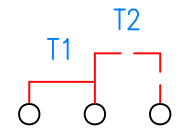
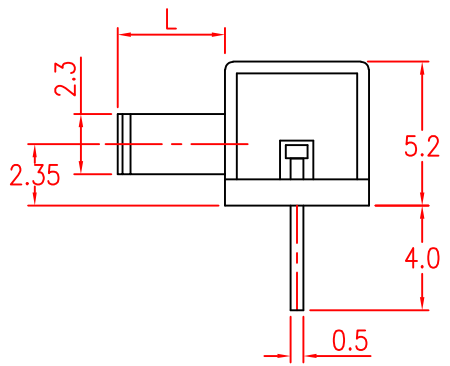
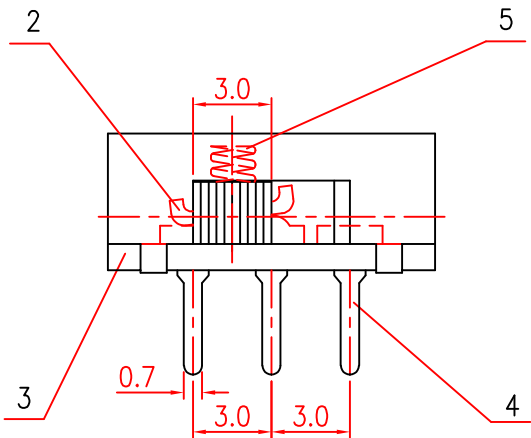


SPECIFICATIONS :

- CONTACTS & TERMINALS ARE GOLD PLATED 0.1um.
- RATING: 50V DC 0.5A
- CONTACT RESISTANCE: 30mOHMS MAX
- INSULATION RESISTANCE: 500Mohms AT 500V DC
- OPERATION FORCE: 250 ± 150g
- SWITCHING LIFE: 10000 CYCLES (6-10 c/m)



P.C.B LAYOUT
TOP VIEW



CIRCUIT

L=5.0mm

TITLE	SLIDE SWITCH	DRAWN	L.Liu	TOLERANCE OTHERWISE UNLESS SPECIFIED	8					
PART NO.	XB-SK-12F01W	CHECKED	G.C.Chen	UP TO 5	±0.2	6	FRAME	SPCC	1	Ni PLATED
DRAW NO.	K3	APPROVED	H.K.Lai	ABOVE 5 ~ 30	±0.3	5	SPRING	STAINLESS STEEL	1	NATURAL
SCALE: 3:1	UNIT: mm	DATE: 16-09-2004		ABOVE 30 ~ 50	±0.4	4	TERMINAL	BRASS STRIP	3	Au 0.1um PLATED
				ABOVE 50	±0.5	3	BASE	PHENOLIC RESIN	1	NATURAL
				ANGLE	±3'	2	CONTACT PLATE	BRONZE	1	Au 0.1um PLATED
						1	KNOB	PA66	1	BLACK
						NO.	PARTS	MATERIAL	QTY.	FINISHING
Copyright Reserved, Please Do Not Copy.									版权所有, 不得翻印.	