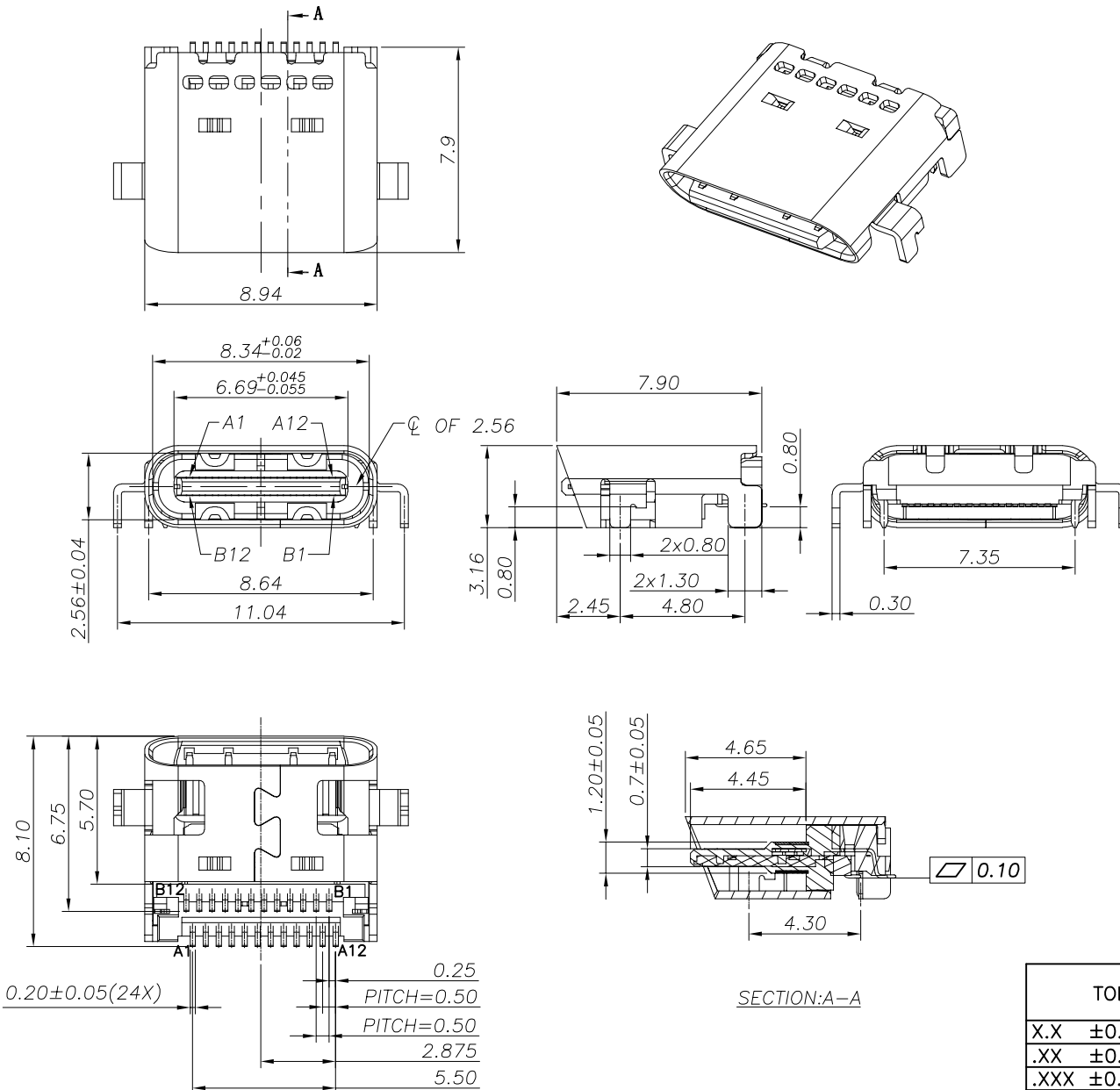


REV.	ECN NO.	DESCRIPTION	DATE	DESIGN
01	---	INITIAL RELEASED	2021.03.11	Neo.Liu
02	---	UPDATE THE DRAWING	2021.04.16	Neo.Liu

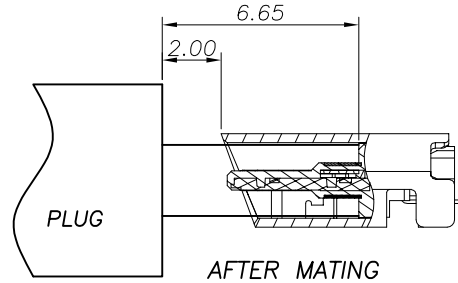
NOTE:

- MATERIAL SPECIFICATION:
 - HOUSING: HIGH TEMPERATURE RESISTANT PLASTIC, UL94 V-0.
 - CONTACTS: COPPER ALLOY
 - MID PLATE: STAINLESS STEEL
 - FRONT SHELL: STAINLESS STEEL
 - EMI PLATE: STAINLESS STEEL
- PLATING SPECIFICATION:
 - CONTACTS:
 - Ni 50u" MIN. UNDER PLATED OVER ALL.
 - Au PLATED ON THE FUNCTIONAL AREA OF CONTACT.
 - (GOLD PLATING THICKNESS FOLLOW THE P/N)
 - PLATING SPECIFICATIONS OF THE SOLDER AREA FOLLOW THE P/N
 - FRONT SHELL:
 - Ni 30u" MIN. UNDER PLATED OVER ALL.
 - MID PLATE:
 - Ni 30u" MIN. UNDER PLATED OVER ALL.
 - Sn 80u" MIN. PLATED OVER ALL
 - EMI PLATE:
 - CLEAR ONLY
- MECHANICAL PERFORMANCE,
 - INSERTION FORCE: 0.5~2.0kgf.
 - REMOVAL FORCE: 0.8kgf~2.0kgf.
 - DURABILITY: 10000 CYCLES.
- ELECTRICAL PERFORMANCE,
 - CURRENT RATING: 5.0A
VOLTAGE RATING: 5.0V
 - LLCR:
 - VBUS & GND PINS AND OTHER PINS: 40mΩ/PIN MAX.
 - SHIELD: 50mΩ/MAX.
 - LLCR MAX. CHANGE OF ALL PINS: 10mΩ.
 - INSULATION RESISTANCE: 100MΩ MIN
 - DIELECTRIC WITHSTAND VOLTAGE, AC 100V FOR 1 MINUTE.
- ENVIRONMENTAL PERFORMANCE:
 - OPERATING TEMPERATURE: -25°C~+85°C.
- R REFLOW:
 - THE PEAK TEMPERATURE ON THE BOARD SHALL BE MAINTAINED FOR 10 SECONDS AT 260°C.



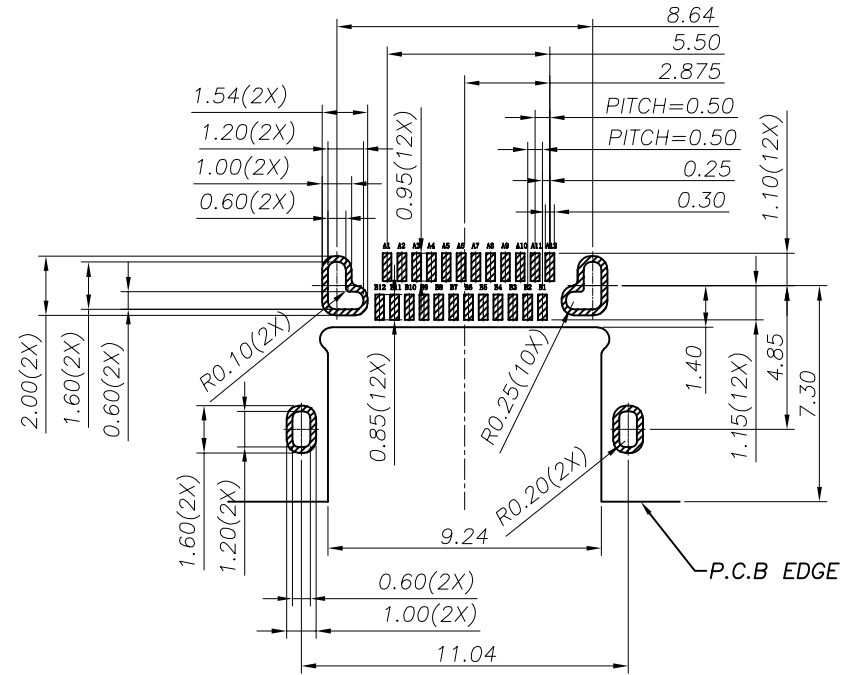
TOLERANCE		NAME (INTENDED USE) CUSTOMER DRAWING	东莞市溪榜电子有限公司 DONG GUAN XI BANG ELECTRONI CS CO., LTD.		
X.X ±0.30	X.* ±10°	PART NO.	TITLE: USB CF 24PIN SMT TYPE MID-MOUNT 0.8		
.XX ±0.20	.X* ± 8°	-----	DRAWG NO.		
.XXX ±0.10	.XX* ± 5°	DESIGN: Neo.Liu	XB-ACF008-2R		
UNITS	mm	CHEG:	SCALE SHEET REV.		
MATERILA	----	APPD:	1:1	1/3	02
FINISH	----				

REV.	ECN NO.	DESCRIPTION	DATE	DESIGN
01	---	INITIAL RELEASED	2021.03.11	Neo.Liu
02	---	UPDATE THE DRAWING	2021.04.16	Neo.Liu



USB TYPE-C PIN ASSIGNMENTS

PIN NUMBER	SIGNAL NAME	PIN NUMBER	SIGNAL NAME
A1	GND	B12	GND
A2	SSTXp1	B11	SSRXp1
A3	SSTXn1	B10	SSRXn1
A4	VBUS	B9	VBUS
A5	CC1	B8	SBU2
A6	Dp1	B7	Dn2
A7	Dn1	B6	Dp2
A8	SBU1	B5	CC2
A9	VBUS	B4	VBUS
A10	SSRXn2	B3	SSTXn2
A11	SSRXp2	B2	SSTXp2
A12	GND	B1	GND



RECOMMENDED PCB LAYOUT(TOP VIEW)
THICKNESS 0.60MM;DEFAULT TOLERANCE:±0.05

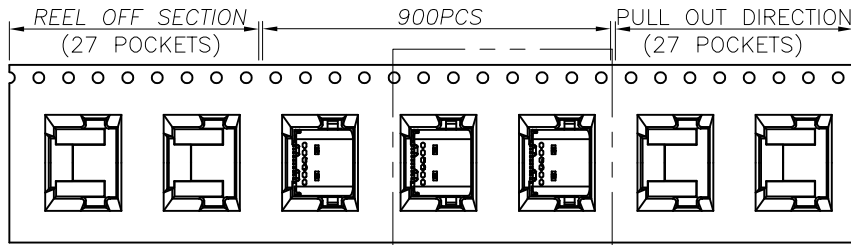
ORDER INFORMATION

P/N: ACF008-2E1H1A1**-0HR

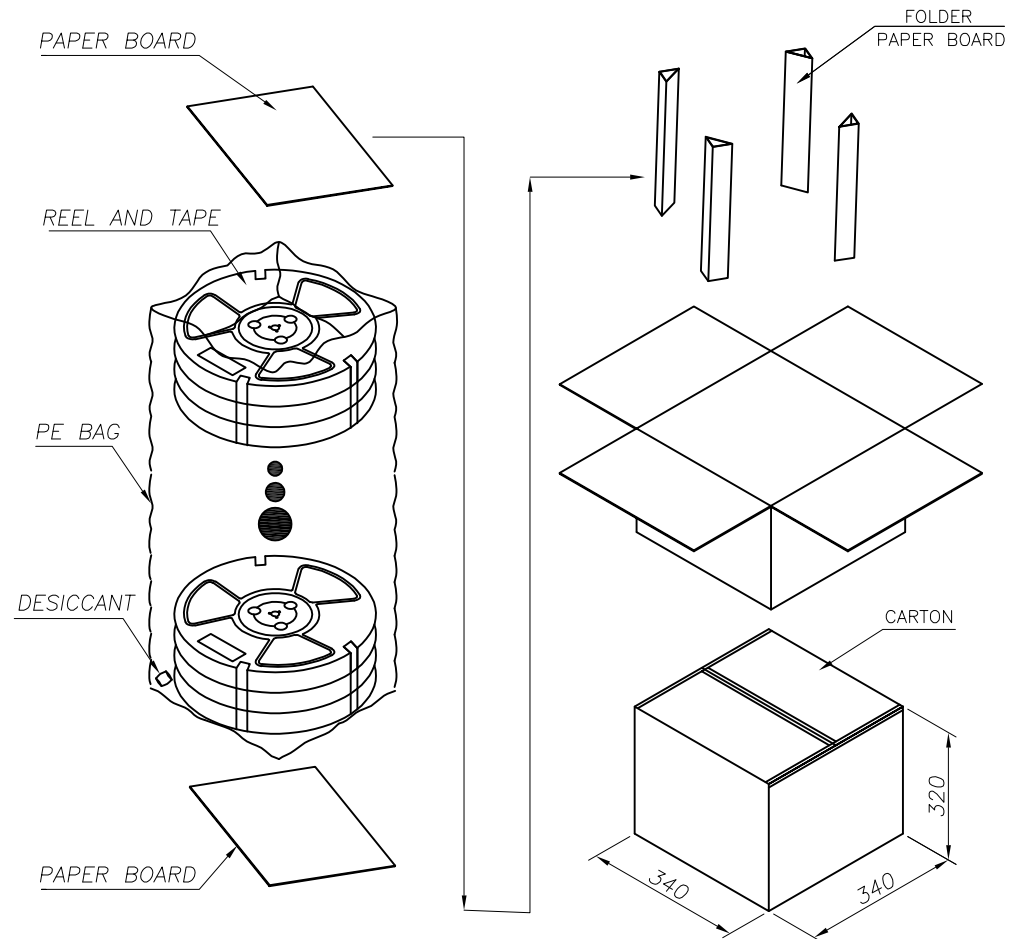
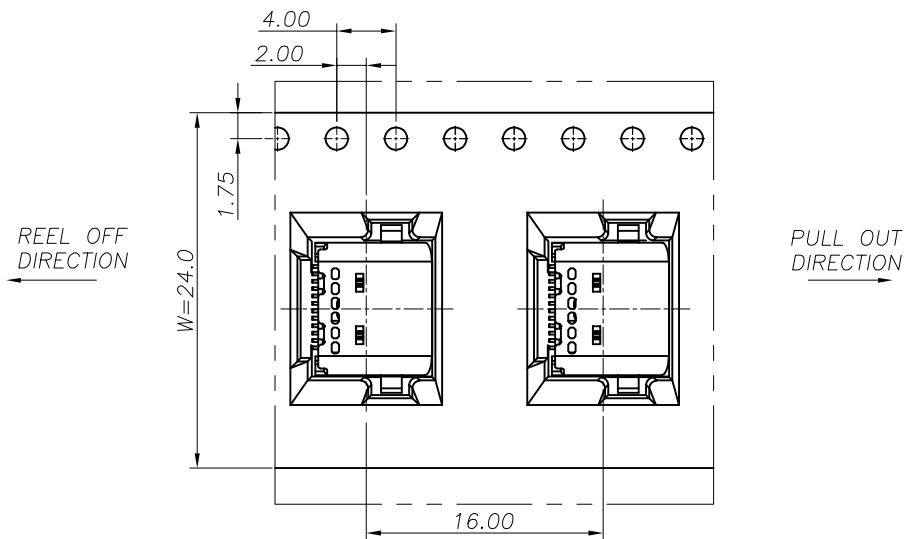
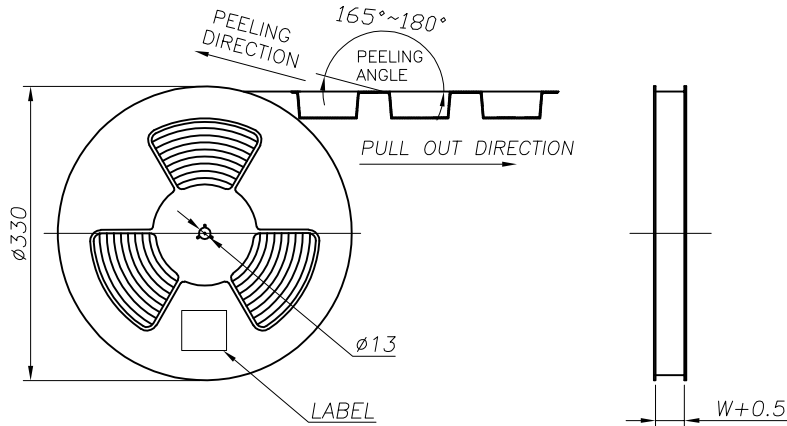
HOUSING MATERIAL	A: LCP E: PA9T	H: HF
HOUSING COLOR	1: BLACK	CONTACT FUNCTIONAL AREA PLATED
SHELL PLATING	1: Ni	03: Au 3u" 15: Au 15u" 30: Au 30u"
CONTACT MATERIAL	A: C1814	CONTACT SOLDER AREA PLATED
		1: Au 1u"

TOLERANCE		NAME(INTENDED USE) CUSTOMER DRAWING	东莞市溪榜电子有限公司 DONG GUAN XI BANG ELECTRONICS CO., LTD.		
X.X ±0.30	X.* ±10°	PART NO.	TITLE: USB CF 24PIN SMT TYPE MID-MOUNT 0.8		
.XX ±0.20	.X* ± 8°	DESIGN: Neo.Liu	DRAWG NO.		
.XXX ±0.10	.XX* ± 5°	CHED:	XB-ACF008-2R		
UNITS	mm	APPD:	SCALE	SHEET	REV.
MATERILA	----		1:1	2/3	02
FINISH	----				


REV.	ECN NO.	DESCRIPTION	DATE	DESIGN
01	---	INITIAL RELEASED	2021.03.11	Neo.Liu
02	---	UPDATE THE DRAWING	2021.04.16	Neo.Liu



SEE DETAIL X



	REEL	CARTON
CONNECTOR (PCS)	900	9000

TOLERANCE		NAME(INTENDED USE) CUSTOMER DRAWING	 东莞市溪榜电子有限公司 DONG GUAN XI BANG ELECTRONI CS CO., LTD.
X.X ±0.30	X.* ±10°	PART NO. -----	
.XX ±0.20	.X* ± 8'	DESIGN: Neo.Liu	DRAWG NO. XB-ACF008-2R
.XXX ±0.10	.XX* ± 5'	CHED:	SCALE SHEET REV.
UNITS	mm	APPD:	1:1 3/3 02
MATERILA	----		
FINISH	-----		