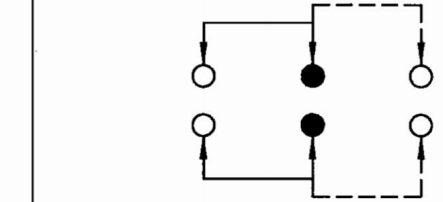
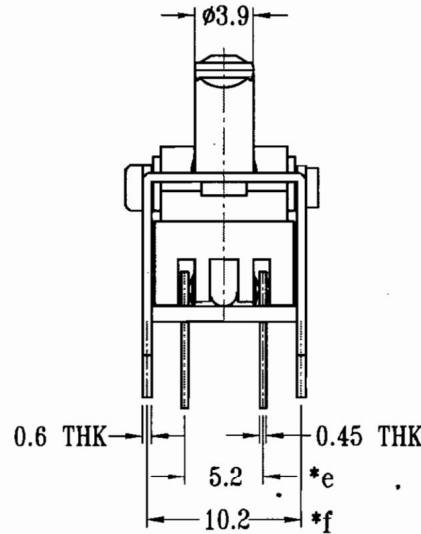
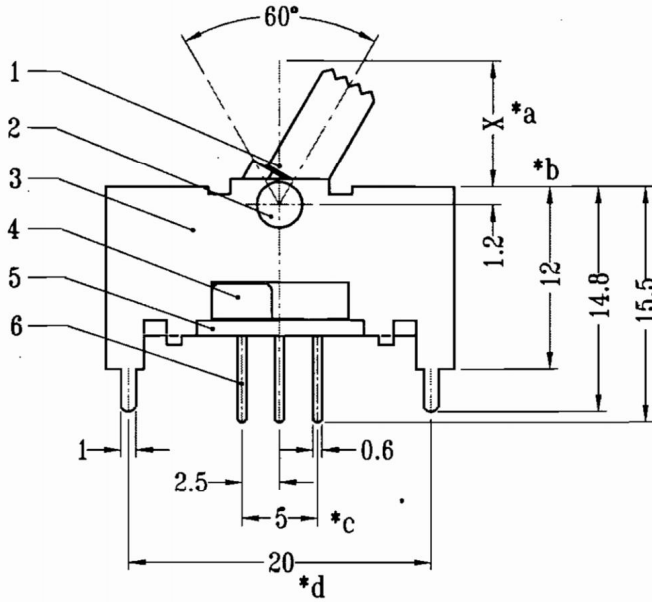
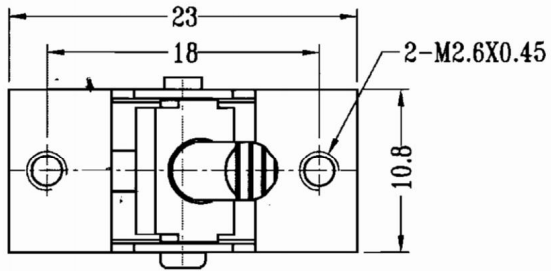
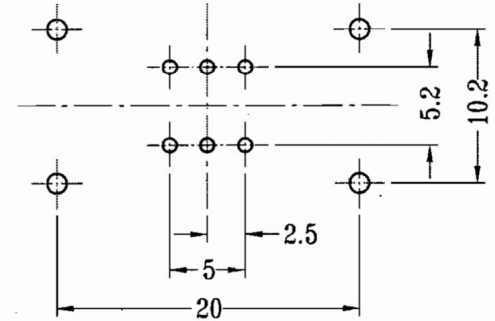


CAD FILE:



SCHEMATIC (SHORTING)

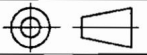


P.C.B LAYOUT  
BOTTOM VIEW

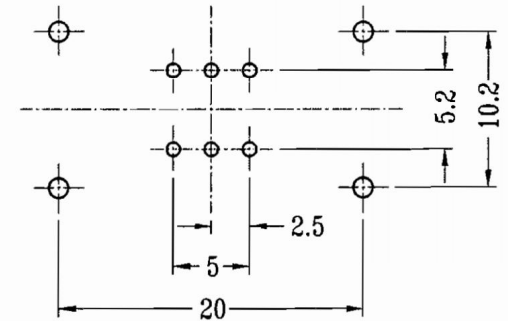
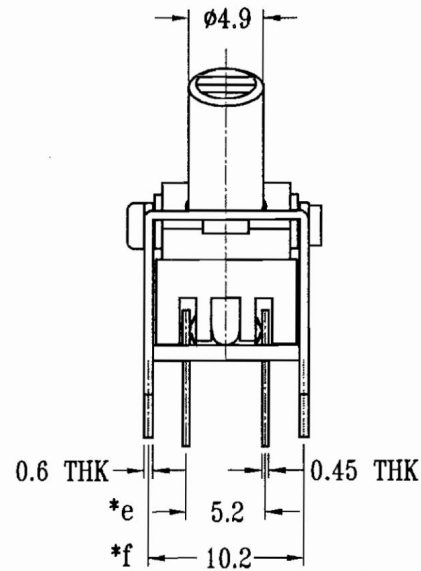
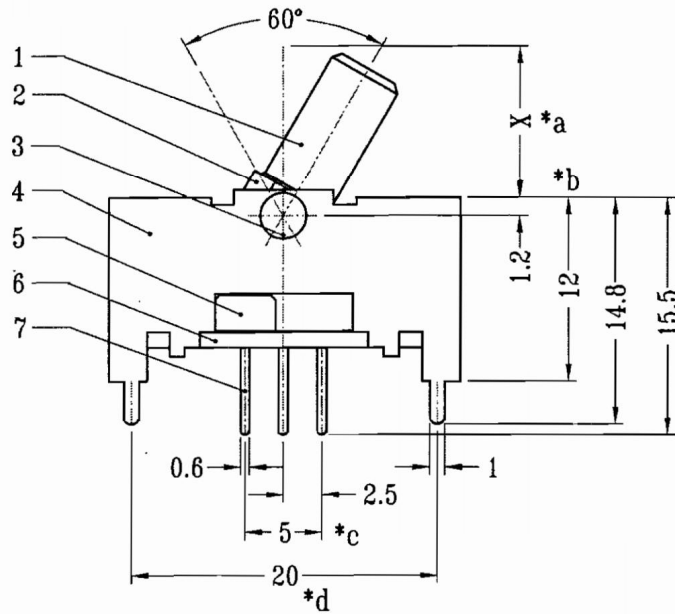
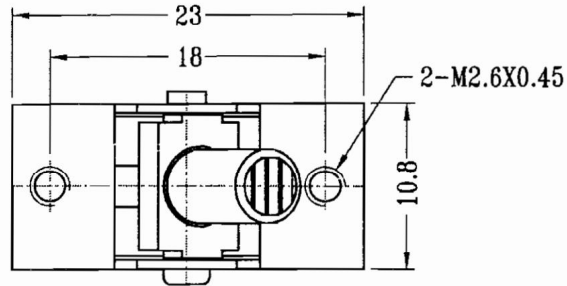
注：“\*”表示关键尺寸(6个).

9	CONTACT CLIP	PBS STRIP	2	Ag PLATED
8	BAR	POM	1	WHITE
7	SPRING	STEEL WIRE	1	NATURAL
6	TERMINAL	BRASS STRIP	6	Ag PLATED OVER Ni PLATED
5	BASE	PHENOLIC RESIN	1	NATURAL
4	SLIDER	POM	1	BLACK
3	FRAME	STEEL STRIP	1	Ni PLATED
2	RIVET	COPPER	1	Ni PLATED
1	KNOB	PC	1	BLACK
NO.	PARTS	MATERIALS	Q'TY	FINISH

TOLERANCE UNLESS SPECIFIED				
WITHIN 1.5mm : ±0.1mm	A	14-Oct-2011	初版	
OVER 1.5mm : ±0.2mm	ISSUE	DATE	DESCRIPTIONS OF REVISION	APPD.
TITLE : TDGGLE SWITCH		UNIT : mm	DRWG NO.: XB-TGS-22E01	
MODEL: XB-TGS-22E01		SCALE: 2:1	DWN. 甘胜君	14-Oct-2011
DONG GUAN XI BANG ELECTRONI CS CO., LTD.			CHK'D 叶清松	14-Oct-2011
			APPD.	14-Oct-2011



CAD FILE:



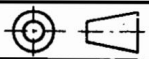
SCHMATIC (SHORTING)

P.C.B LAYOUT  
BOTTOM VIEW

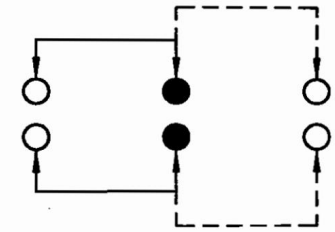
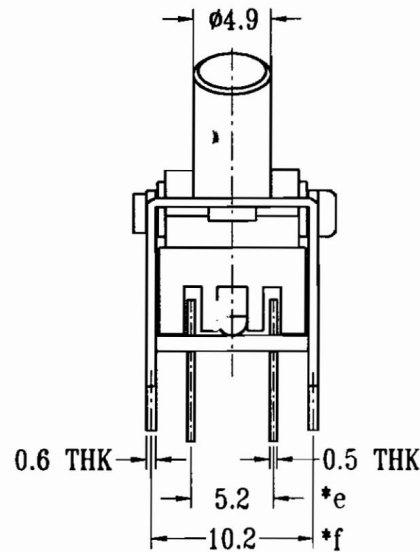
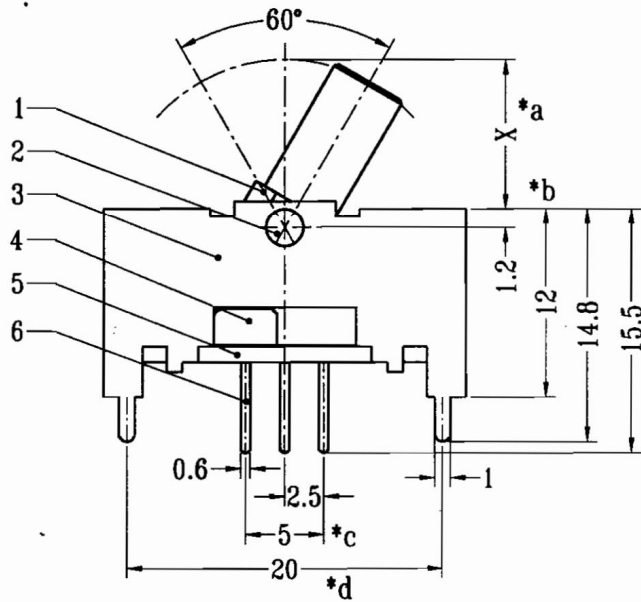
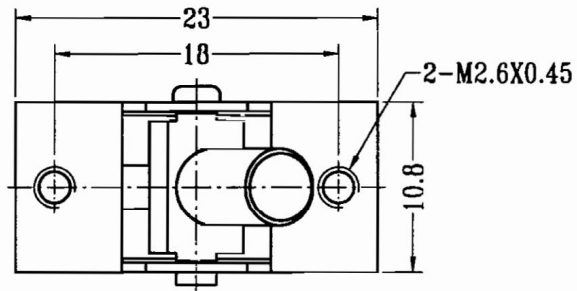
注：“\*”表示关键尺寸(6个).

NO.	PARTS	MATERIALS	Q'TY	FINISH
10	CONTACT CLIP	PBS STRIP	2	Ag PLATED
9	BAR	POM	1	WHITE
8	SPRING	STEEL WIRE	1	NATURAL
7	TERMINAL	BRASS STRIP	6	Ag PLATED OVER Ni PLATED
6	BASE	PHENOLIC RESIN	1	NATURAL
5	SLIDER	POM	1	BLACK
4	FRAME	STEEL STRIP	1	Ni PLATED
3	RIVET	COPPER	1	Ni PLATED
2	KNOB	PC	1	BLACK
1	SLEEVE	ALUMINIUM	1	NATURAL

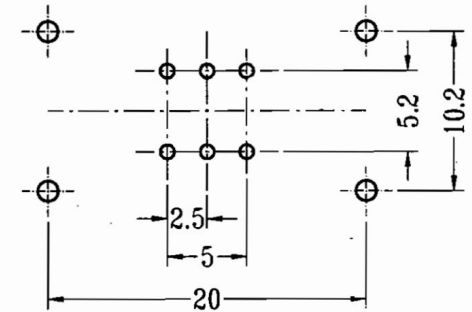
TOLERANCE UNLESS SPECIFIED					
WITHIN 1.5mm : ±0.1mm	A	23-Jun-2011	初版		MDV
OVER 1.5mm : ±0.2mm	ISSUE	DATE	DESCRIPTIONS OF REVISION		APPD.
TITLE : TDGGLE SWITCH		UNIT : mm	DRWG NO.: XB-TGS-22E01-A		
MODEL: XB-TGS-22E01-A		SCALE: 2:1	DWN.	馬燕秋	23-Jun-2011
DONG GUAN XI BANG ELECTRONI CS CO., LTD.			CHK'D	卢世全	23-Jun-2011
			APPD.	MDV	23-Jun-2011



CAD FILE:



SCHEMATIC (SHORTING)



P.C.B LAYOUT

注: "\*"表示關鍵尺寸(6個)

10	KNOB	PC	1	BLACK
9	CONTACT CLIP	PBS STRIP	2	Ag PLATED
8	BAR	POM	1	WHITE
7	SPRING	STEEL WIRE	1	NATURAL
6	TERMINAL	BRASS STRIP	6	Ag PLATED OVER Ni PLATED
5	BASE	PHENOLIC RESIN	1	NATURAL
4	SLIDER	POM	1	BLACK
3	FRAME	STEEL STRIP	1	Ni PLATED
2	RIVET	COPPER	1	Ni PLATED
1	SLEEVE	ALUMINIUM	1	NATURAL
NO.	PARTS	MATERIALS	Q'TY	FINISH

TOLERANCE				
UNLESS SPECIFIED				
WITHIN 1.5mm	: ±0.1mm	A	30-Apr-2005	初版
OVER 1.5mm	: ±0.2mm	ISSUE	DATE	APPD.
TITLE : TOGGLE SWITCH			UNIT : mm	DRWG NO.: XB-TGS-22E01-T
MODEL: XB-TGS-22E01-T			SCALE: 2:1	DWN. 陳麗冰 30-Apr-2005
DONG GUAN XI BANG ELECTRONI CS CO., LTD.			APPD. 黃子傑	30-Apr-2005