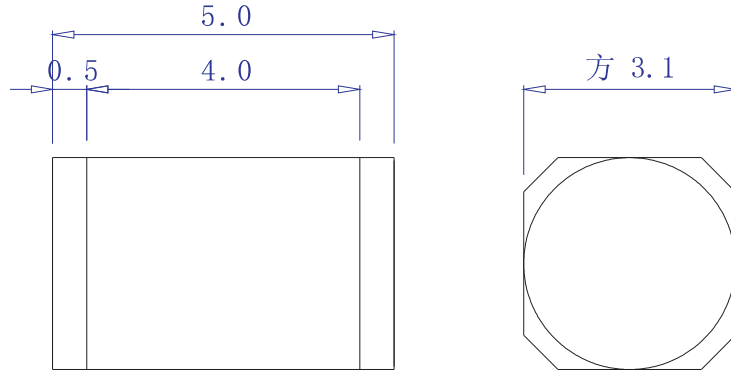


产品规格书 Product Details specification

Product Name	File No.	Version	Date	Page
XB-SW-3150振动传感元件	XB-SW-3D-183	A3	2023.01.28	4/5

■ SIZE尺寸

Unit: mm,
Tolerance ± 0.15



■ Note 注意事项

1.If the product used for high security products and durability of extremely high equipment (such as life safety equipment, aviation facilities, disaster prevention device), please confirm whether a share, can seek advice our company for details.

如果该产品要用于高安全性产品及耐久性极高的设备中（如生命安全设备、航空设施、防灾装置），请确认是否合用，或咨询我司了解详情。

2.In case of fire, Please do not overload applicable.
请勿超负荷使用，以防发生火灾。

3.The welding temperature or time more than standard, can cause switch collapse.
焊接温度或时间超过规范时，会造成开关解体。

4.Do not use water solubility flux. May cause damage to the switch.
勿使用水溶性助焊剂、可能会造成开关损坏。

5.Do not use solvent wash switch.
勿使用溶剂清洗开关。

6.This switch conduction rate of 98% (conductivity rate per 100 times value switchactions, can good conduction ratio).
本开关导通率为98%以上（导通率是指开关每100次动作中，可以良好导通的比率）。

7.Xibang company is only responsible for the defective problems of the product itself, return and exchange the defective products, and does not bear other joint and several expenses.

溪榜公司只承担本产品本身不良问题,对不良品进行退换货,不承担其它连带费用责任。