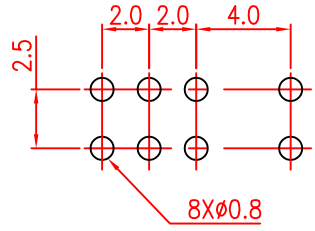
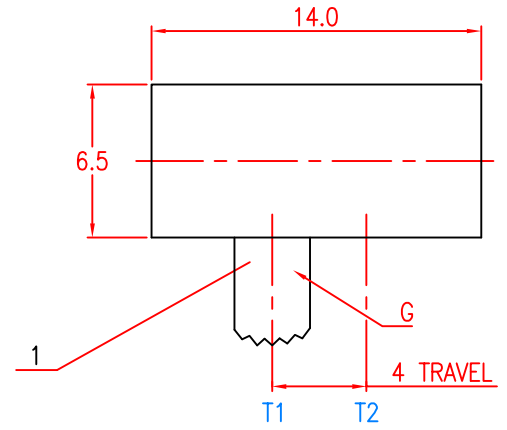
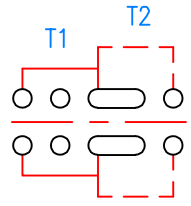
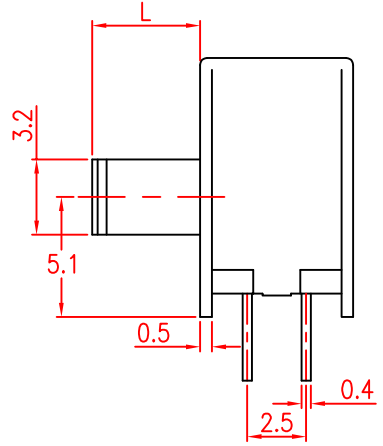
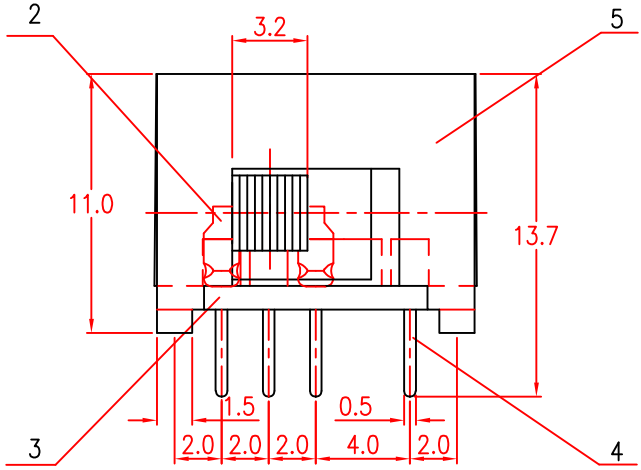


REVISION A

SYMB	REVISION	DATE	APVD.



P.C.B LAYOUT  
TOP VIEW

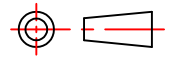


CIRCUIT

L=5.0mm

TITLE	SLIDE SWITCH	DRAWN	TOLERANCE OTHERWISE UNLESS SPECIFIED	8				
PART NO.	XB-SK-22H10	CHECKED	UP TO 5	±0.2	6			
DRAW NO.	K234	APPROVED	ABOVE 5 ~ 30	±0.3	5	FRAME	SPCC	1 Ni PLATED
SCALE	3:1	UNIT mm	DATE	27-5-2009	4	TERMINAL	C2680	8 Ag PLATED
					3	BASE	PHENOLIC RESIN	1 NATURAL
					2	CONTACT PLATE	C5210	2 Ag PLATED
					1	KNOB	POM	1 BLACK
					NO.	PARTS	MATERIAL	QTY. FINISHING

**XB 东莞市溪榜电子有限公司**  
DONG GUAN XI BANG ELECTRONICS CO., LTD.



Copyright Reserved, Please Do Not Copy. 版权所有, 不得翻印.