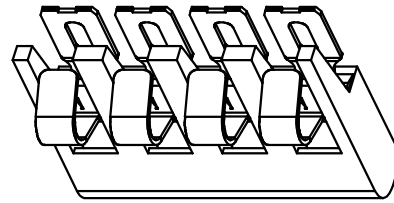
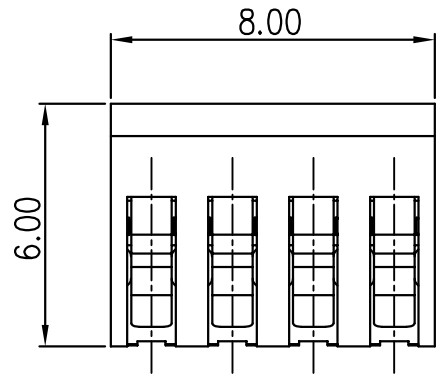
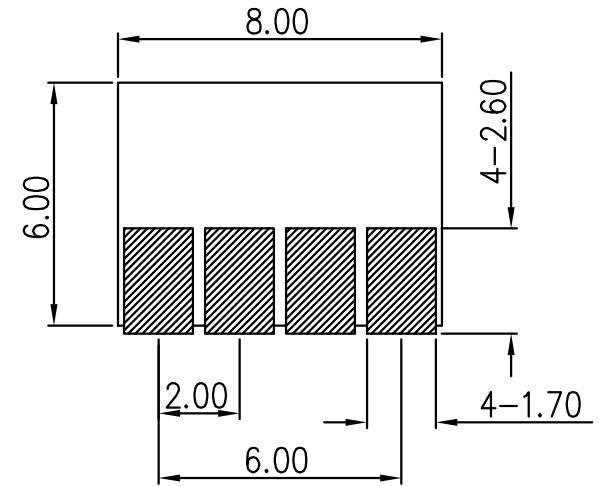


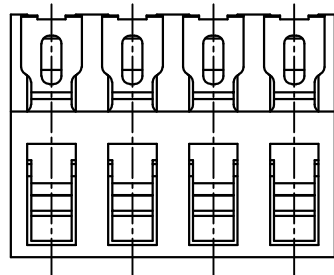
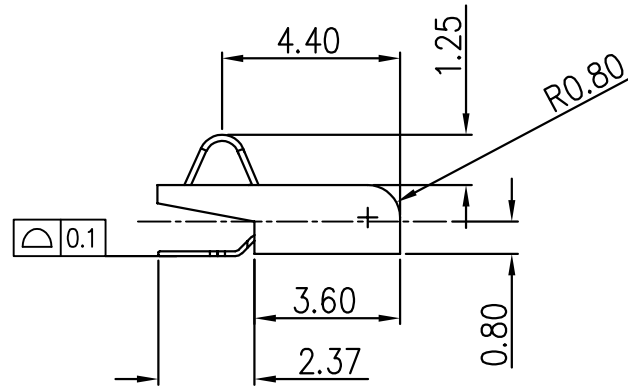
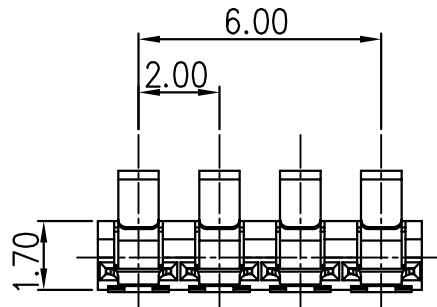
REV.	ECN NO.	DESCRIPTION	DESIGN	DATE
A		INITIAL	Lucky	2019.08.21



3D VIEW



P.C.B LAYOUT
TOP VIEW



NOTES:

- 1 Rated current: 0.5A
- 2 Rated voltage: 30V
- 3 Contact Resistance: 50mΩ MAX
- 4 Insulation Resistance: 100MΩ MIN 100V DC
- 5 Dielectric withstanding voltage: 100V AC.
- 6 Durability: 5000 Cycles Min.

UNLESS OTHERWISE SPECIFIED TOLERANCES

XB 东莞市溪榜电子有限公司
DONG GUAN XI BANG ELECTRONICS CO., LTD.

DECIMALS:		ANGLES:		DWG NO.	PART NAME:
DIM	TOL	DIM	TOL	DESIGN: Lucky	BATTERY 4PIN PH: 4.0mm SMT TYPE
X.	±0.50	X.	±2°	2019.08.21	PART NO.
X.X	±0.30	X.X	±1°	CHECK:	XB-BTJR0005-F04G3BR-A
X.XX	±0.20	X.XX	—	APPROVED	REV. UNIT: SHEET:
X.XXX	±0.10	X.XXX	—		A mm 1/1

ITEM	NAME	Q'TY	DESCRIPTION	NOTE
2	HOUSING	1	HIGHT TEMPERATURE PLASTIC	
1	TERMINAL	4	PHOSPHOR BRONZE; NICKEL UNDER PLATING OVERALL.GOLD FLASH PLATING ON SOLDER AREA ;GOLD PLATING ON CONTACT AREA	T=0.15