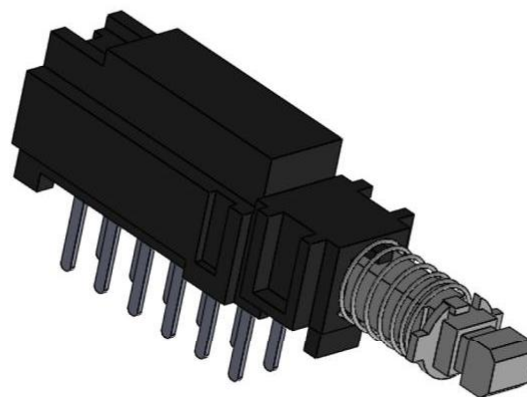
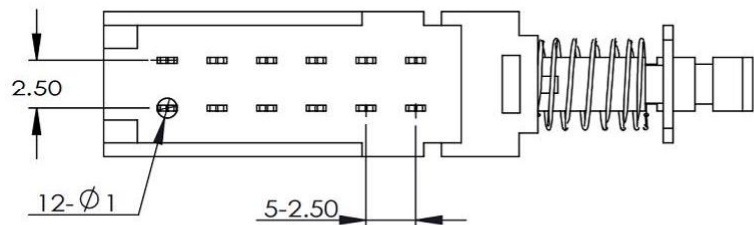
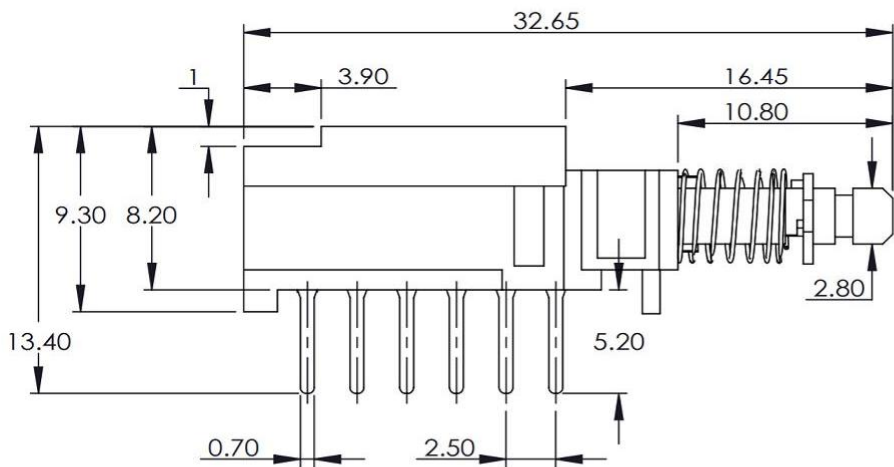
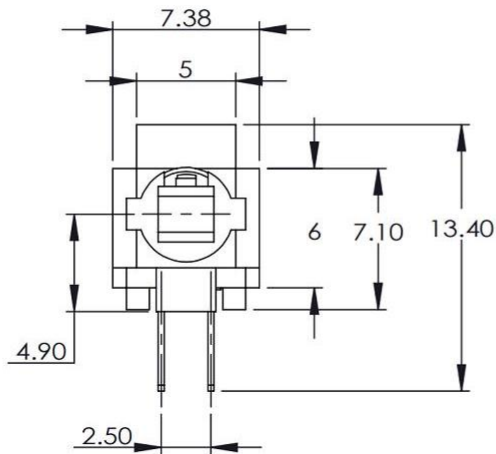
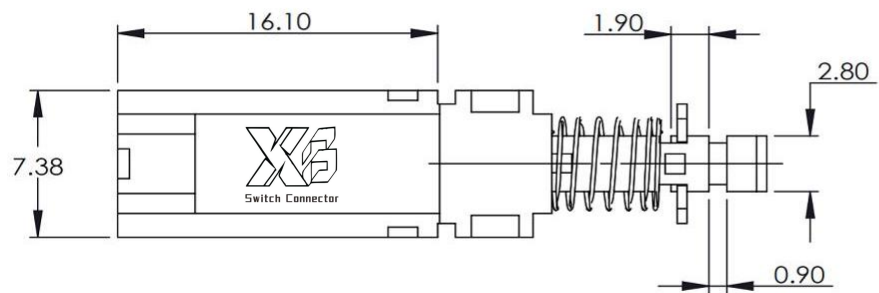
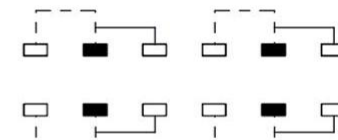


CAD FILE:



原理图



SCHEMATIC (NON-SHORTING)

规格：

- 1.使用功率：DC50V 0.3A
- 2.接触电阻：30m ohm max
- 3.绝缘电阻：250M ohm at 500V DC
- 4.抵抗电压：AC 500V
- 5.使用寿命：10,000cycles

注：“*”表示关键尺寸(5个).

NO.	PARTS	MATERIALS	Q'TY	FINISH
10				
9	SPRING PLATE	PBS STRIP	1	NATURAL
8	CONTACT CLIP	PBS C5210R-EH	2	Ag CLAD
7	CAM STICK	BRASS WIRE	1	Ni PLATED
6	TERMINAL	BRASS STRIP	6	Ag PLATED
5	BASE	PPA	1	BLACK
4	COVER	PC	1	BLUE
3	SPRING	STEEL WIRE	1	Ni PLATED
2	BLOCK	STEEL STRIP	1	Ni PLATED
1	KNOB	PA66	1	BLACK

TOLERANCE					
UNLESS SPECIFIED					
WITHIN 1.5mm	±0.1mm	A	2019-08-01	初版	CHEN ZENQ
OVER 1.5mm	±0.2mm	ISSUE	DATE	DESCRIPTIONS OF REVISION	APPD.
TITLE : PLASTIC PUSH SWITCH			UNIT : mm	DRWG NO.: XB-PBS-42D01	
MODEL: XB-PBS-42D01			SCALE: 3:1	DWN.	余丽珍 2019-08-01
东莞市溪榜电子有限公司 DONG GUAN XI BANG ELECTRONI CS CO., LTD.			CHK'D	CHEN ZENQ	2019-08-01
			APPD.		