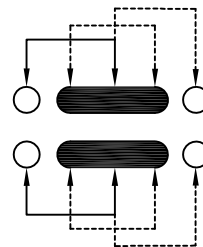
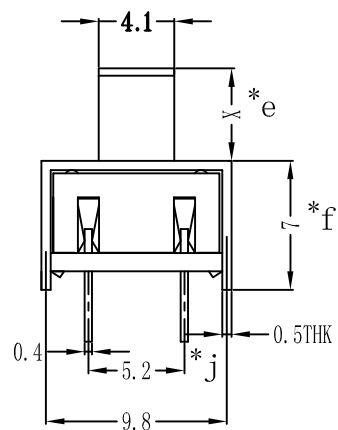
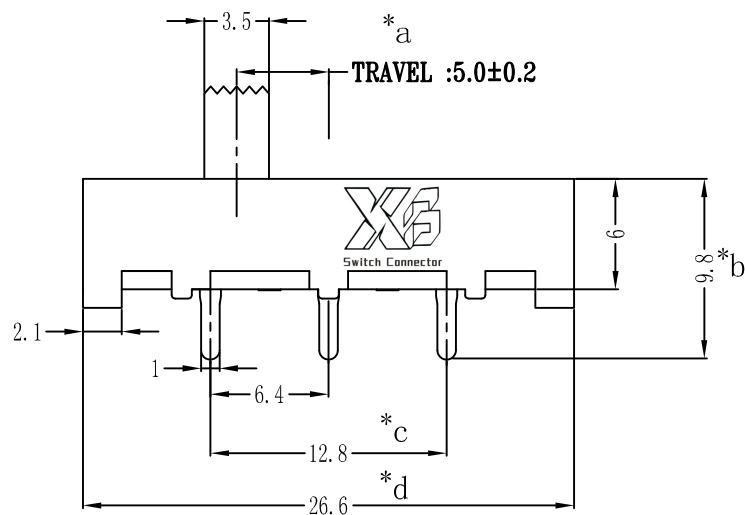
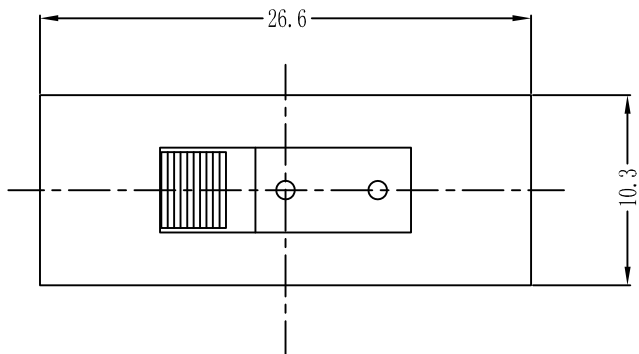
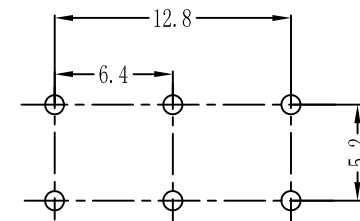


CAD FILE:



**SCHEMATIC (NON-SHORTING)**



**P. C. B LAYOUT  
BOTTOM VIEW**

注: "\*"表示关键尺寸(7个)

NO.	PARTS	MATERIALS	Q'TY	FINISH	TOLERANCE UNLESS SPECIFIED			
8								
7	STEEL BALL	STEEL	1	NATURAL				
6	SPRING	STEEL WIRE	1	NATURAL				
5	CONTACT CLIP	PBS STRIP	2	Ag PLATED	WITHIN 1.5mm : ±0.1mm OVER 1.5mm : ±0.2mm	A	2015-3-18	初版
4	TERMINAL	BRASS STRIP	6	Ag PLATED		ISSUE	DATE	曾鹏
3	BASE	PHENOLIC RESIN	1	NATURAL	TITLE : VERTICAL SLIDE SWITCH		UNIT : mm	DRWG NO.: XB-SS-23J02
2	FRAME	STEEL STRIP	1	Ni PLATED	MODEL: XB-SS-23J02		SCALE: 1:1	DWN. 张俊 2015-3-18
1	KNOB	POM	1	BLACK	<b>东莞市溪榜电子有限公司</b> DONG GUAN XI BANG ELECTRONI CS CO., LTD.			CHK'D 黄锦效 2015-3-18