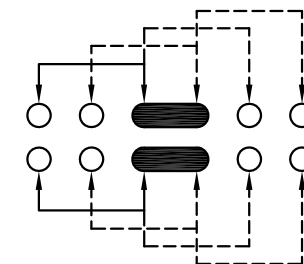
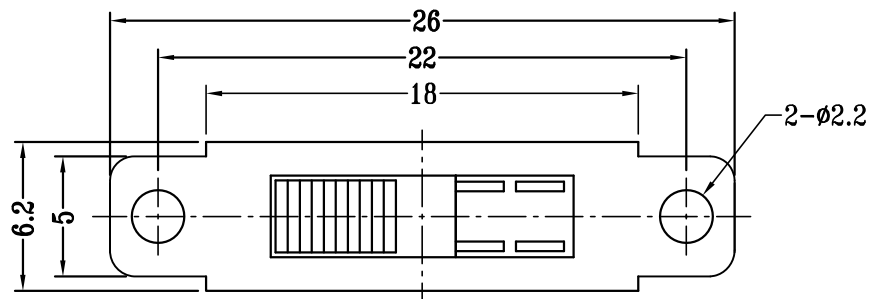
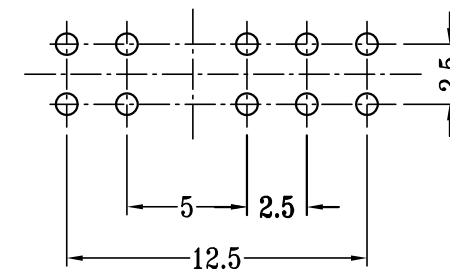
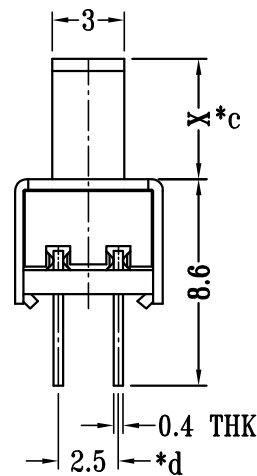
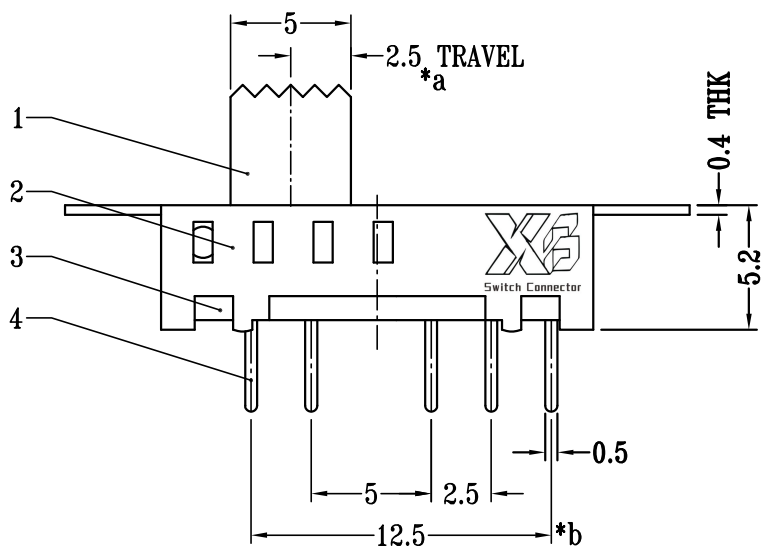


CAD FILE:



SCHEMATIC (SHORTING)



P.C.B LAYOUT
BOTTOM VIEW

注: "*"表示关键尺寸(4个)

NO.	PARTS	MATERIALS	Q'TY	FINISH	TOLERANCE UNLESS SPECIFIED			
8								
7	STEEL BALL	STEEL	2	NATURAL				
6	SPRING	STEEL WIRE	1	NATURAL	WITHIN 1.5mm : ±0.1mm	A	2012-10-31	初版
5	CONTACT CLIP	PBS STRIP	2	Ag CLAD	OVER 1.5mm : ±0.2mm	ISSUE	DATE	曾鹏
4	TERMINAL	BRASS STRIP	10	Ag PLATED	TITLE : VERTICAL SLIDE SWITCH			UNITS : mm
3	BASE	PHENOLIC RESIN	1	NATURAL	MODEL: XB-SS-24E04			DRWG NO.: XB-SS-24E04
2	FRAME	STEEL STRIP	1	Ni PLATED		SCALE: 3:1	DWN.	吴开庆
1	KNOB	PA66	1	BLACK			APPD.	黄锦效
								2012-10-31
								2012-10-31



东莞市溪榜电子有限公司
DONG GUAN XI BANG ELECTRONICS CO., LTD.

CHK'D 黄锦效 2012-10-31
APPD. 曾鹏 2012-10-31