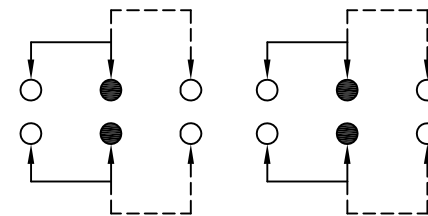
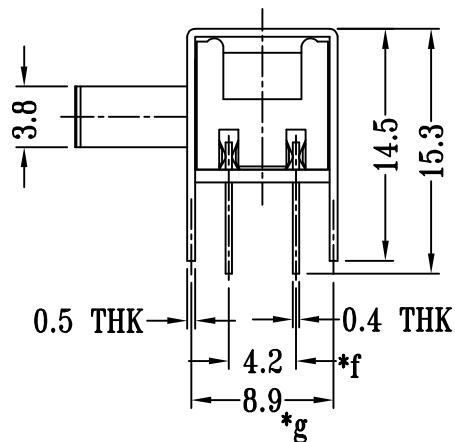
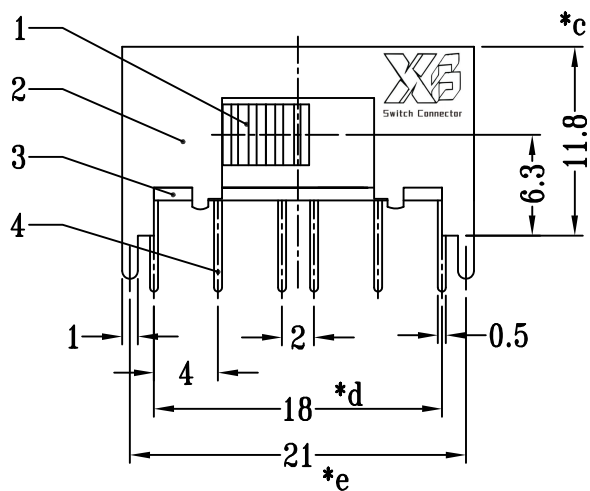
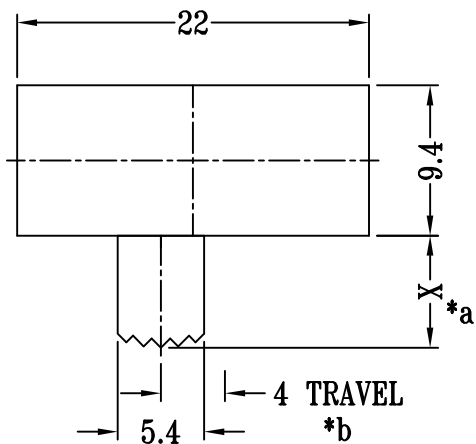
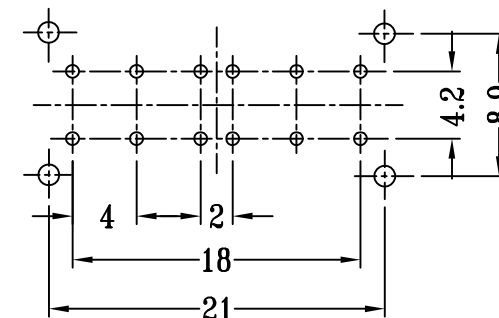


CAD FILE:



SCHEMATIC (NON-SHORTING)



P.C.B LAYOUT  
BOTTOM VIEW

注：“\*”□表示关键尺寸(7个).

8									
7	STEEL BALL	STEEL	1	NATURAL	TOLERANCE UNLESS SPECIFIED				
6	SPRING	STEEL WIRE	1	TEMPER	WITHIN 1.5mm : ±0.1mm	A	2013-04-25	初版	
5	CONTACT CLIP	PBS STRIP	4	Ag PLATED	OVER 1.5mm : ±0.2mm	ISSUE	DATE	DESCRIPTIONS OF REVISION	
4	TERMINAL	BRASS STRIP	12	Ag PLATED	TITLE : HORIZONTAL SLIDE SWITCH		UNIT : mm	DRWG NO.: XB-SK-42H13	
3	BASE	PHENOLIC RESIN	1	NATURAL	MODEL: XB-SK-42H13		SCALE: 2:1	DWN.	
2	FRAME	STEEL STRIP	1	Ni PLATED	<b>东莞市溪榜电子有限公司</b> DONG GUAN XI BANG ELECTRONICS CO., LTD.		CHK'D		
1	KNOB	POM	1	BLACK			APPD.		
NO.	PARTS	MATERIAL	Q'TY	FINISH					