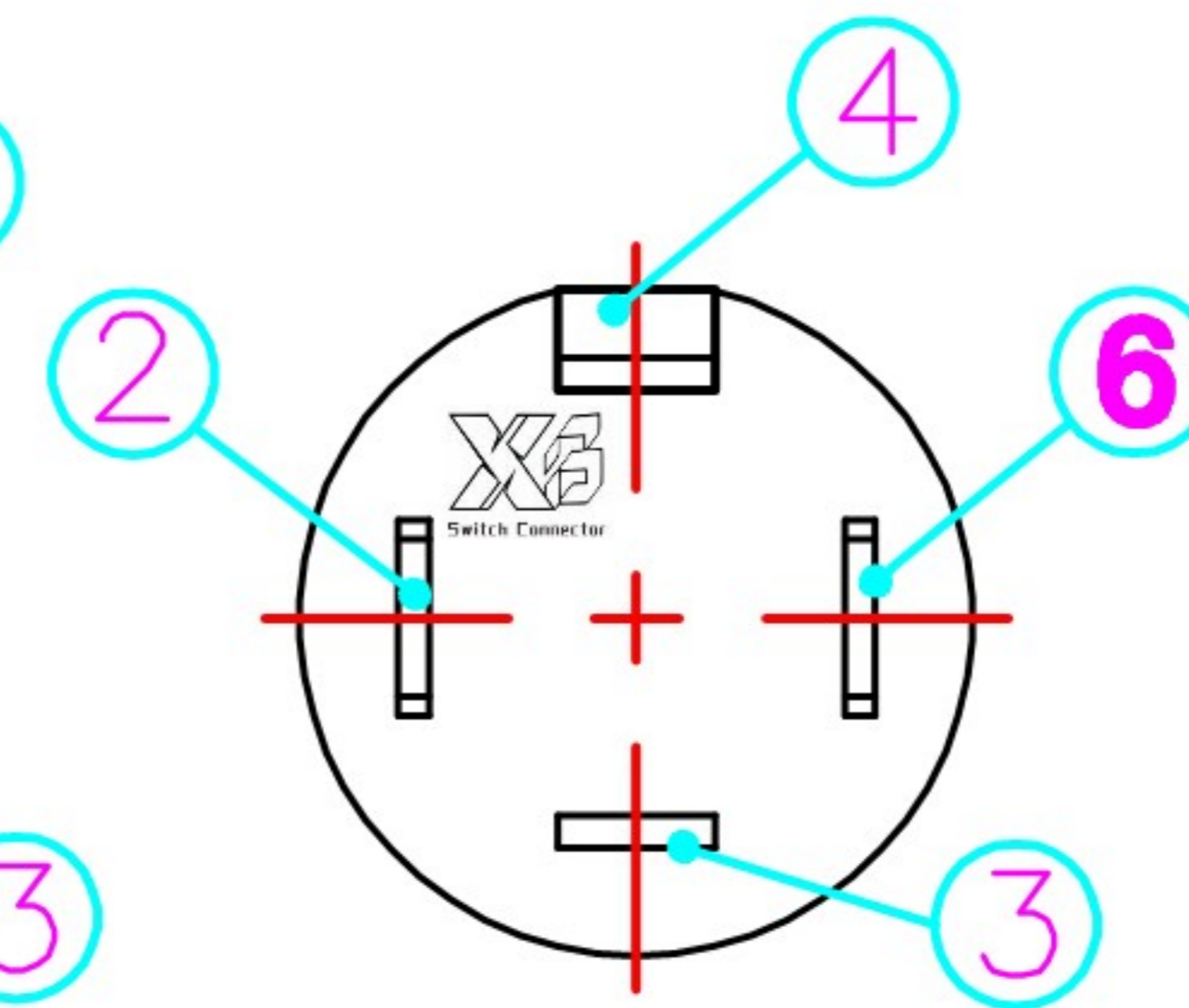
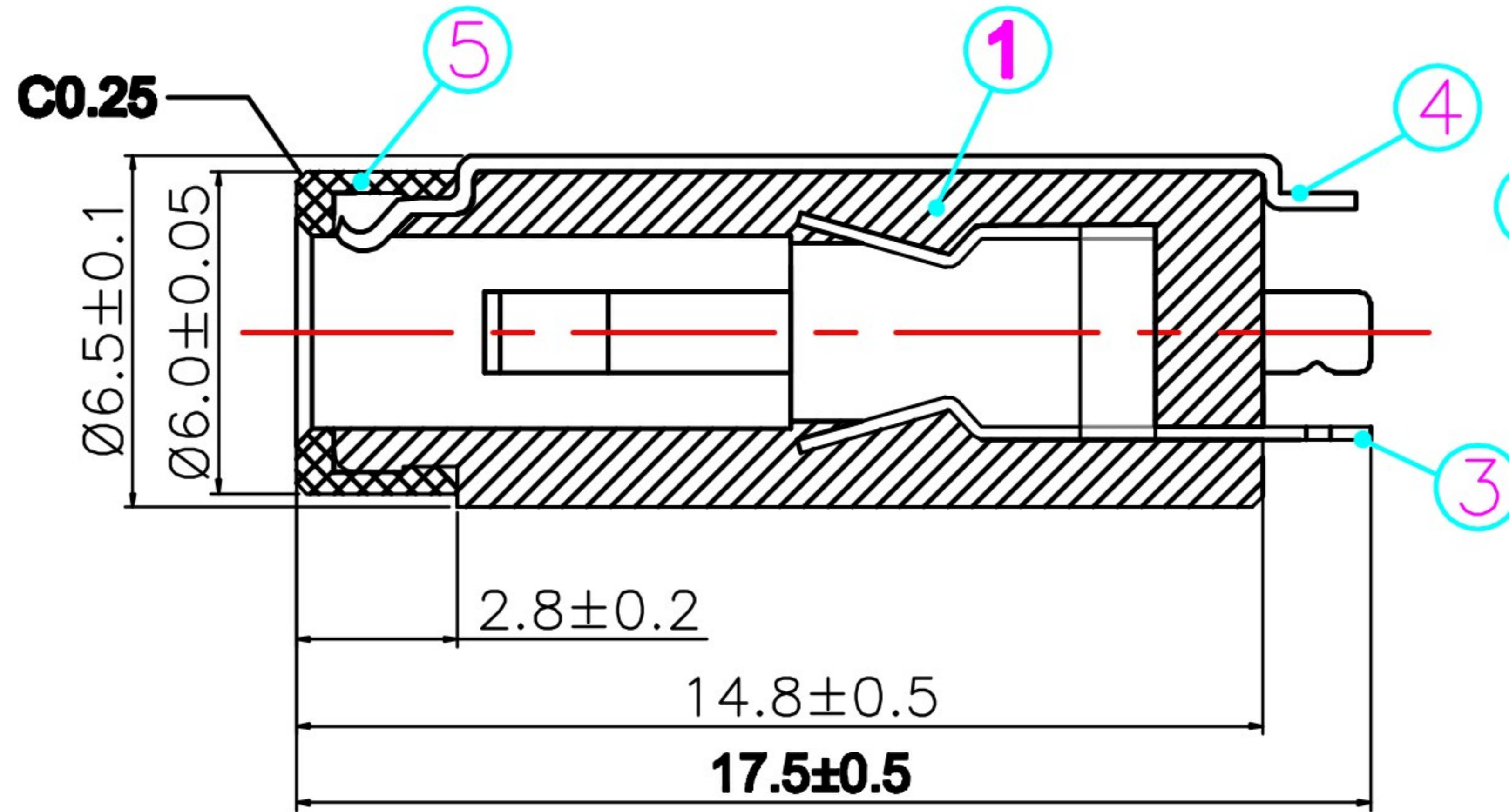
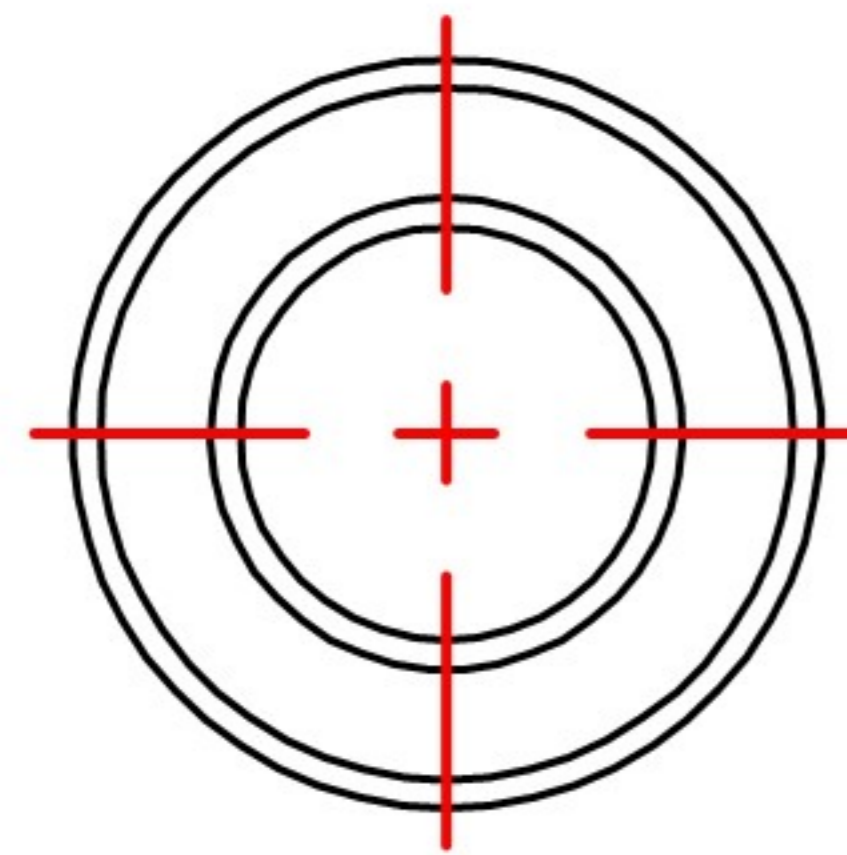
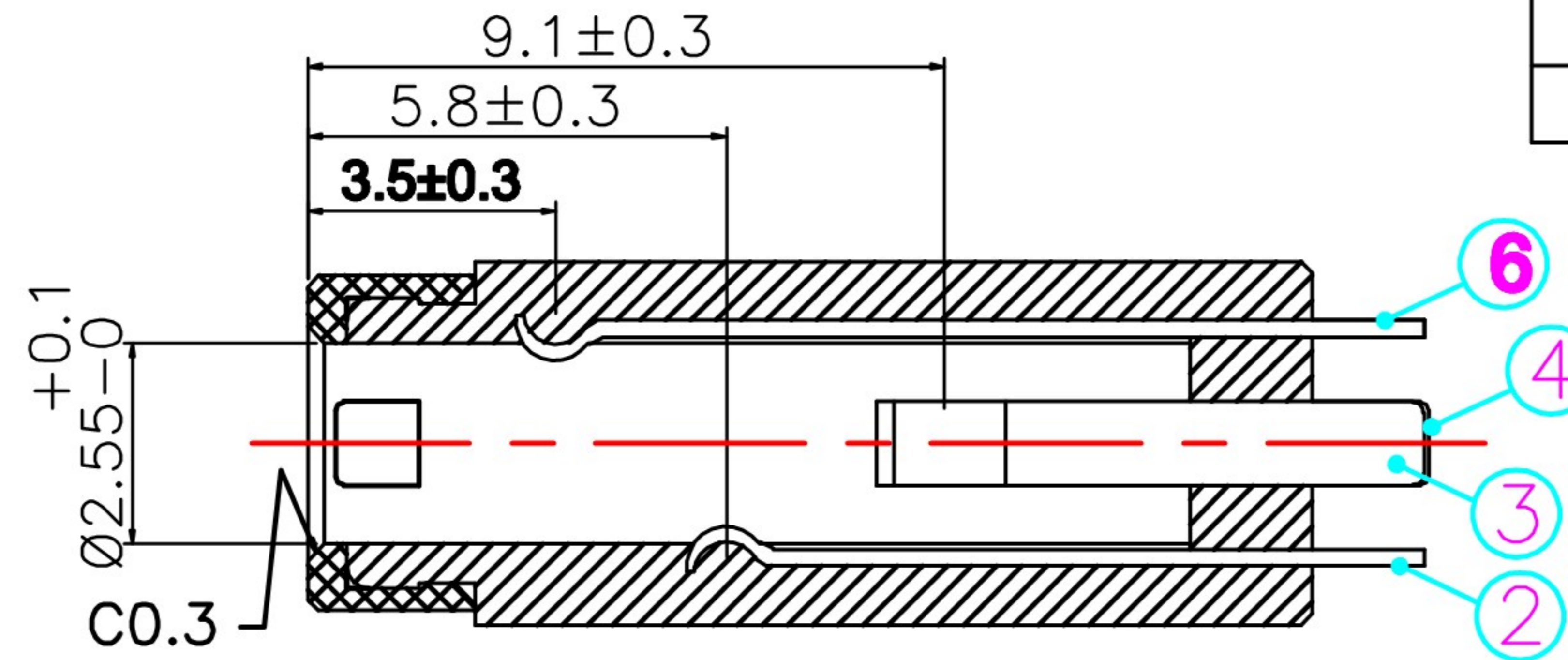


ROHS

版本 REV	修正标记 REVLTR	修正前 BEFORE REVISION	修正后 AFTER REVISION	签名 SIGN	日期 DATE
V1.0		新版制定		June	20211119



Technology Request:

- 1.Outlook:No burr, no hurt.
- 2.Electronic performance:
  - a:Insulation resistance: Above DC500V/100MΩ;
  - b:Endure voltage:AC500V at 1 minute;
  - c>Contact resistance:Under 30mΩ;
- 3.Insertion force & withdrawal force:0.3–3kgf.
- 4.Salt spray test:48H.
- 5.Meet RoHS.
- 6.Remark \* is important specification.

单位 Unit	mm	一般公差 The general tolerance
比例 Scale	5:1	xx:±0.3
视图 Third angle projection		x.x:±0.1
		xx:±0.05

NO.	PART	MATERIAL	PLATING
7			
6	四极片	C5191	Ni 1-3um
5	铜圈	C3604	Ni 1-3um/AU 1u"
4	三板片	C5191	Ni 1-3um
3	二板片	C5191	Ni 1-3um/AU 1u"
2	一板片	C5191	Ni 1-3um
1	PLASTIC	POM	BLACK

核准 APPROVED BY	校对 CHECKED BY	制图 DRAWN BY
June	杨义邦	苏伟伦

**XGB** 东莞市溪榜电子有限公司  
Switch Connector DONG GUAN XI BANG ELECTRONICS CO., LTD.

规格 DESCRIPTION:	DC JACK Ø2.55*Ø6*17.5
品名 P/N:	J254SJ60G
图号 DRAWN NO:	CP-06-0009