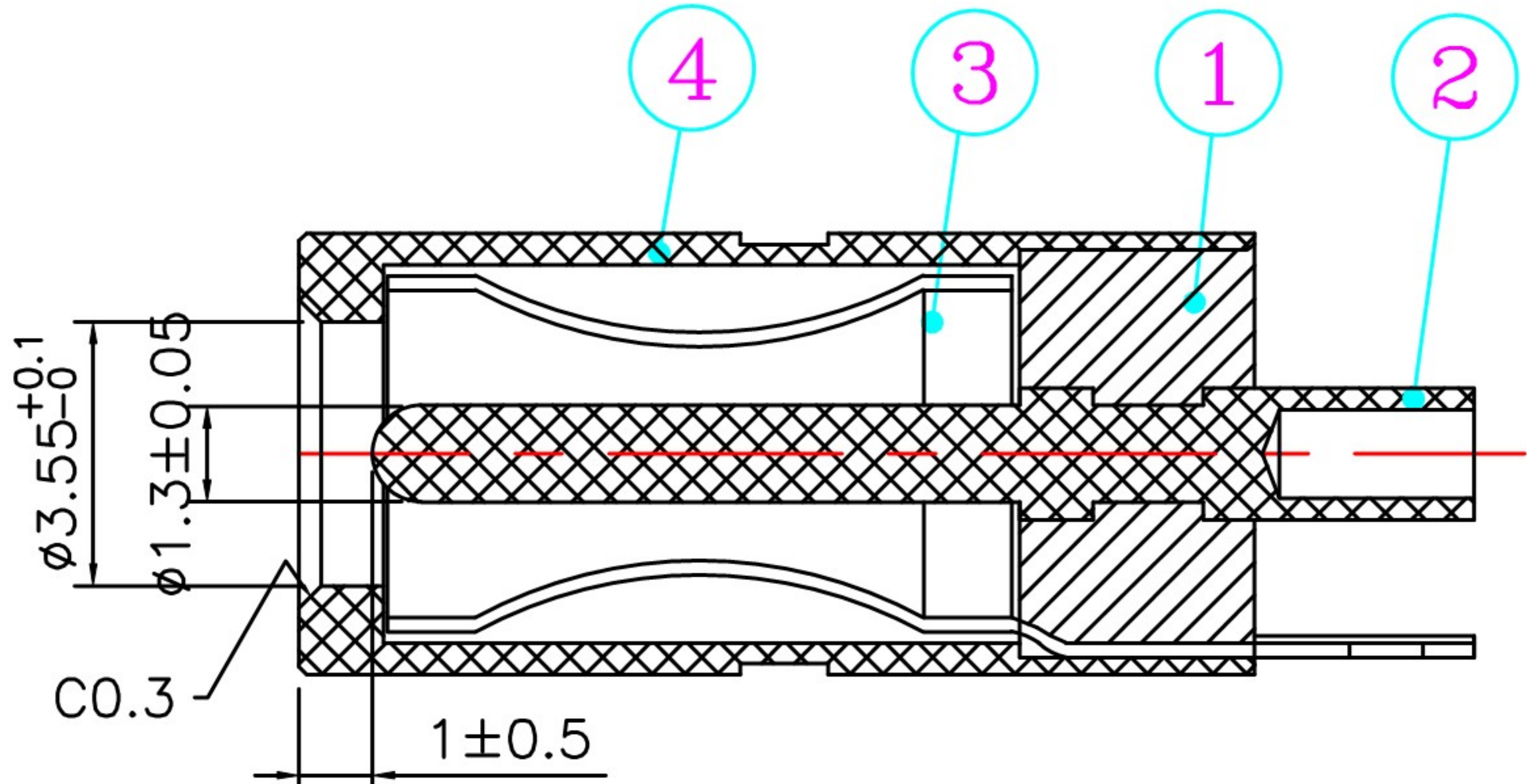
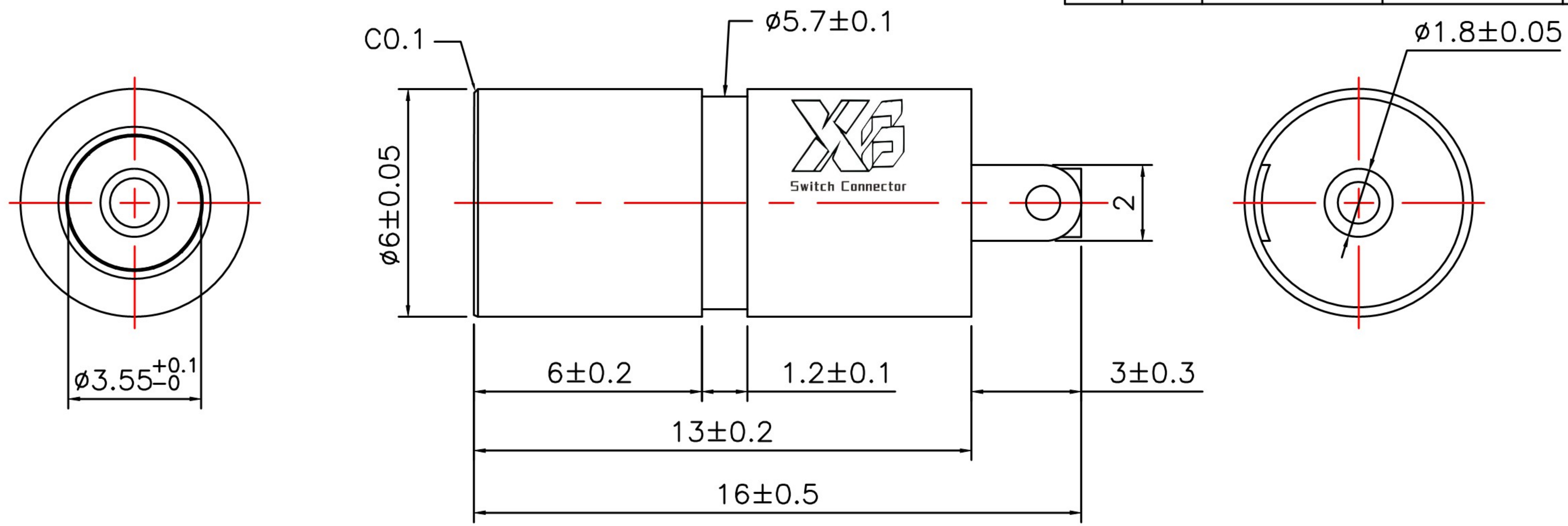


ROHS

版本 REV	修正标记 REV.LTR	修正前 BEFORE REVISION	修正后 AFTER REVISION	签名 SIGN	日期 DATE
V1.0		新版制定		June	20220218



Technology Request:

- 1.Outlook: No burr, no hurt.
- 2.Electronic performance:
 - a:Insulation resistance: Above DC500V/100MΩ;
 - b:Endure voltage: AC500V at 1 minute;
 - c>Contact resistance: Under 30mΩ;
- 3.Insertion force & withdrawal force: 0.3-3kgf.
- 4.Salt spray test:24H.
- 5.Meet RoHS.
- 6.Remark * is important specification.

单位 Unit	mm	一般公差 The general tolerance	7						
比例 Scale	5:1	xx.:±0.3	6						
视图 Third angle projection		x.x:±0.1	5						
		.xx:±0.05	4	6*13*3.6管	BRASS(C3604)	Ni 40~120μ			
			3	4.8*14.8带尾弹圈	BRONZE(C5191)	Ni 40~120μ			
			2	1.3*1.8*15针	BRASS(C3604)	Ni 40~120μ			
			1	PLASTIC	POM	BLACK			
			NO.	PART	MATERIAL	PLATING			

核准 APPROVED BY	校对 CHECKED BY	制图 DRAWN BY
June	杨义邦	苏伟伦

东莞市溪榜电子有限公司 DONG GUAN XI BANG ELECTRONICS CO., LTD.	
规格 DESCRIPTION:	DC JACK ø3.5*ø1.35*16
品名 P/N:	35135JL60-160平胶插板式
图号 DRAWN NO:	CP-03-0197