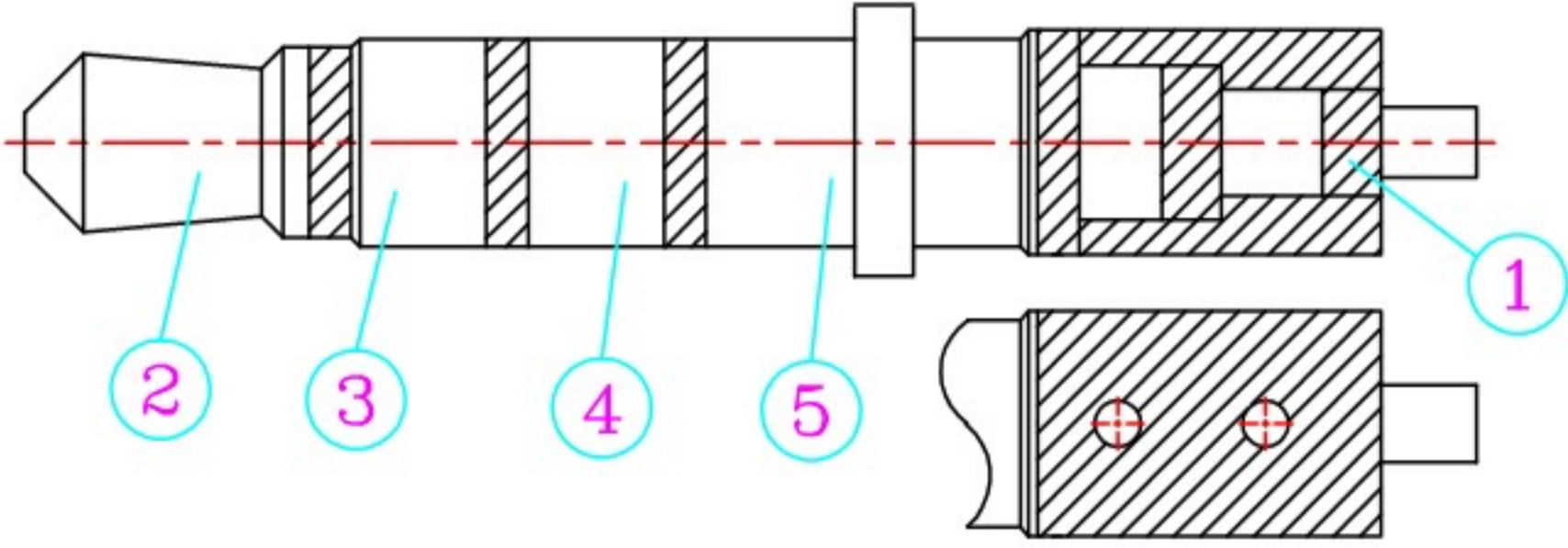
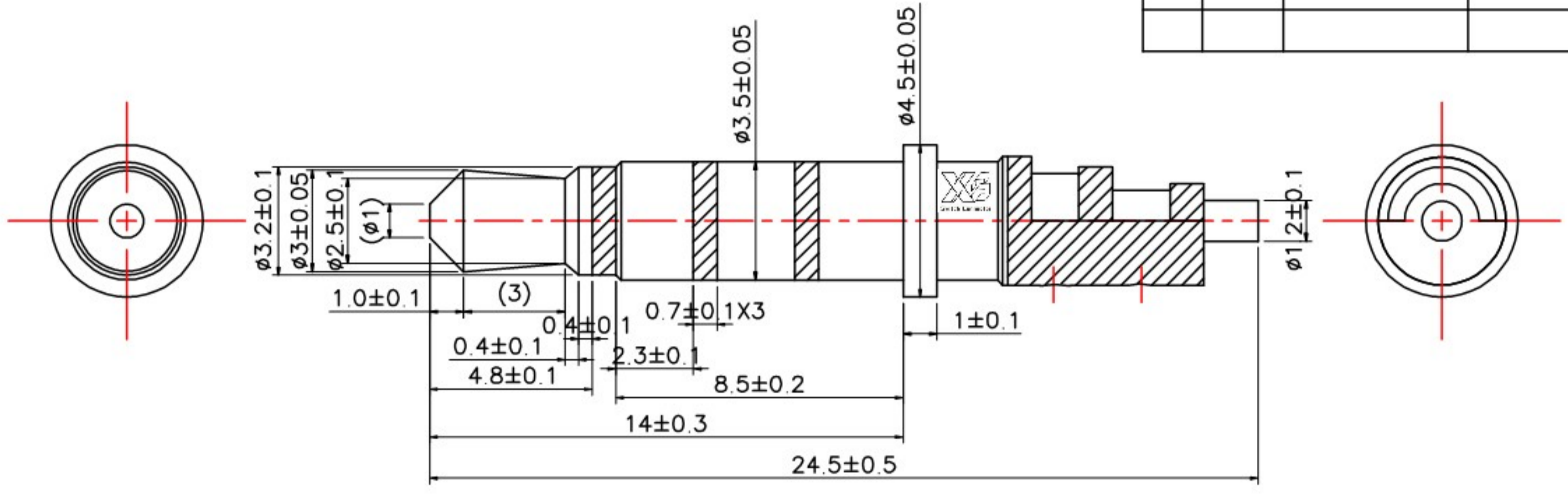


ROHS

版本 REV	修正标记 REV.LTR	修正前 BEFORE REVISION	修正后 AFTER REVISION	签名 SIGN	日期 DATE
V1.0		新版制定		June	20180917



Technology Request:  
 1.Outlook:  
 No burr, no hurt.  
 2.Electronic performance:  
 a:Insulation resistance:  
 Above DC500V/100MΩ;  
 b:Endure voltage:  
 AC500V at 1 minute;  
 c>Contact resistance:  
 Under 30mΩ;  
 3.Insertion force & withdrawal force:  
 0.3-3kgf.  
 4.Salt spray test:24H.  
 5.Meet RoHS.  
 6.Remark \* is important specification.

单位 Unit	mm	一般公差 The general tolerance	7
比例 Scale	5:1	xx.:±0.3	6
视图 Third angle projection		x.x.:±0.1	5
		xx:±0.05	4
			3
			2
			1
			NO.

NO.	PART	MATERIAL	PLATING
7			
6			
5	四段管	BRASS(C3604)	Ni 40~120μ"/Au0.8μ"
4	三段管	BRASS(C2680)	Ni 40~120μ"/Au0.8μ"
3	二段管	BRASS(C2680)	Ni 40~120μ"/Au0.8μ"
2	R头	BRASS(C3604)	Ni 40~120μ"/Au0.8μ"
1	PLASTIC	POM	BLACK

核准	校对	制图
APPROVED BY	CHECKED BY	DRAWN BY
June	杨义邦	李莹峰

<b>东莞市溪榜电子有限公司</b> DONG GUAN XI BANG ELECTRONICS CO., LTD.	
规格 DESCRIPTION:	3.5 AUDIO PLUG φ3.5*4.5*24.5
品名 P/N:	P35445245G
图号 DRAWN NO:	CP-05-0107