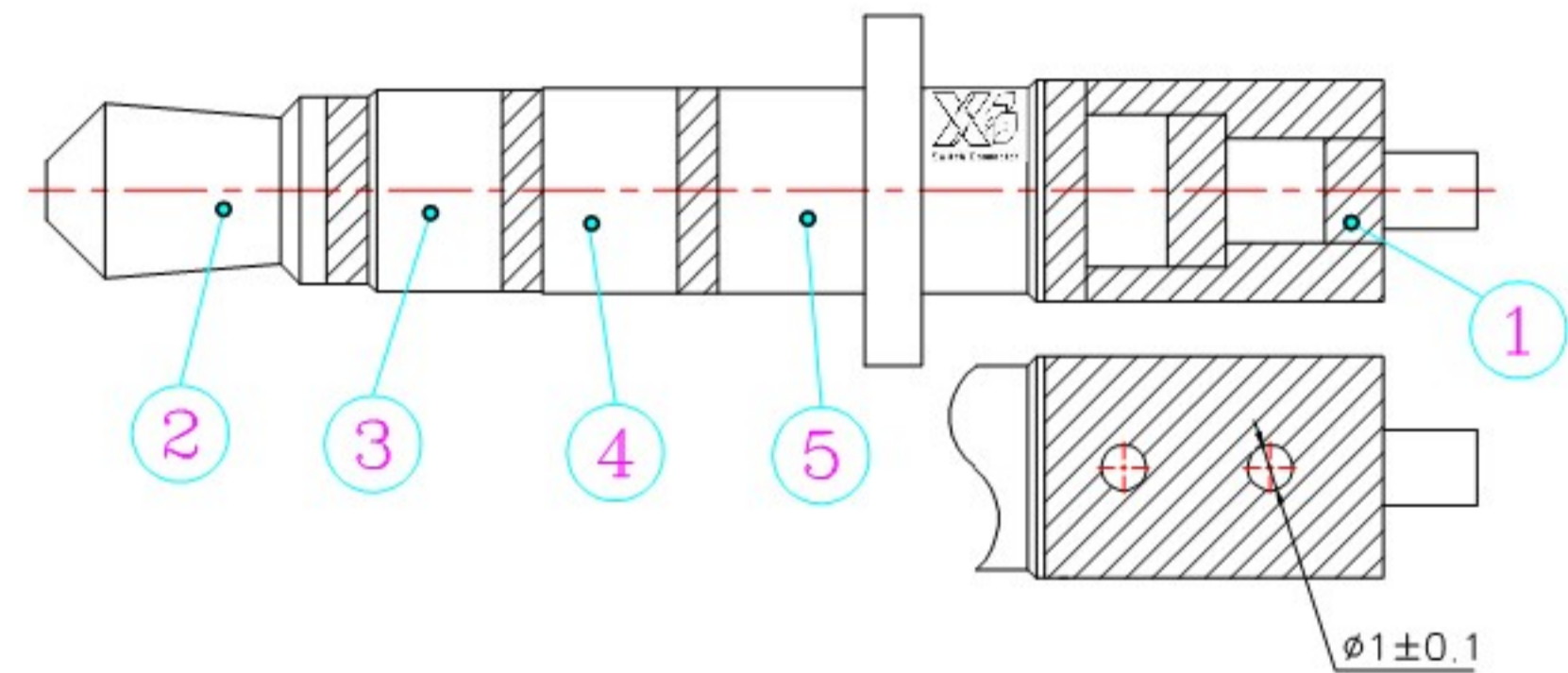
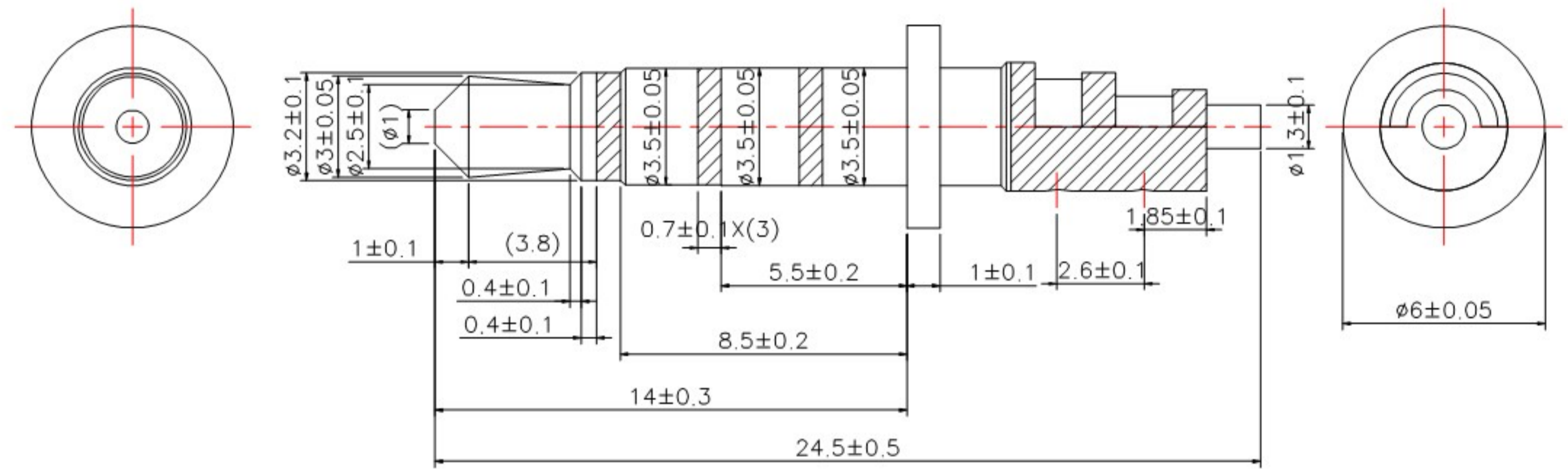


ROHS

版本 REV	修正标记 REV.LTR	修正前 BEFORE REVISION	修正后 AFTER REVISION	签名 SIGN	日期 DATE
V1.0		新版制定		June	20211008



Technology Request:
 1.Outlook:No burr, no hurt.
 2.Electronic performance:
 a:Insulation resistance:
 Above DC500V/100MΩ;
 b:Endure voltage:AC500V at 1 minute;
 c>Contact resistance:Under 30mΩ;
 3.Insertion force & withdrawal force:0.3-3kgf.
 4.Salt spray test:24H.
 5.Meet RoHS.
 6.Remark * is important specification.

单位 Unit	mm	一般公差 The general tolerance	7	6	5	4	3	2	1
比例 Scale	5:1	xx.:±0.3	四段管	C3604	NI 1~3um	三段管	C2680	NI 1~3um	二段管
视图 Third angle projection		x.x.:±0.1	R头	C3604	NI 40~120μ	PLASTIC	POM	BLACK	NO.
		.xx.:±0.05	PART	MATERIAL	PLATING				

核准 APPROVED BY	校对 CHECKED BY	制图 DRAWN BY
June	杨义邦	苏伟伦

规格 DESCRIPTION:		3.5 4POLE PLUG 3.5*6.0*24.5
品名 P/N:	P35460245	
图号 DRAWN NO:	CP-05-0121	

东莞市溪榜电子有限公司
 DONG GUAN XI BANG ELECTRONICS CO., LTD.