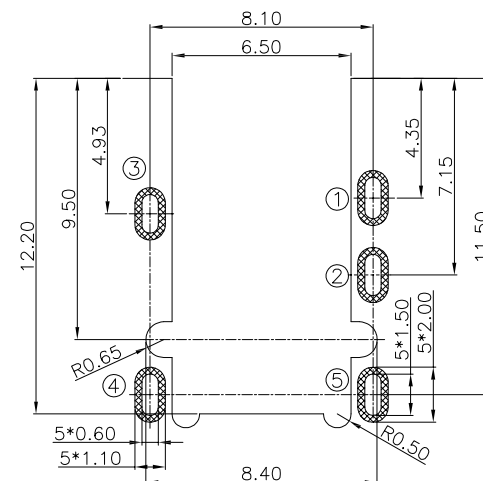
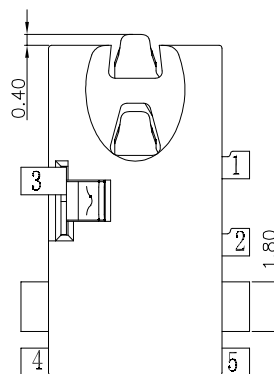
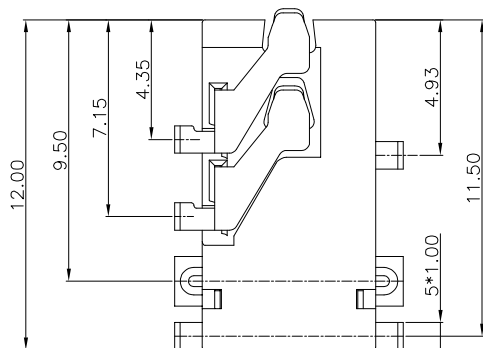
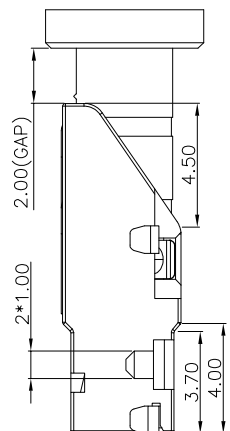
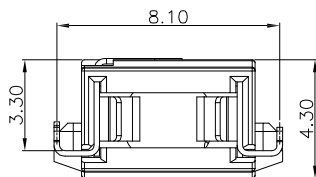
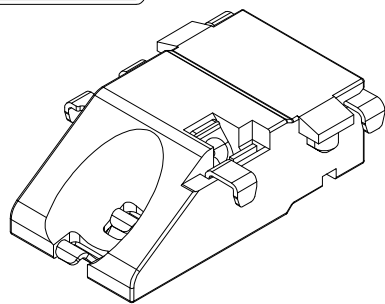
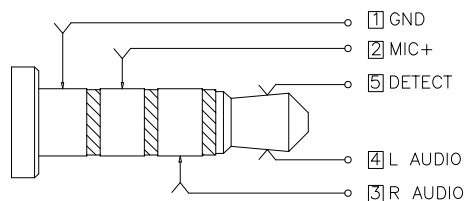


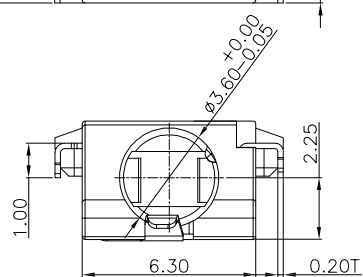
RoHS Compliant



RECOMMENDED PCB LAYOUT(TOP VIEW)
GENERAL TOLERANCES:±0.05



ø3.50 mm PLUG SCHEMATIC



6	HOUSING	HIGH TEMP	BLACK	
5	TERMINAL 5	COPPER ALLOY	Au PLATED	
4	TERMINAL 4	COPPER ALLOY	Au PLATED	
3	TERMINAL 3	COPPER ALLOY	Au PLATED	
2	TERMINAL 2	COPPER ALLOY	Au PLATED	
1	TERMINAL 1	STAINLESS STEEL	Au PLATED	
NO.	DESCRIPTION	MATERIAL	REMARKS	QTY

UNLESS OTHERWISE,
GENERAL TOLERANCE:

- X. xxx ±0.10
- X. xx ±0.20
- X. x ±0.30
- X. ±0.50

ANGULAR:

- X. xx ±1°
- X. x ±3°
- X. ±5°

XB 东莞市溪榜电子有限公司
DONG GUAN XI BANG ELECTRONICS CO., LTD.

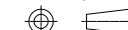
TITLE:
ø3.50mm PHONE JACK CONNECTOR
H=4.30mm 正向沉板3.30mm

P/N: XB-J941WR05GA001

MODEL: _____

DRAW NO.: _____

THIRD ANGLE PROJECTION



UNIT:	SCALE:	SIZE:	SHEET:
mm	1:1	A4	1/1

					DESIGN	ZB	2018.07.14	
					CHECK	ZB	2018.07.14	
					APPROVAL	YCW	2018.07.14	
ECN NO.	REV.	DESCRIPTION	DATE	CHANGE				

N/A	A	NEW DRAWING	2018.07.14	ZB				
-----	---	-------------	------------	----	--	--	--	--