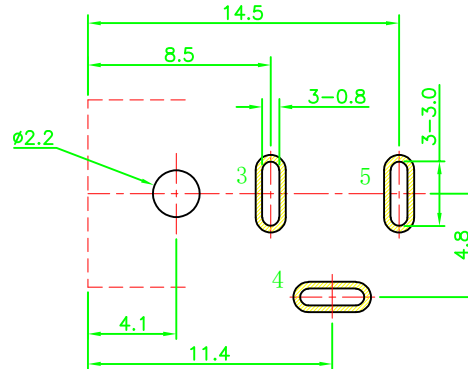
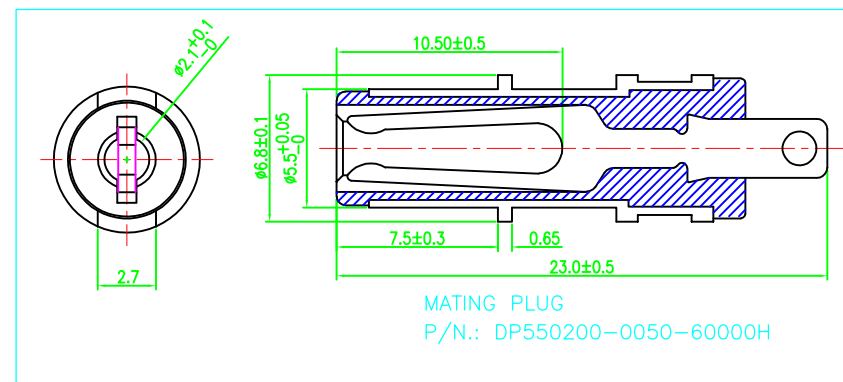
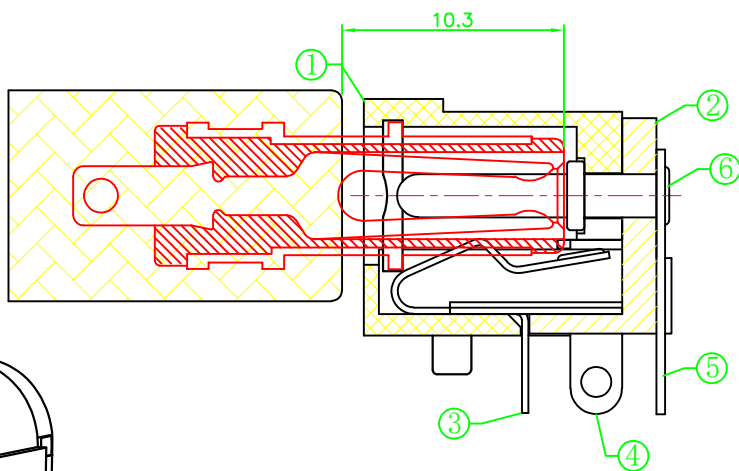


P. C. B LAYOUT  
TOP VIEW



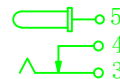
SPECIFICATION

1. Rating : DC 48V 3A;
2. Contact resistance:  $\leq 30m\Omega$ ;
3. Insulation resistance:  $\geq 100M\Omega$ ;
4. Withstand voltage: 500VAC ;
5. Insertion and extraction force: 3-30N;
6. life test: 5,000 cycles.

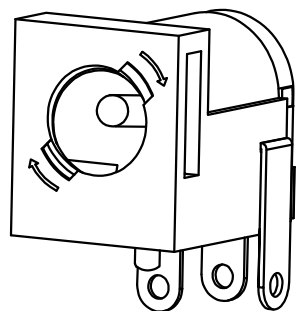


MATING PLUG  
P/N.: DP550200-0050-60000H

SCHEMATIC



NO.	DESCRIPTION	QTY	MATERIAL	PLATING
6	PIN	1	BRASS	Ni-Plating
5	FLAT FOOT	1	BRASS	Sn-Plating
4	CURVE PIECE	1	BRASS	Sn-Plating
3	SPRING PIECE	1	BRONZE	Sn-Plating
2	COVER	1	PBT 3001 HF	
1	HOUSING	1		

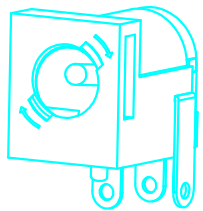


UNLESS OTHERWISE SPECIFIED TOLERANCES

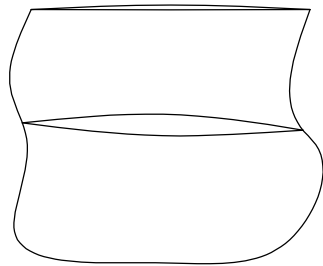
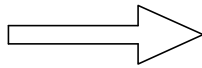
**XBG** 东莞市溪榜电子有限公司  
DONG GUAN XI BANG ELECTRONICS CO., LTD.

DESIGN:	Tony	PART NAME: Φ5.5xΦ2.0带锁扣 DC POWER JACK (无卤)
CHECK:		
APPROVED:	Andy	PART NO. XB-DC550200-0599-00000H
UNIT:	mm	SHEET: 1/1   REV.: A1
3RD ANGLE PROJECTION		DRAWING NO

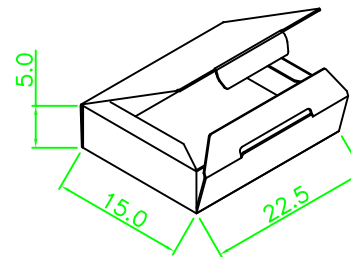
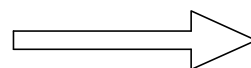
REV.	ECN NO.	DESCRIPTION	DESIGN	DATE
8				
7				
6				
5				



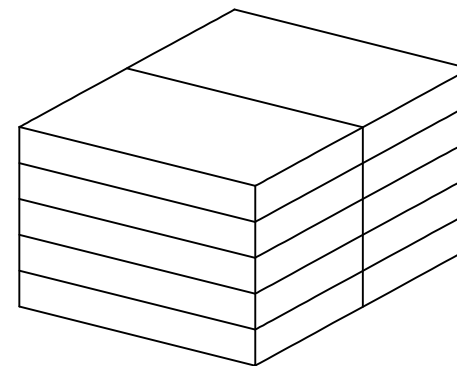
单重:1.76g



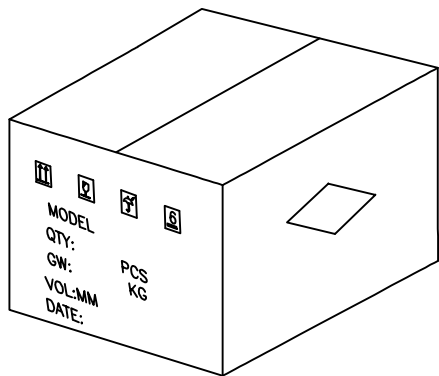
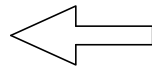
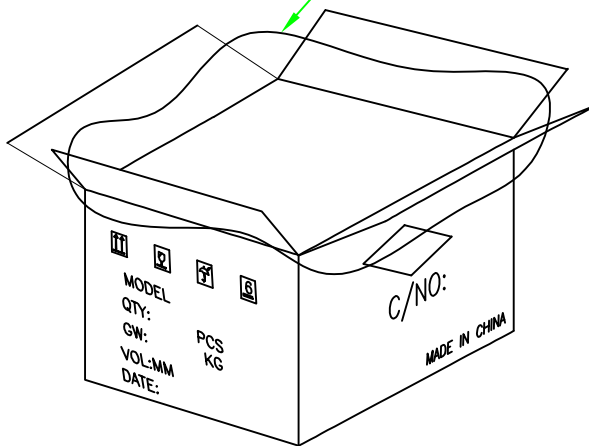
PE袋:500pcs/袋



小盒包装: 1袋/盒



防水胶袋



纸箱尺寸: 24\*32\*26 cm

数量: 5000 PCS

净重: 8.8 KG

毛重: 9.5 KG

纸箱放入10个小盒, 2\*5

UNLESS OTHERWISE SPECIFIED TOLERANCES				东莞市溪榜电子有限公司 DONG GUAN XI BANG ELECTRONICS CO., LTD.			
DECIMALS:		ANGLES:		DESIGN:	Tony	PART NAME:	
DIM	TOL	DIM	TOL		2020.9.5	Φ5.5xΦ2.0带锁扣	
X.	±0.50	X.	±2°	CHECK:		DC POWER JACK (无卤)-包装图	
X.X	±0.30	X.X	±1°			PART NO.	
X.XX	±0.20	X.XX	—	APPROVED	Andy	XB-DC550200-0599-00000H	
X.XXX	±0.10	X.XXX	—		2020.9.5	SHEET: 1/1 REV.: A1	
3RD ANGLE PROJECTION				UNIT:	mm	DRAWING NO	

REV.	ECN NO.	DESCRIPTION	DESIGN	DATE
------	---------	-------------	--------	------

8 | 7 | 6 | 5 | 4 | 3 | 2 | 1