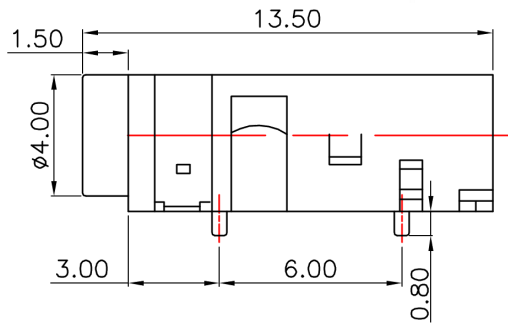
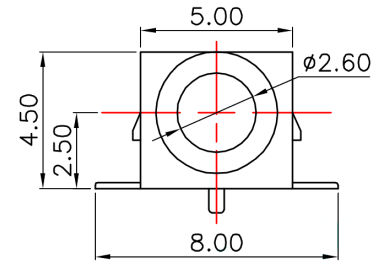


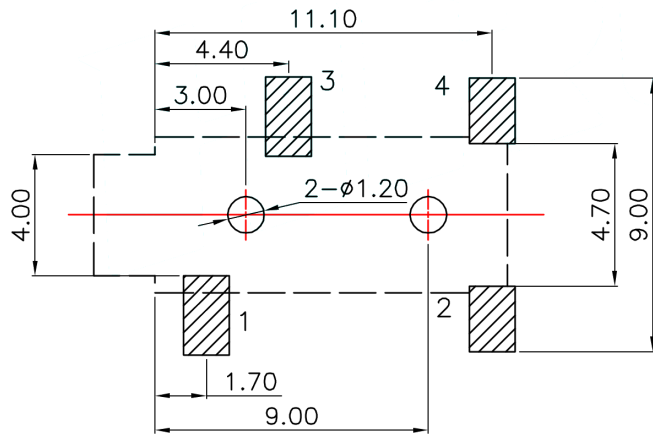
CAD FILE:



P.C.B LAYOUT(copper-side view)



Model No.	PJ-202A-A	PJ-202A-B	PJ-202A-C
Schematic			



Rating:0.5A 30V DC  
 Contact Resistance:100 mΩ Max.  
 Operating temperature:-20℃~70℃  
 Operating force:3-20N  
 Operating Life:5,000cycles

8					TOLERANCE UNLESS SPECIFIED						
7											
6					WITHIN 1.5mm : ±0.1mm	A	2012-9-25	初版		ZENQ. CHEN	
5					OVER 1.5mm : ±0.2mm	ISSUE	DATE	DESCRIPTIONS OF REVISION		APPD.	
4	CONTACT	SUS	1	Ag CLAD	TITLE : <b>Audio Jack</b>			UNIT : mm	DRWG NO.:		
3	CASE	PPA/BRASS SRTIP	1	BLACK/Ag PLATED	MODEL:			SCALE: 5:1	DWN.	JUN. YANG	2012-9-25
2	COVER	STEEL STRIP	1	Ni PLATED	<b>东莞市溪榜电子有限公司</b> DONG GUAN XI BANG ELECTRONI CS CO., LTD.			CHK'D	DONG. PANG	2012-9-25	
1	KNOB	PPA	1	BLACK				APPD.	ZENQ. CHEN	2012-9-25	
NO.	PARTS	MATERIALS	Q'TY	FINISH							