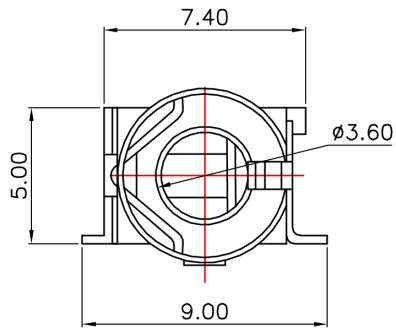
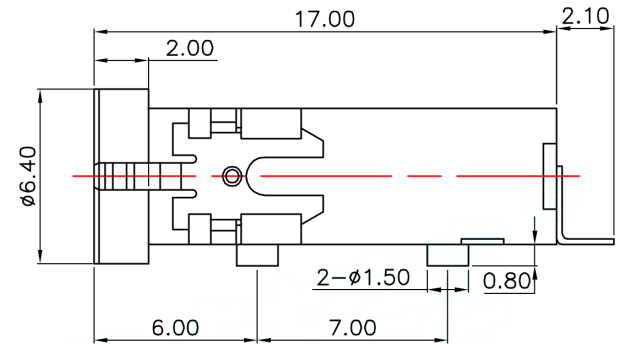
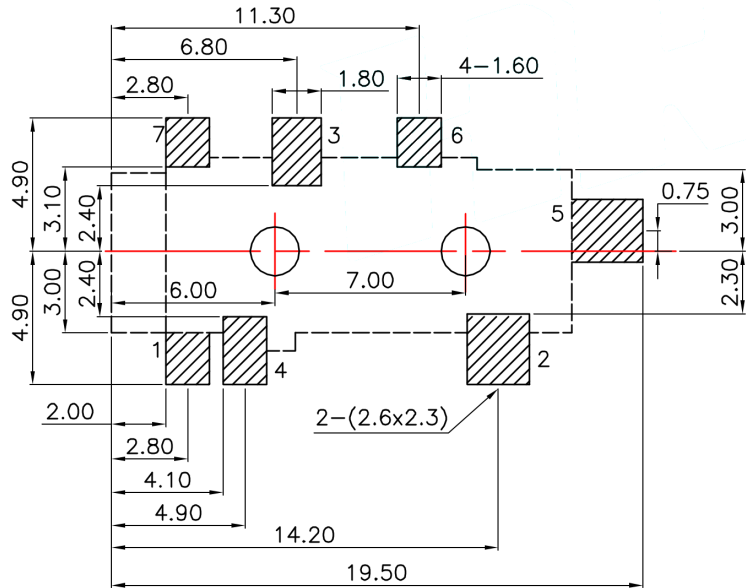


CAD FILE:



P.C.B Layout (copper-sided view)



Rating:0.5A 30V DC
 Contact Resistance:100 mΩ Max.
 Operating temperature:-20℃~70℃
 Operating force:3-20N
 Operating Life:5,000cycles

Model NO	PJ-328D-A	PJ-328D-B	PJ-328D-C
Schematic			
Model NO	PJ-328D-D	PJ-328D-E	PJ-328D-F
Schematic			

8										
7										
6										
5										
4	CONTACT	SUS	1	Ag CLAD						
3	CASE	PPA/BRASS SRTIP	1	BLACK/Ag PLATED						
2	COVER	STEEL STRIP	1	Ni PLATED						
1	KNOB	PPA	1	BLACK						
NO.	PARTS	MATERIALS	Q'TY	FINISH						
					TOLERANCE UNLESS SPECIFIED					
					WITHIN 1.5mm : ±0.1mm	A	2012-9-25	初版		
					OVER 1.5mm : ±0.2mm	ISSUE	DATE	ZENQ. CHEN		
					TITLE : Audio Jack			APPD.		
					UNIT : mm		DRWG NO.:XB-PJ-3280D-SMT			
					MODEL:		SCALE: 5:1	DWN.	JUN. YANG	2012-9-25
					DONG GUAN XI BANG ELECTRONI CS CO., LTD.		CHK'D	DONG. PANG	2012-9-25	
					Switch Connector		APPD.	ZENQ. CHEN	2012-9-25	