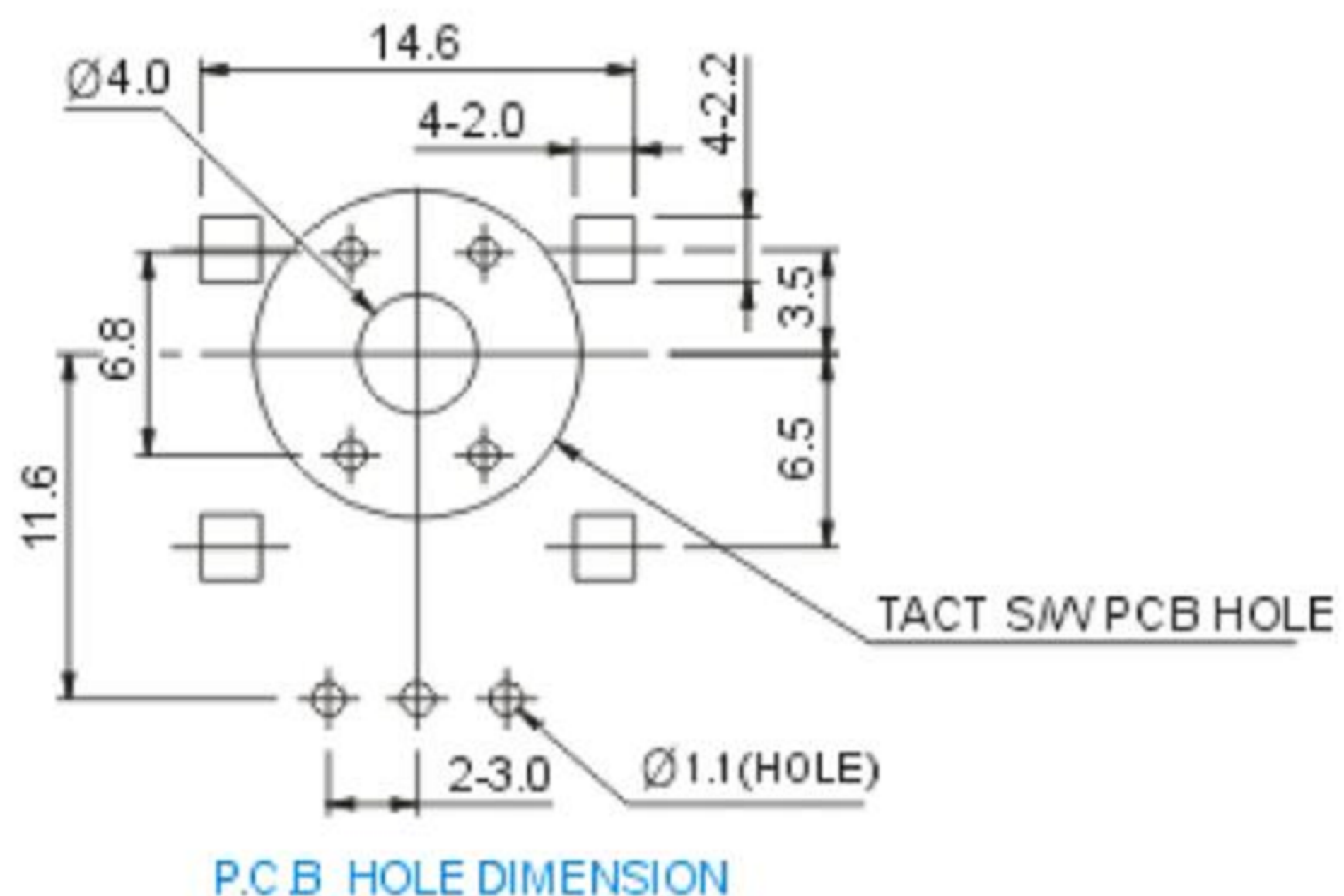
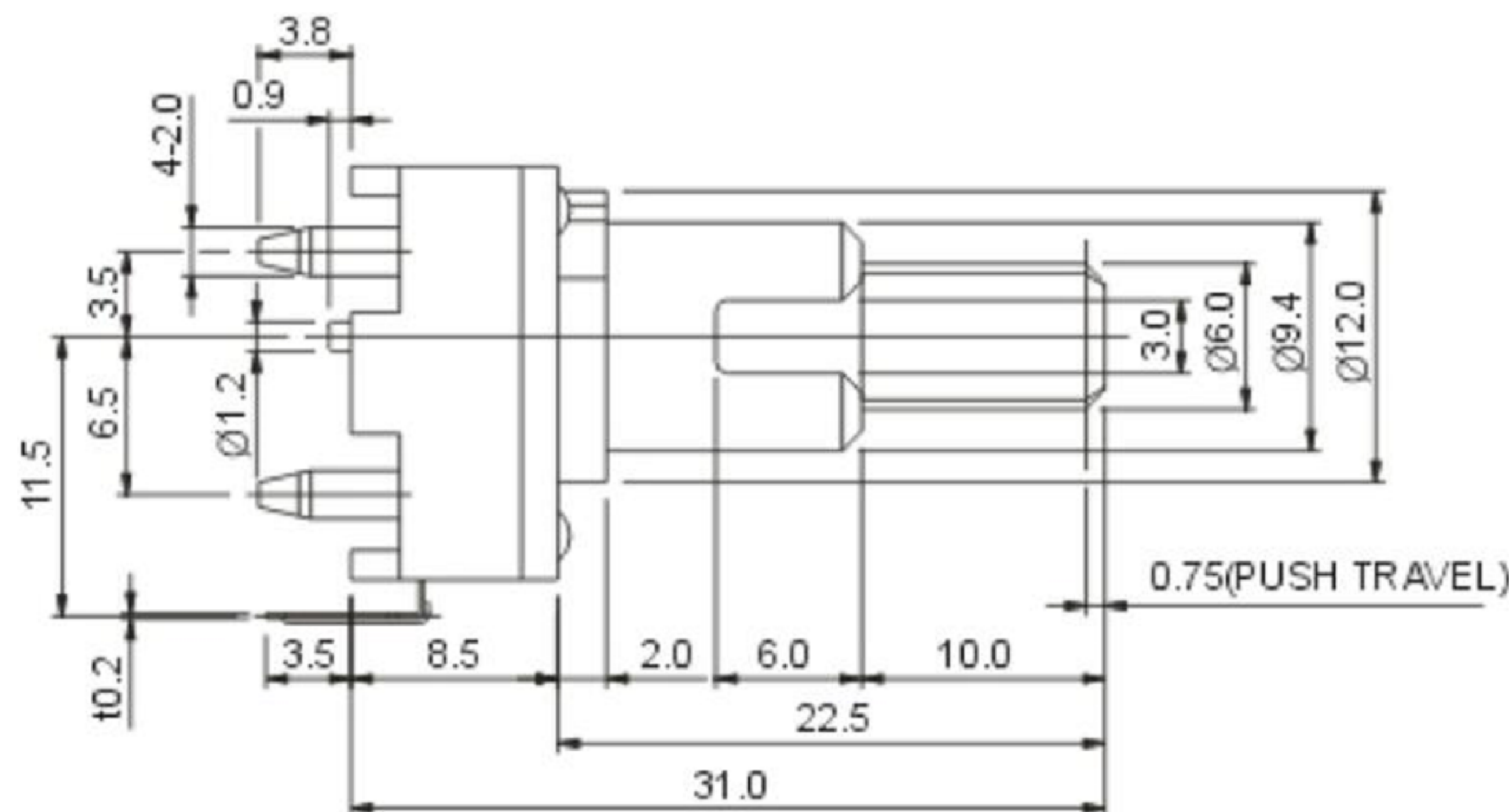
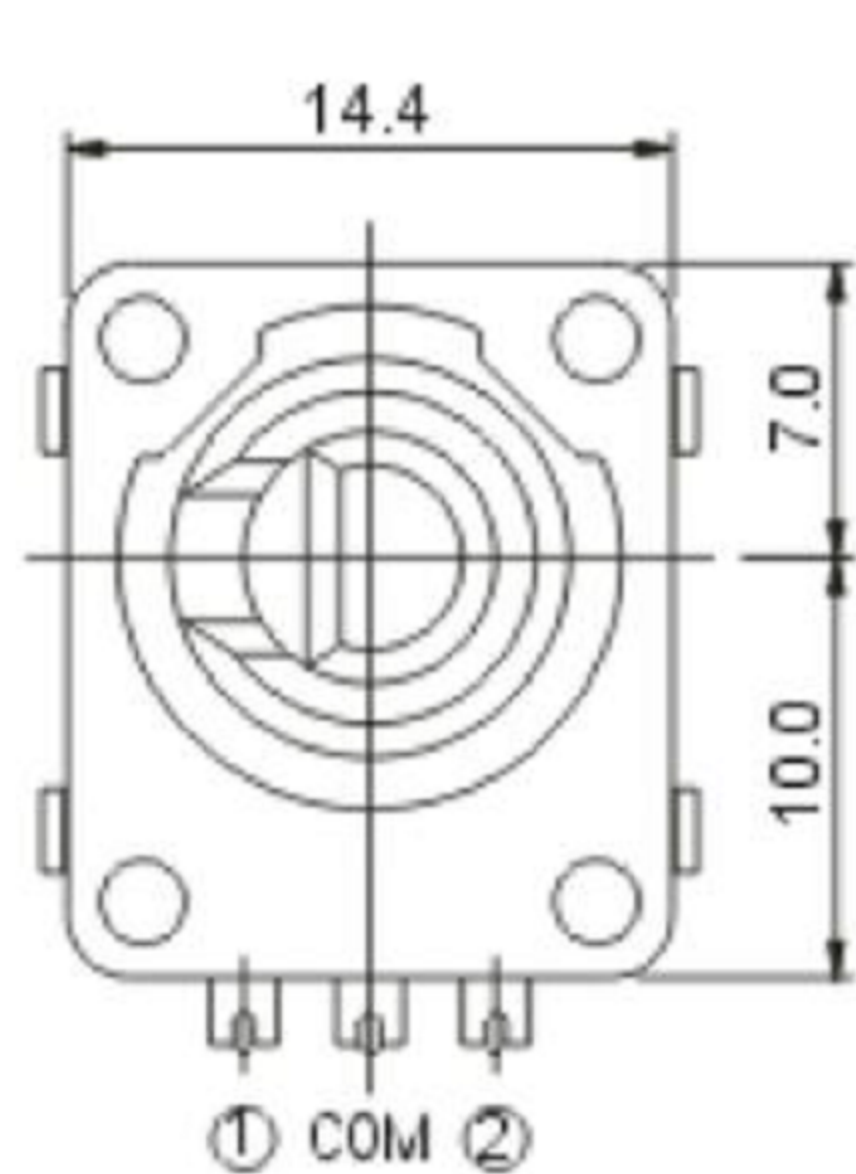


CAD FILE:

**ROHS**



1. Rating: DC 28V 10mA
2. Contact Resistance: 30mΩ
3. Total Rotation Angle: 360° (Endless)
4. Number of step: 24Steps
5. Step Angle: 15 Haw.
6. Rotation Torque: 50gf 100gf.cm
7. Operating Life: 30,000Cycles
8. Push Travel: 0.75mm
9. Circuit: 2Bit

Terminal	← C.C.W												→ C.W											
	1	2	3	4	5	6	7	8	9	10	11	12	13	14	15	16	17	18	19	20	21	22	23	24
Terminal 1	X	O	O	X	X	O	O	X	X	O	O	X	X	O	O	X	X	O	O	X	X	O	O	X
Terminal 2	X	X	O	O	X	X	O	O	X	X	O	O	X	X	O	O	X	X	O	O	X	X	O	O

\* O: ON X:OFF

NO.	PARTS	MATERIALS	Q'TY	FINISH	TOLERANCE UNLESS SPECIFIED		TITLE : Encoder Swith		UNIT : mm	DRWG NO.: XB-JES-1424S		
8					WITHIN 1.5mm : ±0.1mm	A	2012-9-25		初版			ZENQ. CHEN
7					OVER 1.5mm : ±0.2mm	ISSUE	DATE		DESCRIPTIONS OF REVISION			APPD.
4	CONTACT	SUS	1	Ag CLAD	MODEL: XB-JES-1424S		SCALE: 5:1	DWN.	JUN. YANG	2012-9-25		
3	CASE	PPA/BRASS SRTIP	1	BLACK/Ag PLATED	<b>东莞市溪榜电子有限公司</b> DONG GUAN XI BANG ELECTRONI CS CO., LTD.		CHK'D	DONG. PANG	2012-9-25			
2	COVER	STEEL STRIP	1	Ni PLATED			APPD.	ZENQ. CHEN	2012-9-25			
1	KNOB	PPA	1	BLACK								