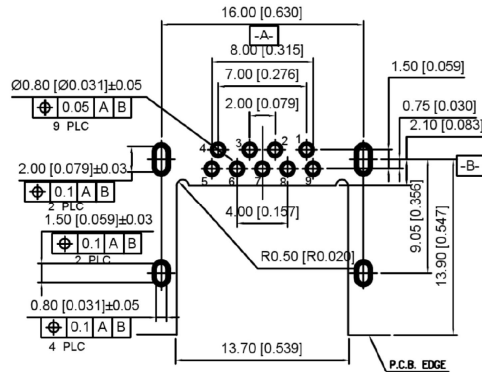
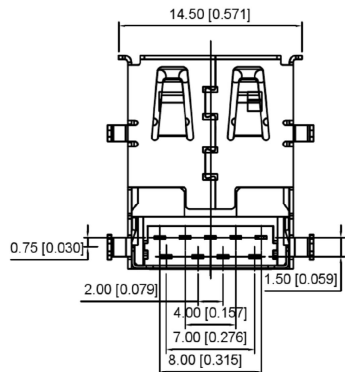
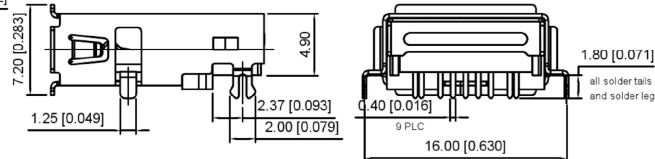
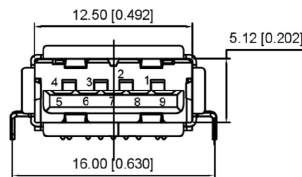
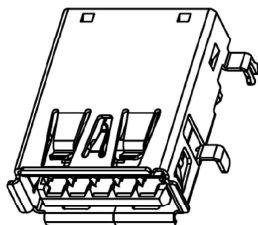


S:Scrolls



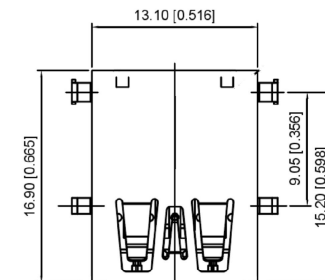
RECOMMEND P.C.B LAYOUT (THICKNESS=1.2mm)

Pin No.	1	2	3	4	5	6	7	8	9
Signal Name	VBUS	D-	D+	GND	SSRX1-	SSRX1+	GND	SSRX2-	SSRX2+
Remark	USB2.0 Contact Pin				USB3.0 Contact Pin				



U231-09XN-3BLRT06-XS

- 1:Au 1U"
- 5:Au 15U"
- 6:Au 30U"
- T:TIN
- N:NICKEL
- S:SUS
- S:Scrolls F:Flat
- B:BLACK W:WHITE BL:BLUE
- 1:PBT
- 2:PA6T
- 3:PA9T
- 4:LCP



F:Flat

Material

Housing Material: PA9T, UL94V-0, blue  
 Contact Terminal: Copper Alloy  
 Metallic Shell:SUS

Plating

Underplating: Nickel  
 Contact Plating: 1μ" Gold  
 Solder Tail: 100μ" Min. Tin  
 Metallic Shell: Nickel

Electrical

Voltage Rating: 100 V AC  
 Current Rating: 0.25A (Signal pins 2,3,5,6,7,8,9) 1.8A (Power Pins 1,4)  
 Contact Resistance: 30mΩ Max.  
 Insulation resistance: 1000MΩ Min.

Dielectric withstanding voltage: 100V AC/Minute

Mechanical

Durability: 1500 cycles  
 Mating Force: 35N (3.57Kgf) Max  
 Unmating Force: 10N (1.02Kgf) Min. initial, 8N min after test  
 Environmental and Processing  
 Operating Temperature: -40°C to +85°C

				ANGULAR	±5°		DSND	SCALE: N/A	MODEL TYPE:	USB 3.0	
				L ≤ 4	±0.2		DWN	VIEW:	PART NO.:		
				4 < L ≤ 16	±0.3		CHKD	UNIT: mm/in	DWG NO.:		
				16 < L ≤ 63	±0.4		APPD	SIZE: A4	U231-09XN-3BLRT06-XS		
REVISIONS				DATE	REVISED	APPROVED			WEIGHT	SHEET	REVISION
www.alpsr.com www.gdxjdz.com www.xbswitch.com				UNSPECIFIED TOLERANCES			DONG GUAN XI BANG ELECTRONIC CO., LTD			1/1	A0