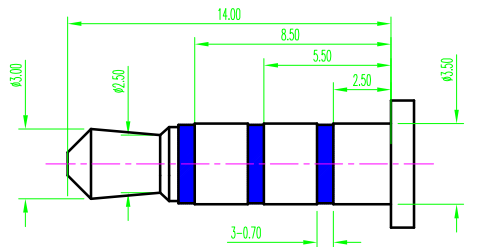
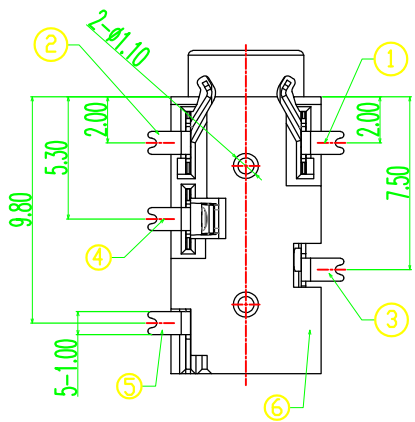
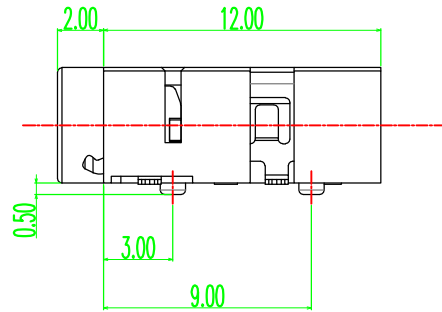
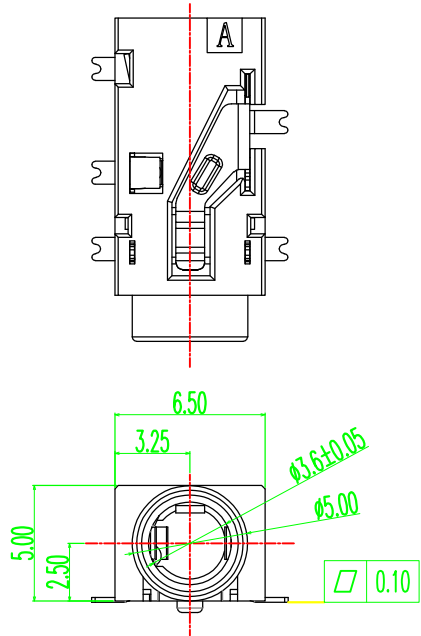
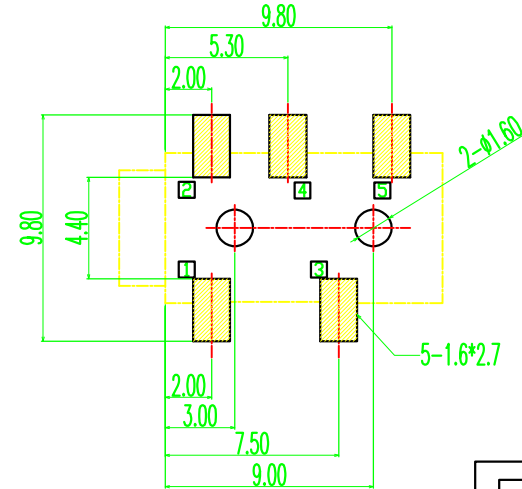


3D VIEW

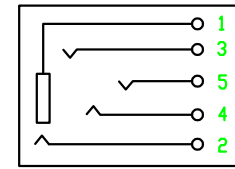


(Ø3.50mm 4 POLE PLUG DETAIL DRAWING)

- CONTACT CURRENT RATING: 1A.
- CONTACT RESISTANCE: 50 mΩ MAX.;
- INSULATION RESISTANCE: 1000Ω MIN.;
- DIELECTRIC WITHSTANDING: 500V AC MIN.;
- DURABILITY: 5,000 CYCLES MIN.;
- CONNECTOR MATING FORCES: 29.4N (3.00Kgf) MAX.;
- CONNECTOR UNMATING FORCES: 2.94N(0.30Kgf) MIN.;



P.C.B LAYOUT
TOP VIEW



SCHEMATIC

ITEM	NAME	Q'TY	DESCRIPTION
6	HOUSING	1	PPA COLOR BLACK
5	CONTACT 5#	1	STAINLESS STEEL; NICKEL(40u"MIN.) UNDER PLATING OVERALL;TIN WHOLE THE (80u"MIN.) OVERALL
4	CONTACT 4#	1	PHOSPHOR BRONZE; NICKEL(40u"MIN.) UNDER PLATING OVERALL;TIN WHOLE THE (80u"MIN.) OVERALL
3	CONTACT 3#	1	PHOSPHOR BRONZE; NICKEL(40u"MIN.) UNDER PLATING OVERALL;TIN WHOLE THE (80u"MIN.) OVERALL
2	CONTACT 2#	1	PHOSPHOR BRONZE; NICKEL(40u"MIN.) UNDER PLATING OVERALL;TIN WHOLE THE (80u"MIN.) OVERALL
1	CONTACT 1#	1	PHOSPHOR BRONZE; NICKEL(40u"MIN.) UNDER PLATING OVERALL;TIN WHOLE THE (80u"MIN.) OVERALL

UNLESS OTHERWISE SPECIFIED TOLERANCES

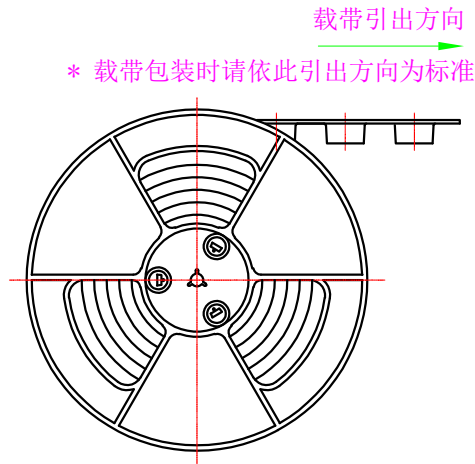
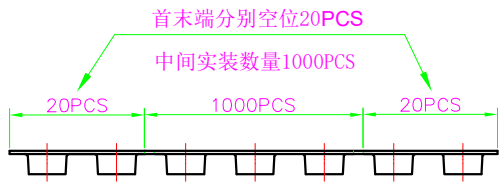
东莞市溪榜电子有限公司
DONG GUAN XI BANG ELECTRONICS CO., LTD.

DESIGN:	Tony	PART NAME:	Ø3.5mm PHONE JACK
CHECK:		PART NO.:	XB-PJ03505-0643-00000H
APPROVED:	Andy	SHEET: 1/1	REV.: A1
DATE:	2019.9.15	DRAWING NO	

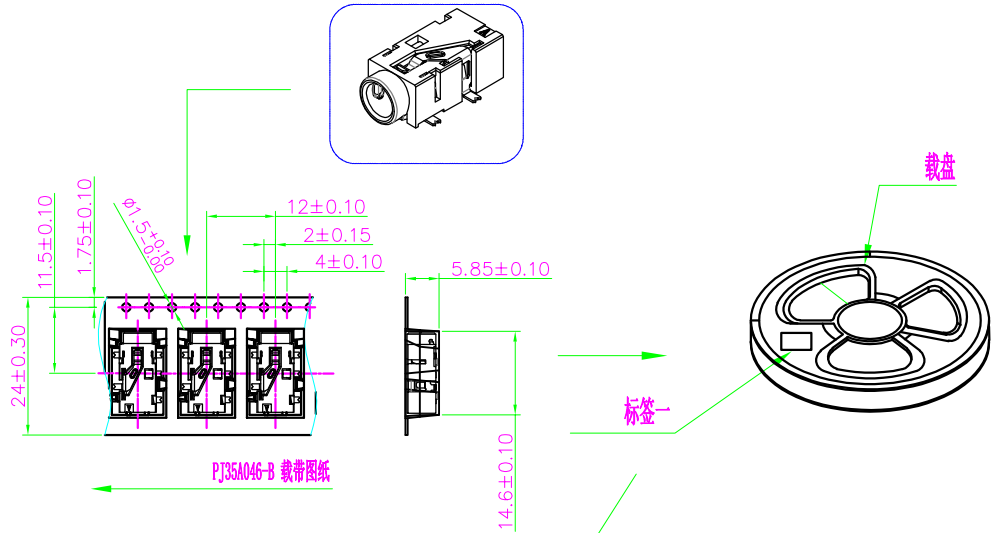
REV.	ECN NO.	DESCRIPTION	DESIGN	DATE
8				
7				
6				
5				

1载带=1000PCS

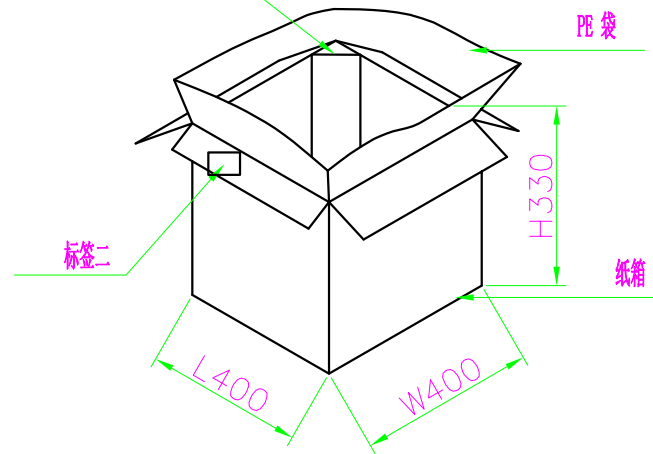
1外箱=1000PCSX10盘载带=10000PCS



卷盘包装示意



PJ35A046-B 载带图纸



包材名称	材料及厚度(mm)	规格(mm)
PJ35A046-B 载带	P.S(白色透明)T=0.30	12500X24.00X5.10
载盘	HI P.S(蓝色)	φ330X28.40
自粘带	PBT(白色透明)	W=21.30 T=0.06
纸箱	K=K	400X400X330
PE 袋	PE	

UNLESS OTHERWISE SPECIFIED TOLERANCES

XB 东莞市溪榜电子有限公司
DONG GUAN XI BANG ELECTRONICS CO., LTD.

DECIMALS:	ANGLES:	DESIGN:	Tony	PART NAME: Ø3.5mm PHONE JACK 包装图
DIM TOL	DIM TOL	CHECK:	2019.9.15	
X. ±0.50	X. ±2°	APPROVED	Andy	PART NO. XB-PJ03505-0643-00000H
X.X ±0.30	X.X ±1°	UNIT: mm	2019.9.15	SHEET: 1/1 REV.: A1
X.XX ±0.20	X.XX	3RD ANGLE PROJECTION		DRAWING NO
X.XXX ±0.10	X.XXX			

REV.	ECN NO.	DESCRIPTION	DESIGN	DATE
7				