

Recommended PCB Layout(Top Side)  
(PCB Board Tolerance±0.05)

### Specifications :

- Voltage rating: 500V AC / DC
- Current rating: 1A AC / DC
- Withstanding voltage: 1000V AC/minute
- Temperature range: -40°C~+105°C
- Insulation resistance: ≥1000MΩ
- Contact resistance: ≤20mΩ
- After environmental testing: ≤30mΩ

X9127 W V S-XX B3-9T SN XX

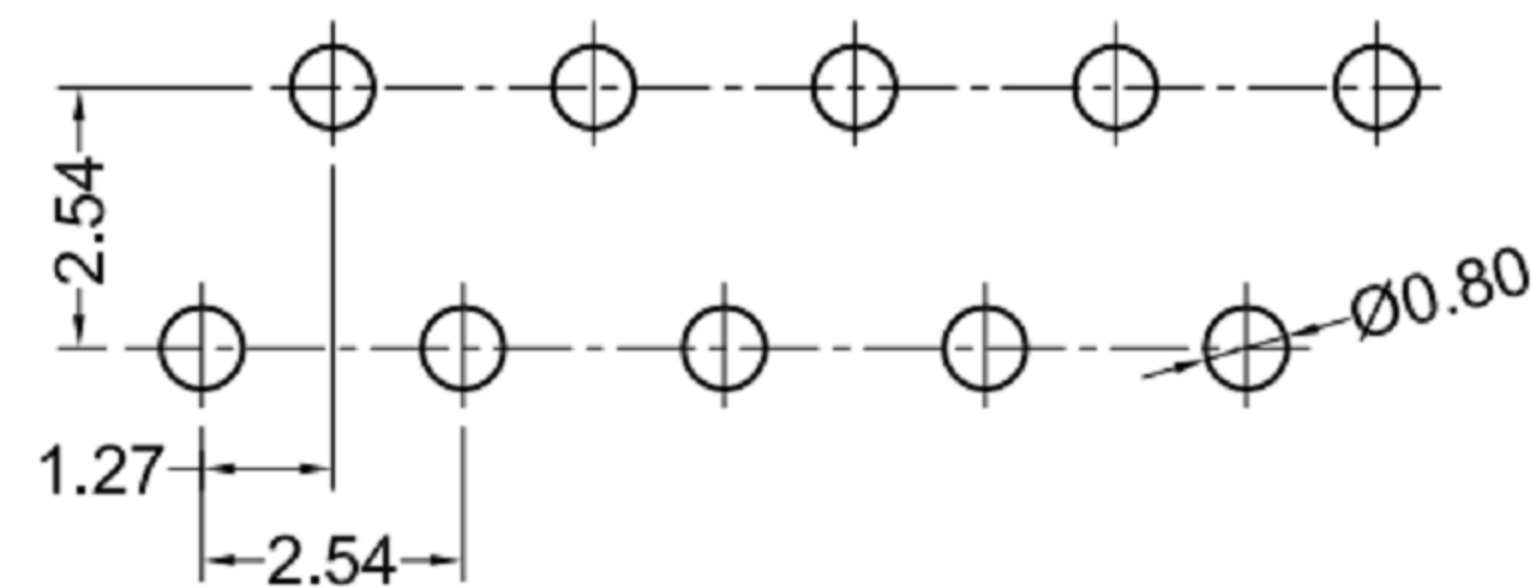
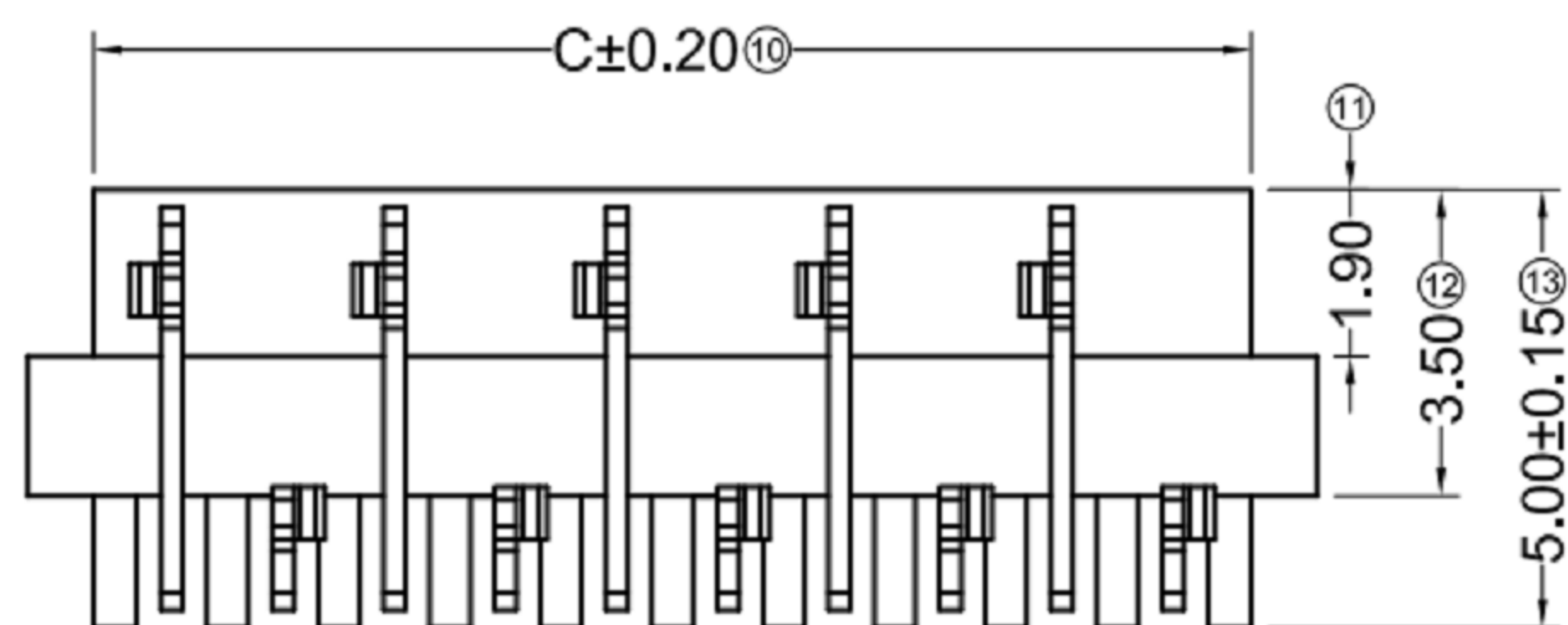
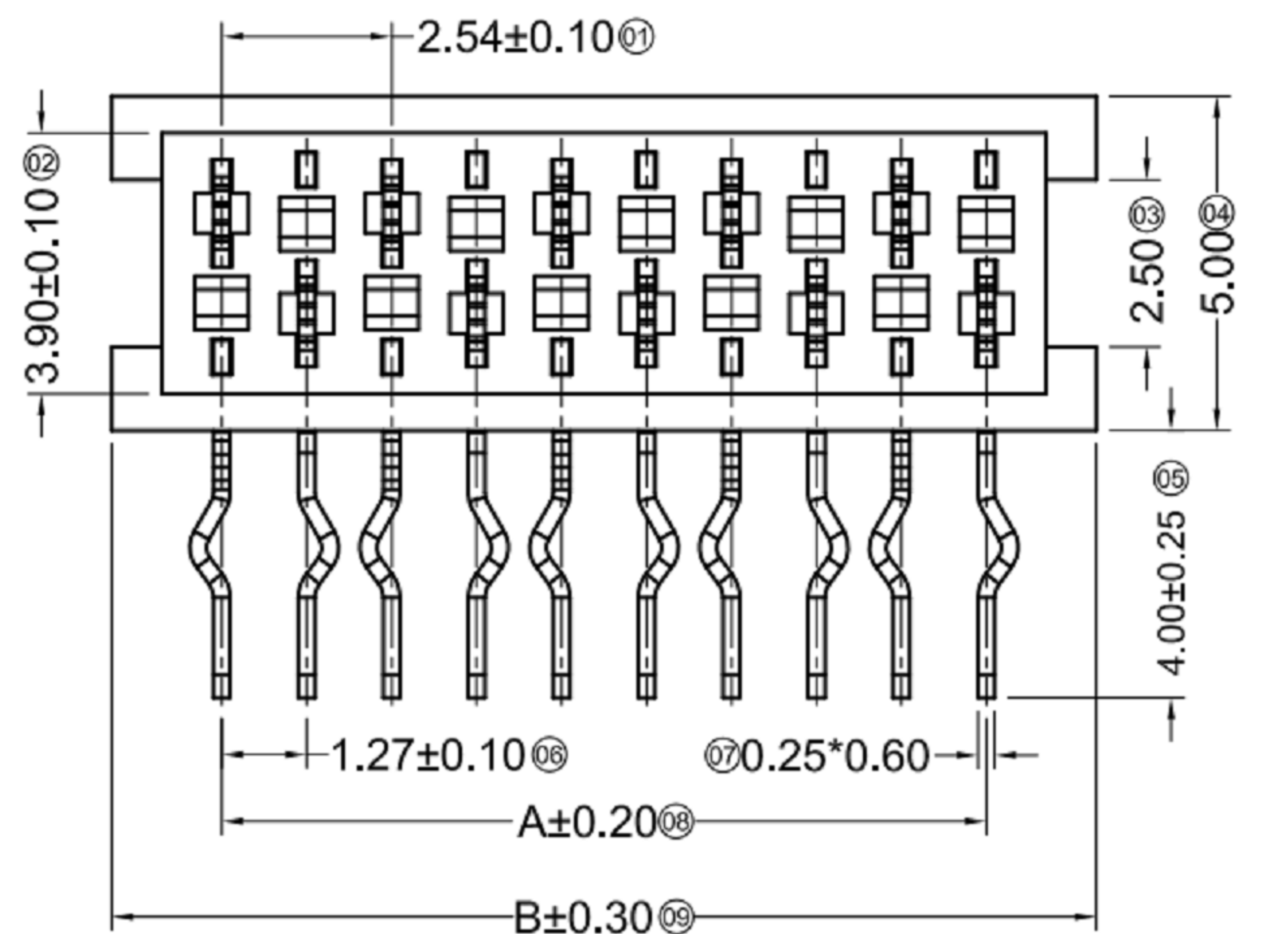
① ② ③ ④ ⑤ ⑥ ⑦ ⑧ ⑨

- ① Series No.
- ② Category: W-wafer
- ③ Welding Board Angle: V- Straight 180°
- ④ Welding Way: S-SMT
- ⑤ Row No.-Pin No.: XX-04P~26P
- ⑥ Plug the Pin & Special No.:  
B3-With boss, tail, Ear, Double Concave
- ⑦ Material: 9T-Nylon 9T 94V-0
- ⑧ Planting Category: SN-Bright tin plating
- ⑨ Color: RE-Red RD-purplish red

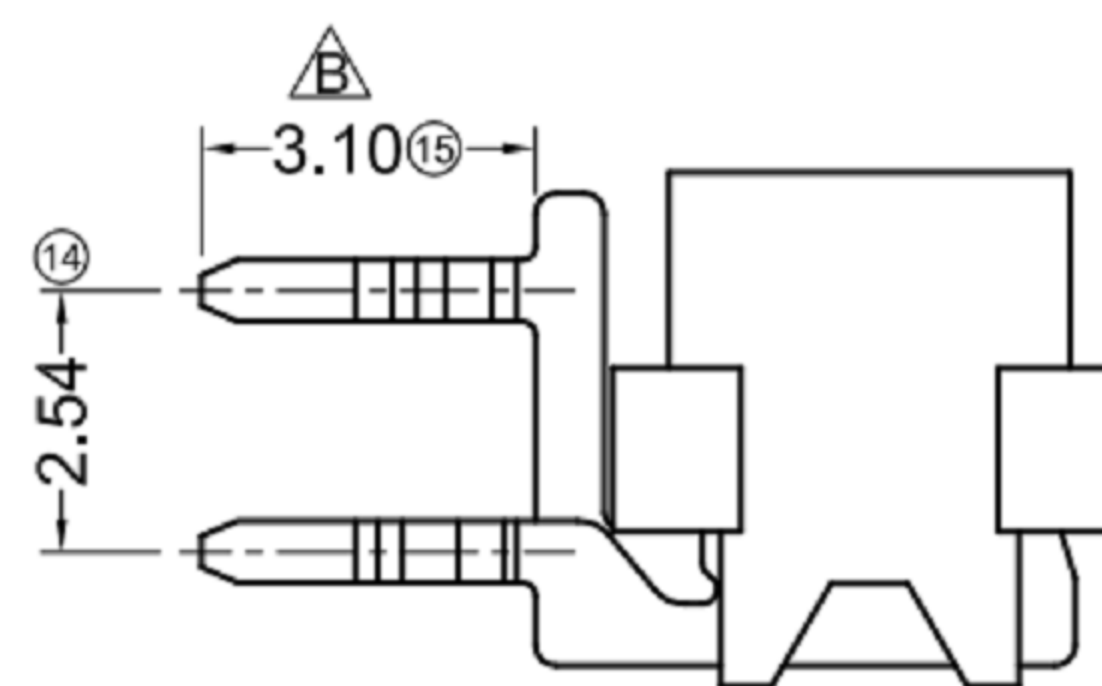
Poles	Dimensions(mm)			Poles	Dimensions(mm)		
	A	B	C		A	B	C
4	3.81	9.70	5.60	16	19.05	24.94	20.84
6	6.35	12.24	8.14	18	21.59	27.48	23.38
8	8.89	14.78	10.68	20	24.13	30.02	25.92
10	11.43	17.32	13.22	22	26.67	32.56	28.46
12	13.97	19.86	15.76	24	29.21	35.10	31.00
14	16.51	22.40	18.30	26	31.75	37.64	33.54

X9127WVS-XXB3-9TSNRD	Purplish red	PA9T UL 94V-0	Brass	Tin-Plated
X9127WVS-XXB3-9TSNRE	RED			
PART NO	Color	Material	Material(Pin)	Finish(Pin)

REVISIONS				ANGULAR	±5°		DSND	SCALE: N/A	MODEL TYPE: BOARD TO BOARD CONNECTOR			
DATE				L ≤ 4	±0.2		DWN	VIEW:	PART NO.:			
REVISED				4 < L ≤ 16	±0.3		CHKD	UNIT: mm/in	DWG NO.:			
APPROVED				16 < L ≤ 63	±0.4		APPD	SIZE: A4	WEIGHT			
UNSPECIFIED TOLERANCES				L > 63	±0.5	DONG GUAN XI BANG ELECTRONIC CO., LTD			SHEET			
www.alpsr.com www.gdxjdz.com www.xbswitch.com							1/1			REVISION		
										A0		



Recommended P.C.B Layout(Top Side)  
(PCB BOARD TOLERANCE±0.05)



### Specifications :

- Voltage rating: 500V AC / DC
- Current rating: 1A AC / DC
- Withstanding voltage: 1000V AC/minute
- Temperature range: -40°C~+105°C
- Insulation resistance: ≥1000MΩ
- Contact resistance: ≤20mΩ
- After environmental testing: ≤30mΩ

X9127 W R X-XX A2-9T SN XX

① ② ③ ④ ⑤ ⑥ ⑦ ⑧ ⑨

- ① Series No.
- ② Category: W-wafer
- ③ Welding Board Angle: R-Right Angle 90°
- ④ Welding Way: Blank-DIP
- ⑤ Row No.-Pin No.: XX-04P~26P
- ⑥ Plug the Pin & Special No.:  
A2-Without Ear and boss、With tail and Concave
- ⑦ Material: 9T-Nylon 9T 94V-0
- ⑧ Planting Category: SN-Bright tin plating
- ⑨ Color: RE-Red RD-purplish red

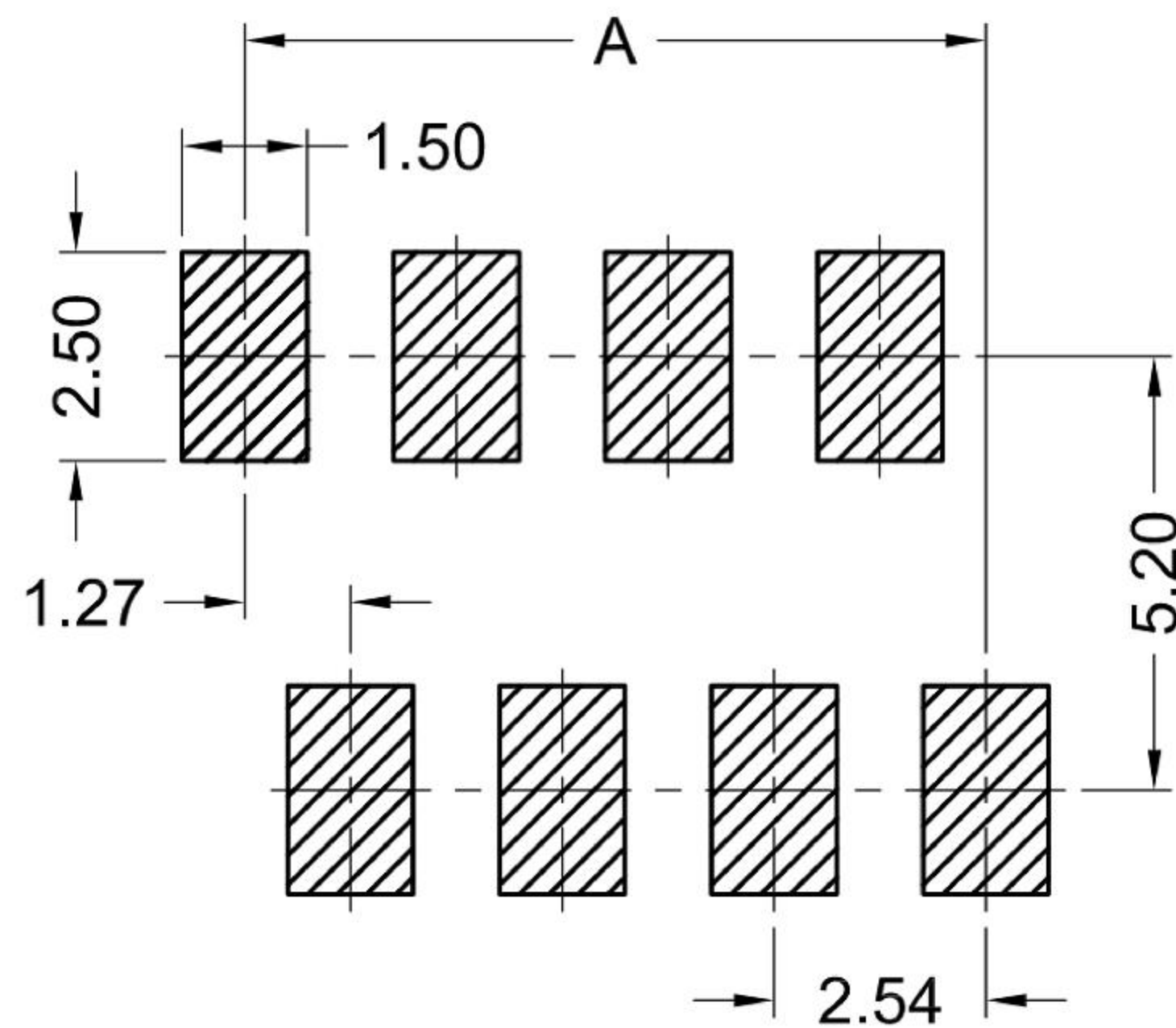
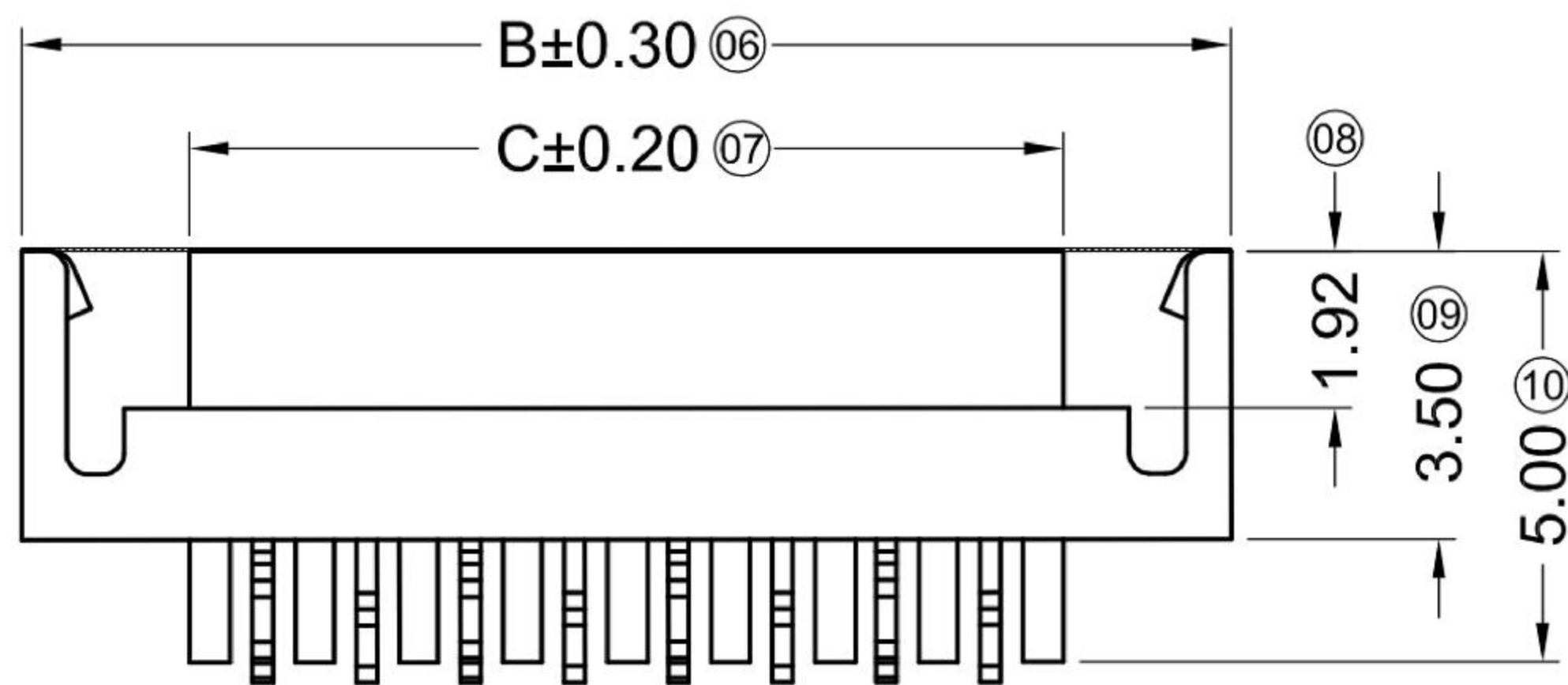
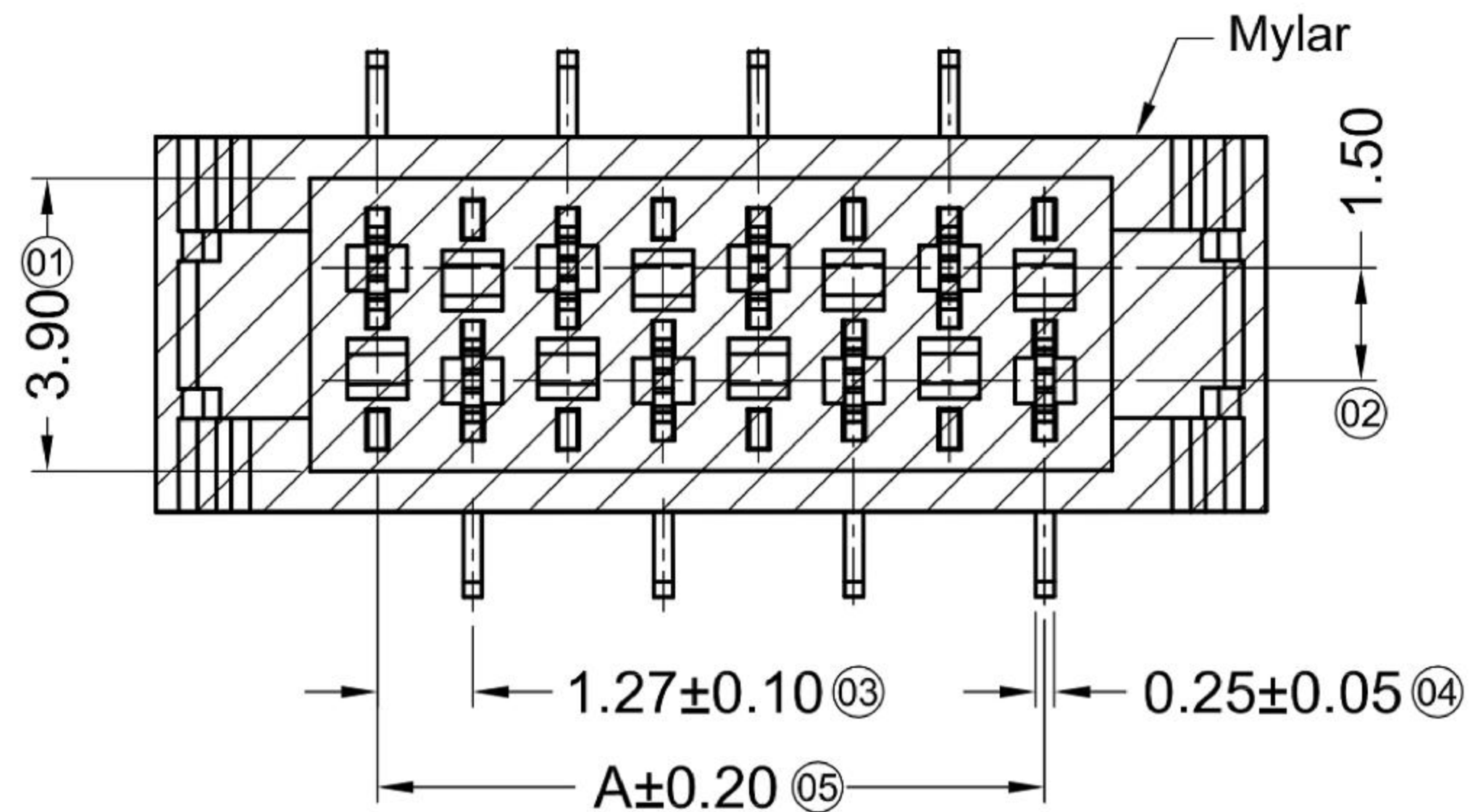
Poles	Dimensions(mm)			Poles	Dimensions(mm)		
	A	B	C		A	B	C
04	3.81	7.00	5.60	16	19.05	22.24	20.84
06	6.35	9.54	8.14	18	21.59	24.78	23.38
08	8.89	12.08	10.68	20	24.13	27.32	25.92
10	11.43	14.62	13.22	22	26.67	29.86	28.46
12	13.97	17.16	15.76	24	29.21	32.40	31.00
14	16.51	19.70	18.30	26	31.75	34.94	33.54

X9127WR-XXA2-9TSNRD	Purplish red	PA9T UL 94V-0	Brass	Tin-Plated
X9127WR-XXA2-9TSNRE	Red			
PART NO	Color	Material	Material(Pin)	Finish(Pin)

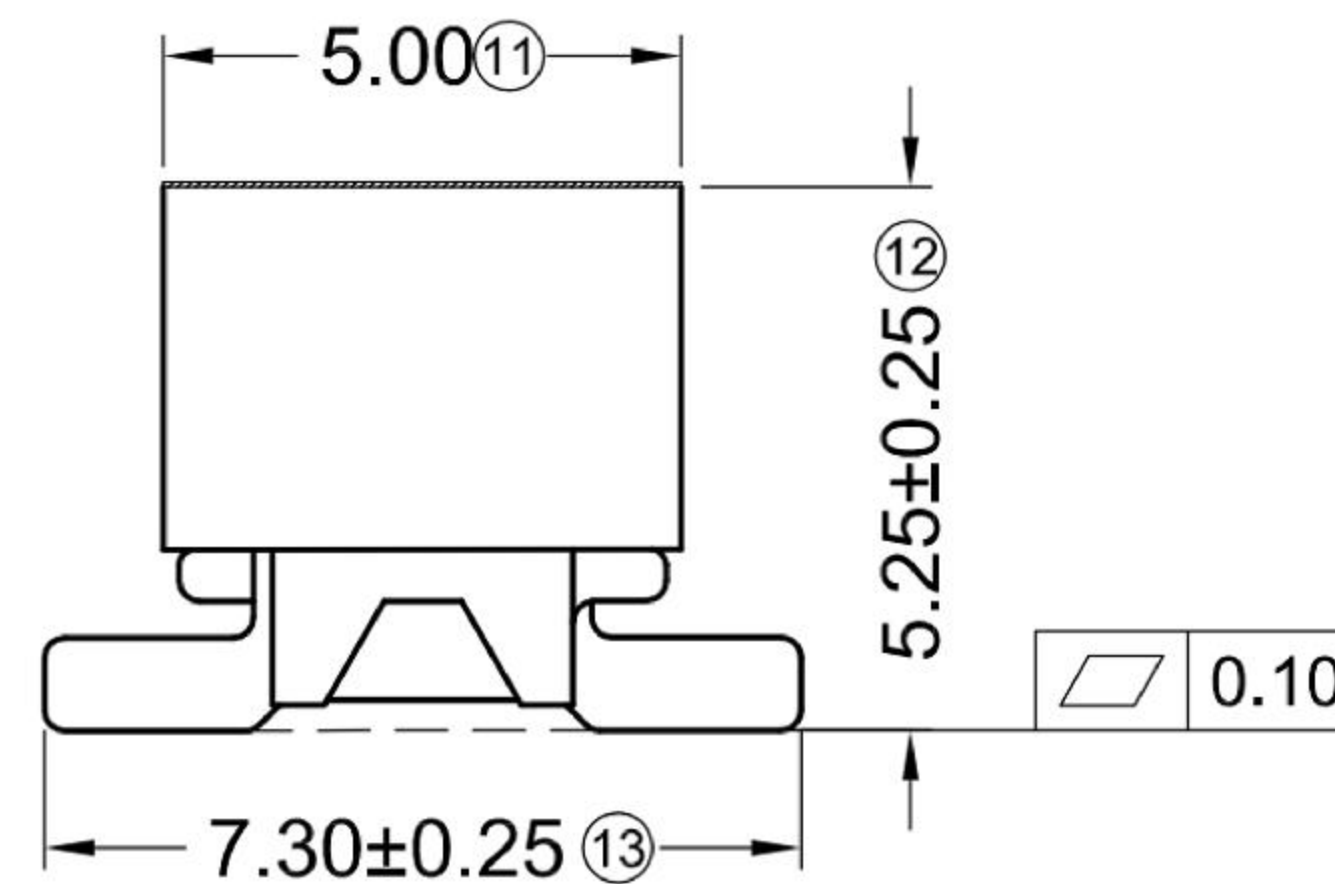
REVISIONS					ANGULAR	±5°	DSND	SCALE: N/A	MODEL TYPE:		
DATE	REVISED	APPROVED	UNSPECIFIED TOLERANCES	L ≤ 4					±0.2	DWN	VIEW:
				4 < L ≤ 16	±0.3	CHKD	UNIT: mm/in	PART NO.:			
				16 < L ≤ 63	±0.4	APPD	SIZE: A4	DWG NO.:			
				L > 63	±0.5	DONG GUAN XI BANG ELECTRONIC CO., LTD		WEIGHT	SHEET	REVISION	
www.alpsr.com www.gdxjdz.com www.xbswitch.com									1/1	A0	







Recommended PCB Layout(Top Side)  
(PCB Board Tolerance±0.05)



Poles	Dimensions(mm)			Poles	Dimensions(mm)		
	A	B	C		A	B	C
04	3.81	9.70	5.50	16	19.05	24.94	20.74
06	6.35	12.24	8.04	18	21.59	27.48	23.28
08	8.89	14.78	10.58	20	24.13	30.02	25.82
10	11.43	17.32	13.12	22	26.67	32.56	28.36
12	13.97	19.86	15.66	24	29.21	35.10	30.90
14	16.51	22.40	18.20	26	31.75	37.64	33.44

X9127WVS-XXB2-9TSNRD	Purplish red	PA9T UL 94V-0	Brass	Tin-Plated
X9127WVS-XXB2-9TSNRE	RED			
PART NO	Color	Material	Material(Pin)	Finish(Pin)

### Specifications :

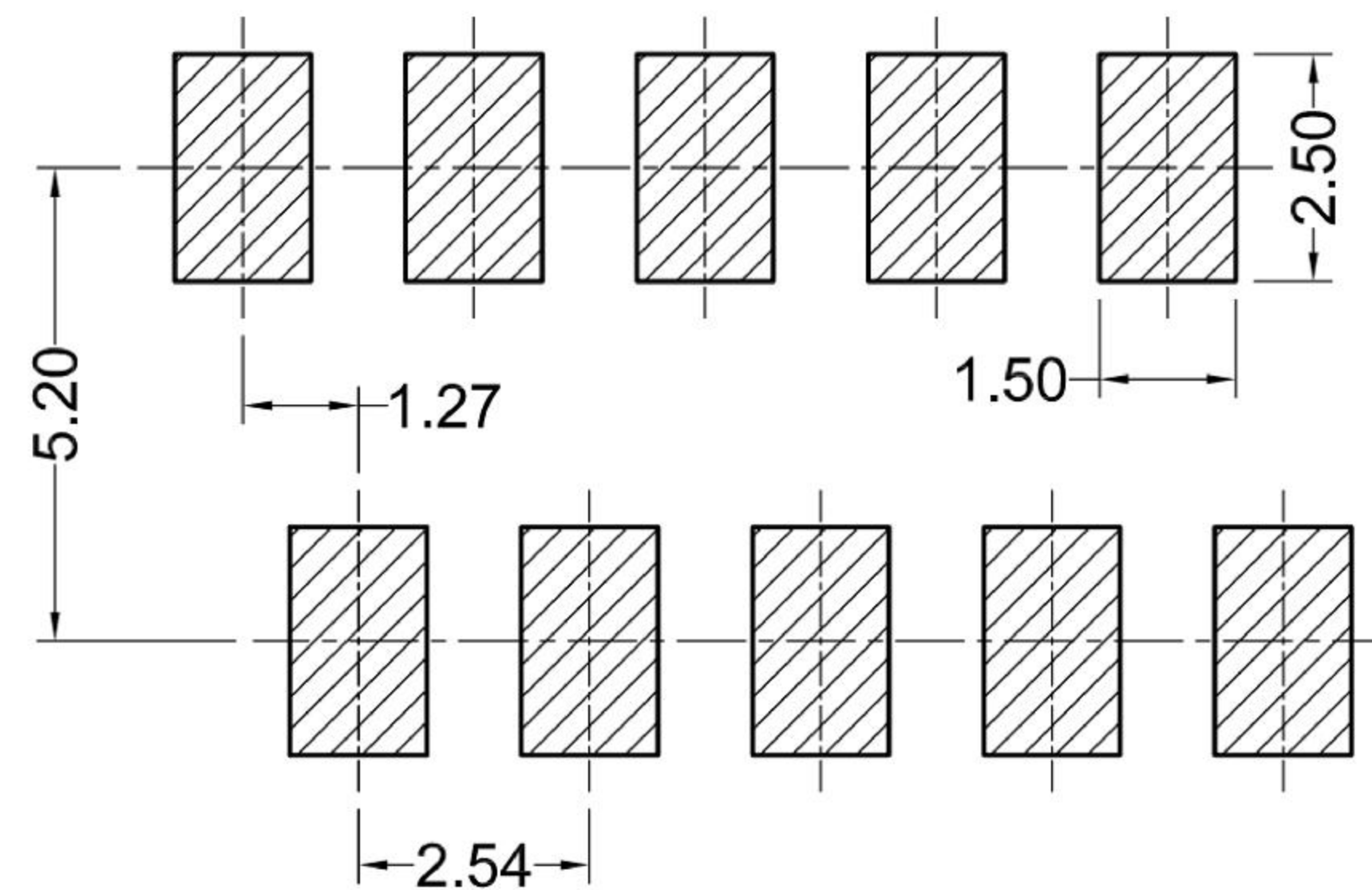
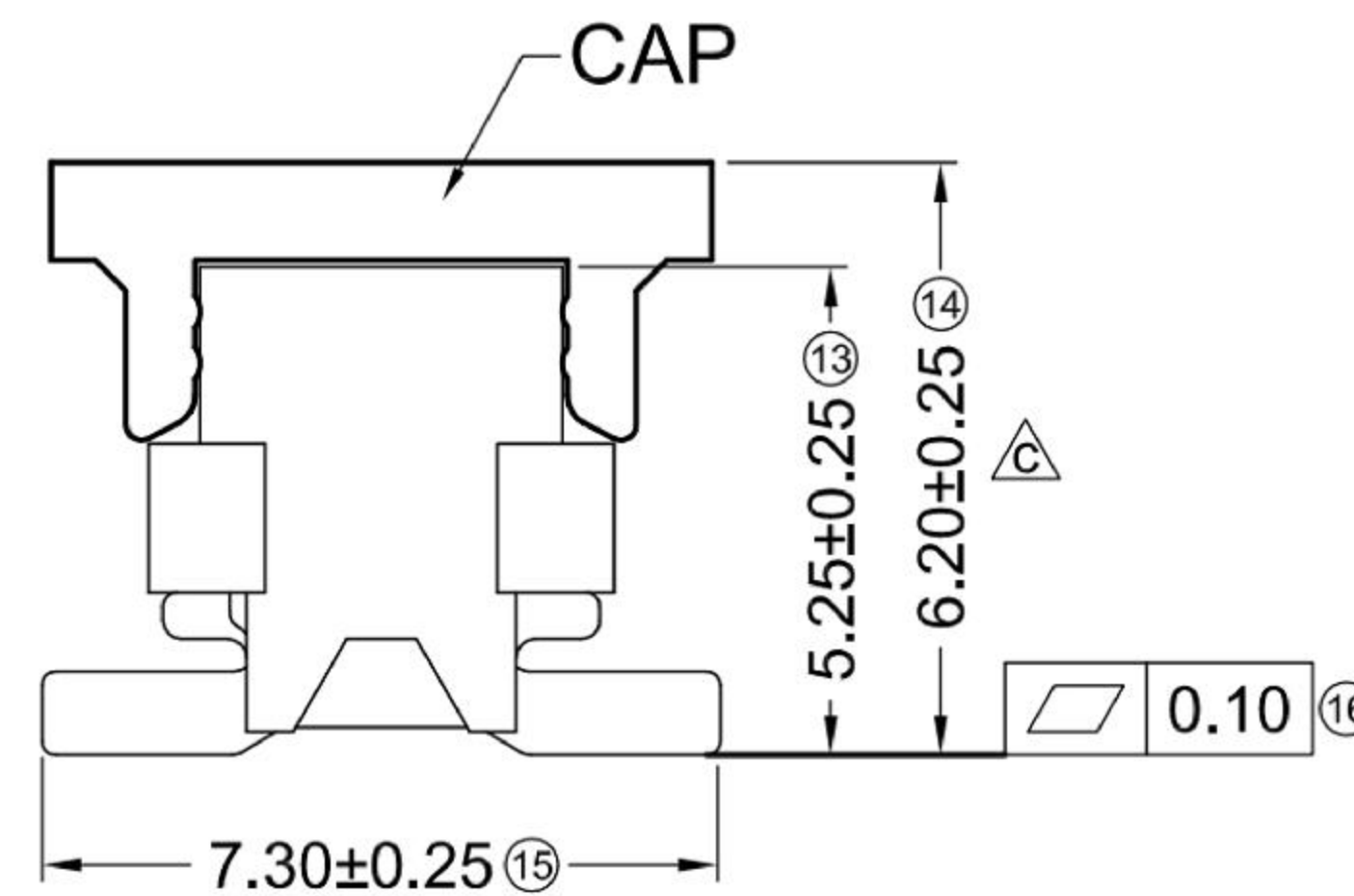
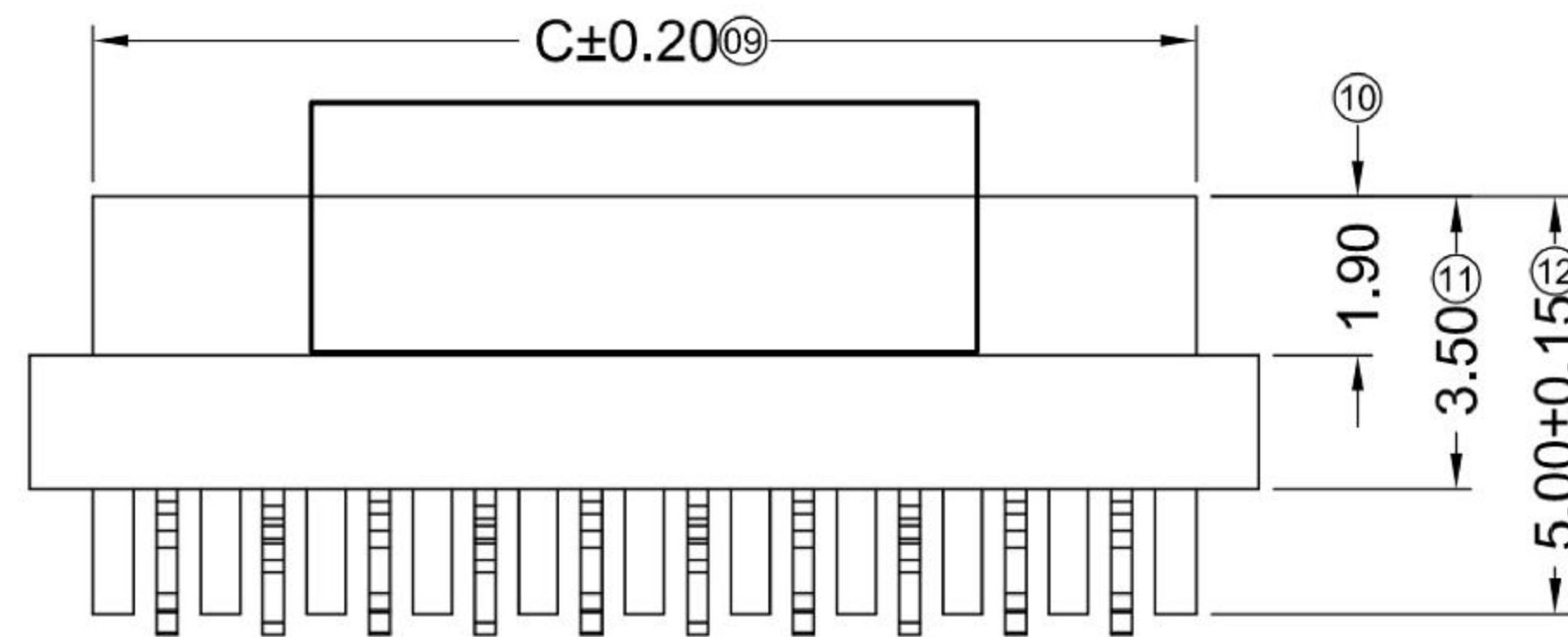
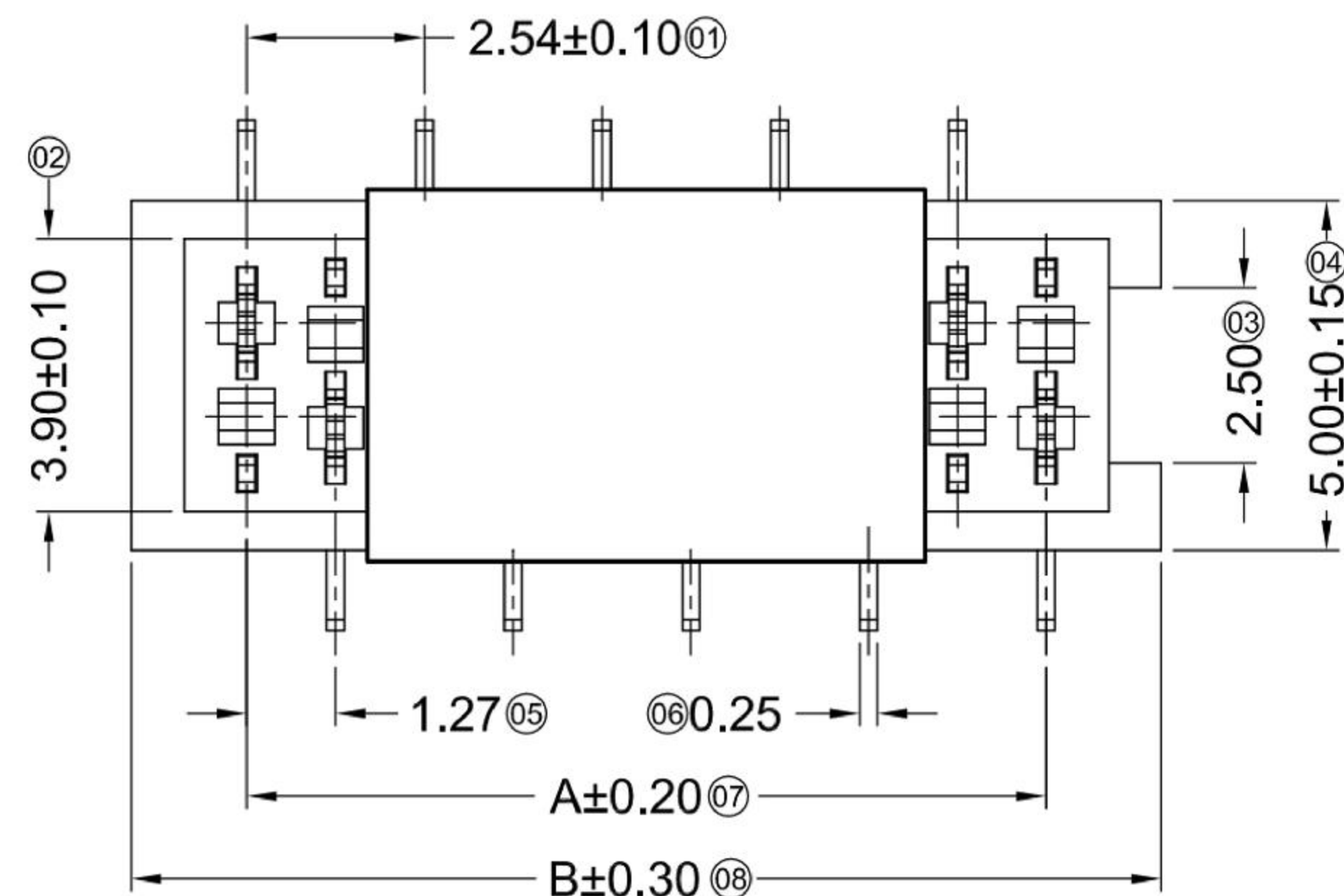
- Voltage rating: 500V AC / DC
- Current rating: 1A AC / DC
- Withstanding voltage: 500V AC/minute
- Temperature range: -40°C~+105°C
- Insulation resistance: ≥1000MΩ
- Contact resistance: ≤10mΩ
- After environmental testing: ≤20mΩ

X9127 W V S-XX B2-9T SN XX

① ② ③ ④ ⑤ ⑥ ⑦ ⑧ ⑨

- ① Series No.
- ② Category: W-wafer
- ③ Welding Board Angle: V- Straight 180°
- ④ Welding Way: S-SMT
- ⑤ Row No.-Pin No.: XX-04P~26P
- ⑥ Plug the Pin & Special No.:  
B2-With Ear, Concave
- ⑦ Material: 9T-Nylon 9T 94V-0
- ⑧ Planting Category: SN-Bright tin plating
- ⑨ Color: RE-Red RD-purplish red

ANGLAR	±5°		DSND		SCALE: N/A	MODEL TYPE: BOARD TO BOARD CONNECTOR	
L ≤ 4	±0.2		DWN		VIEW:	PART NO.:	
4 < L ≤ 16	±0.3		CHKD		UNIT: mm/in	DWG NO.:	
16 < L ≤ 63	±0.4		APPD		SIZE: A4		
L > 63	±0.5						
UNSPECIFIED TOLERANCES		DONG GUAN XI BANG ELECTRONIC CO., LTD			WEIGHT	SHEET	REVISION
www.alpsr.com www.gdxjdz.com www.xbswitch.com						1/1	A0



Recommended PCB Layout(Top Side)  
(PCB Board Tolerance±0.05)

## Specifications :

- Voltage rating: 500V AC / DC
- Current rating: 1A AC / DC
- Withstanding voltage: 500V AC/minute
- Temperature range: -40°C~+105°C
- Insulation resistance: ≥1000MΩ
- Contact resistance: ≤10mΩ
- After environmental testing: ≤20mΩ



X9127 W V S-XX AC-9T SN XX

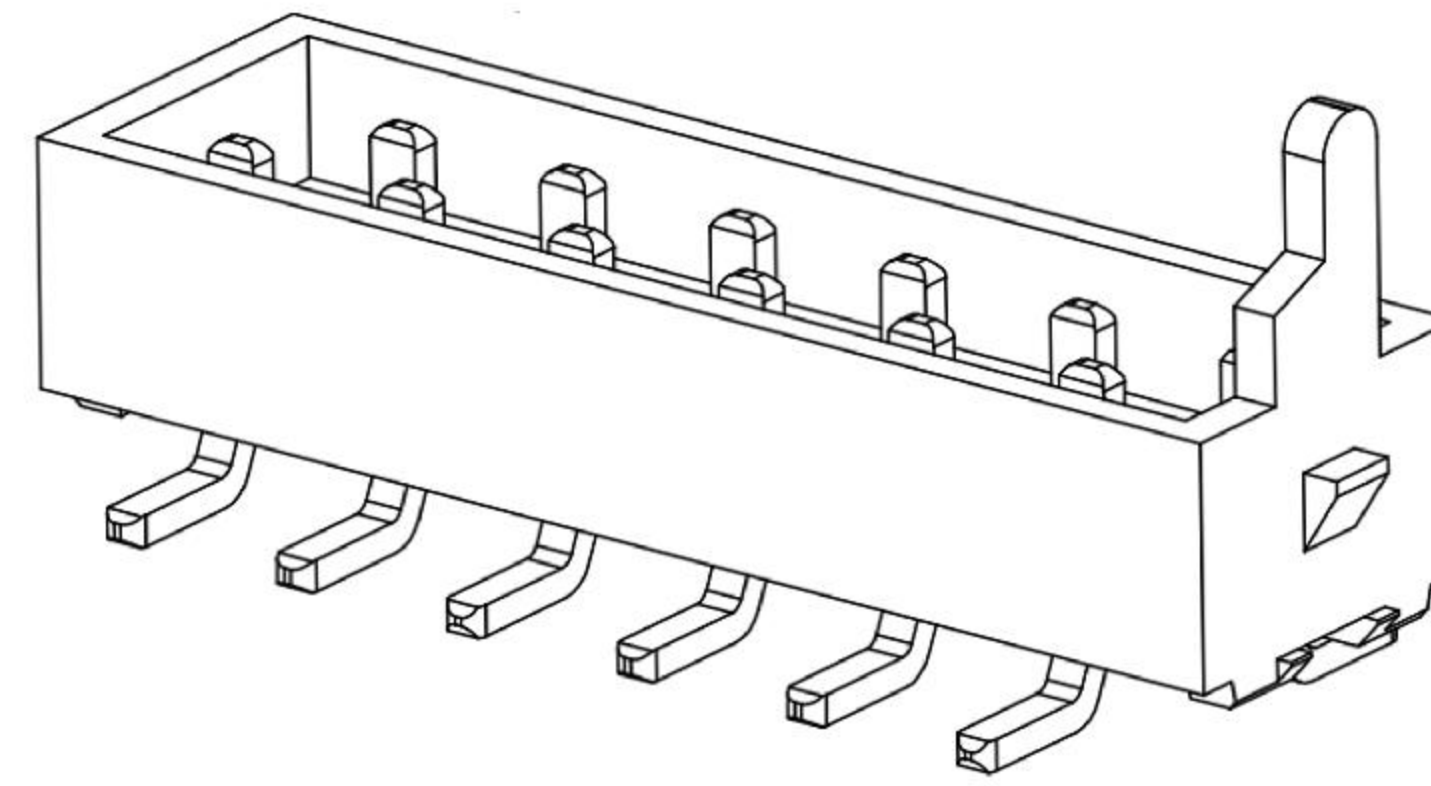
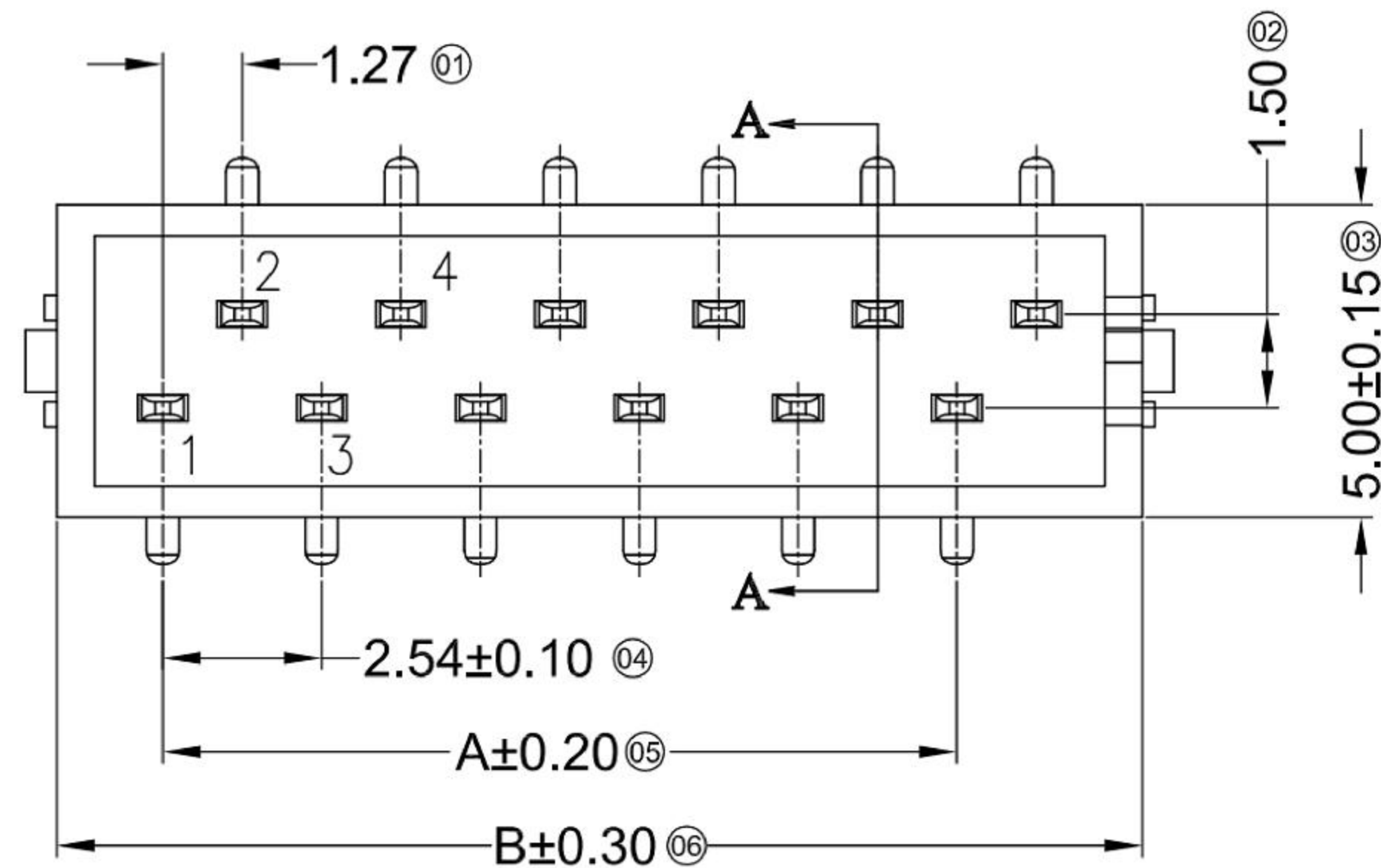
① ② ③ ④ ⑤ ⑥ ⑦ ⑧ ⑨

- ① Series No.
- ② Category: W-wafer
- ③ Welding Board Angle: V- Straight 180°
- ④ Welding Way: S-SMT
- ⑤ Row No.-Pin No.: XX-04P~26P
- ⑥ Plug the Pin & Special No.:  
AC-With Single Gap and Cap
- ⑦ Material: 9T-Nylon 9T 94V-0
- ⑧ Planting Category: SN-Bright tin plating
- ⑨ Color: RE-Red RD-purplish red

Poles	Dimensions(mm)			Poles	Dimensions(mm)		
	A	B	C		A	B	C
04	3.81	7.00	5.60	16	19.05	22.24	20.84
06	6.35	9.54	8.14	18	21.59	24.78	23.38
08	8.89	12.08	10.68	20	24.13	27.32	25.92
10	11.43	14.62	13.22	22	26.67	29.86	28.46
12	13.97	17.16	15.76	24	29.21	32.40	31.00
14	16.51	19.70	18.30	26	31.75	34.94	33.54

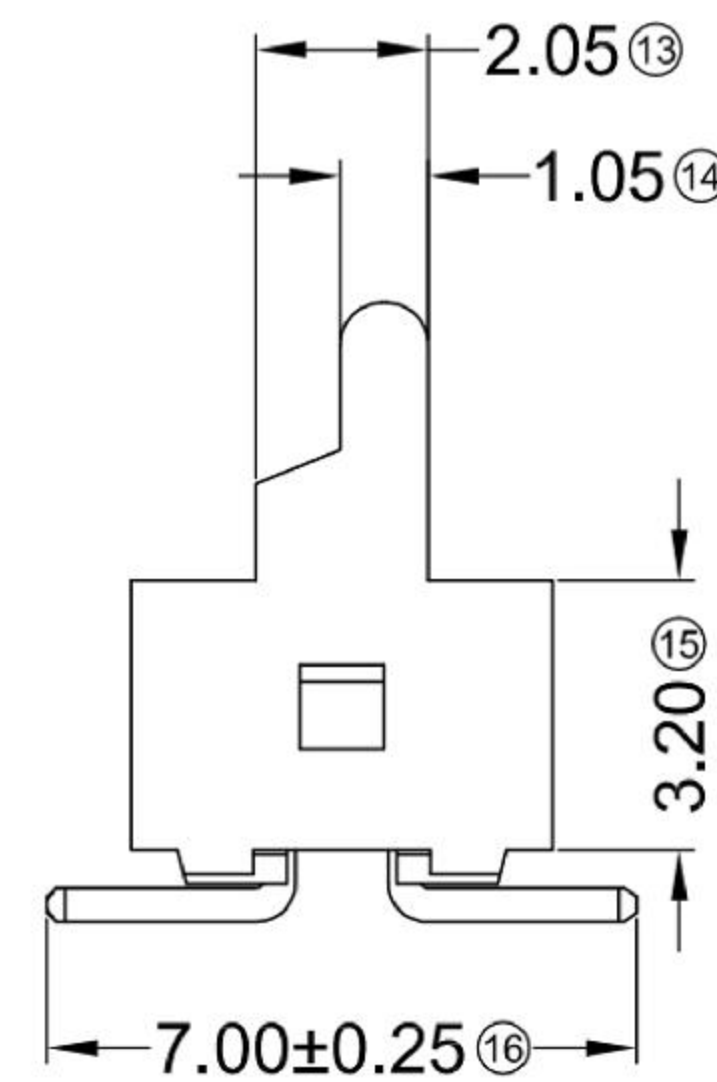
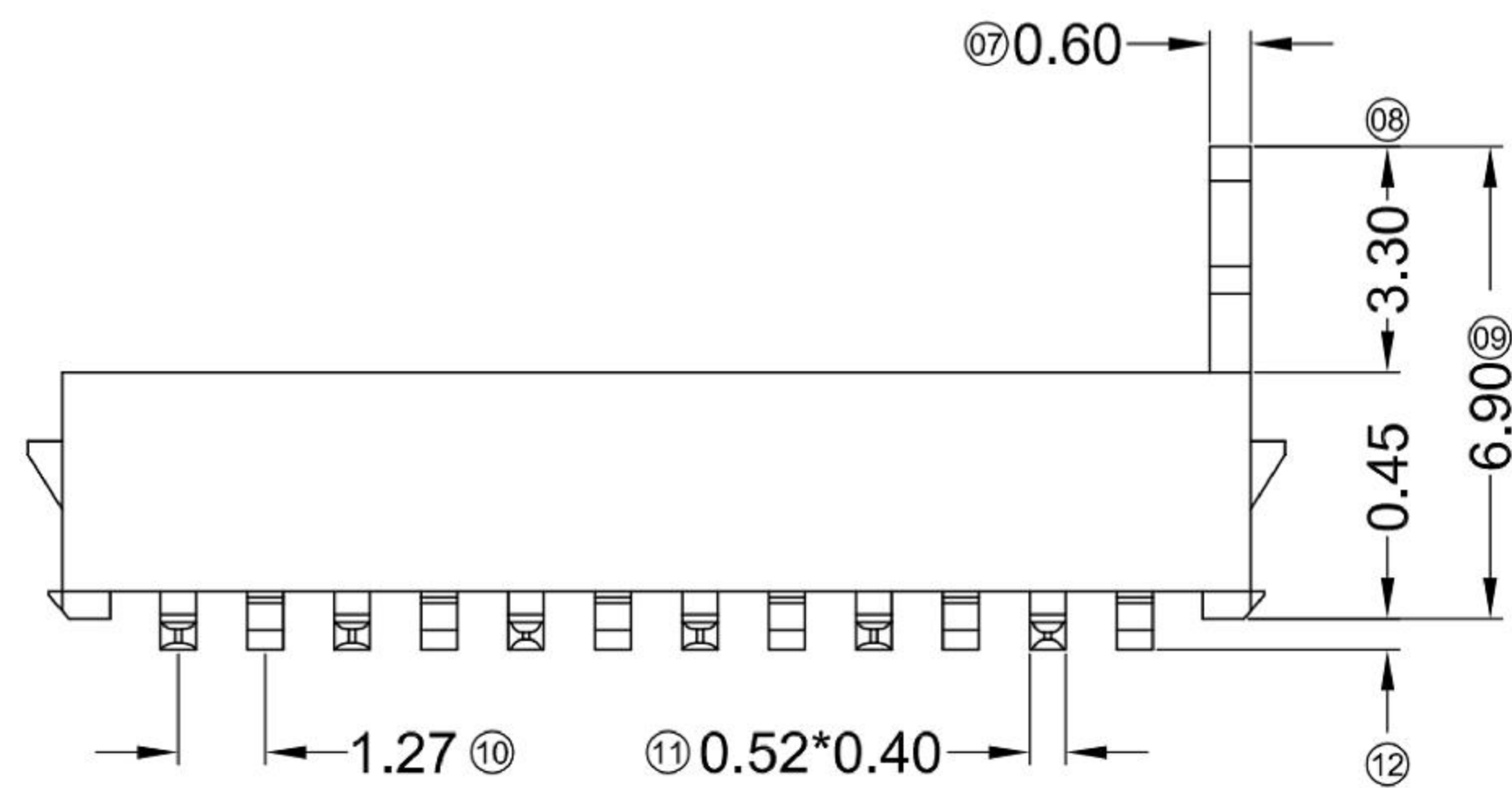
X9127WVS-XXAC-9TSNRD	Purplish red	PA9T UL 94V-0	Brass	Tin-Plated
X9127WVS-XXAC-9TSNRE	RED			
PART NO	Color	Material	Material(Pin)	Finish(Pin)

REVISIONS				ANGULAR	±5°		DSND	SCALE: N/A	MODEL TYPE: BOARD TO BOARD CONNECTOR				
DATE				L ≤ 4	±0.2		DWN	VIEW: 	PART NO.:				
REVISED				4 < L ≤ 16	±0.3		CHKD	UNIT: mm/in	DWG NO.:				
APPROVED				16 < L ≤ 63	±0.4		APPD	SIZE: A4					
				L > 63	±0.5	UNSPECIFIED TOLERANCES		DONG GUAN XI BANG ELECTRONIC CO., LTD			WEIGHT	SHEET	REVISION
www.alpsr.com www.gdxjdz.com www.xbswitch.com										1/1	A0		



### Specifications :

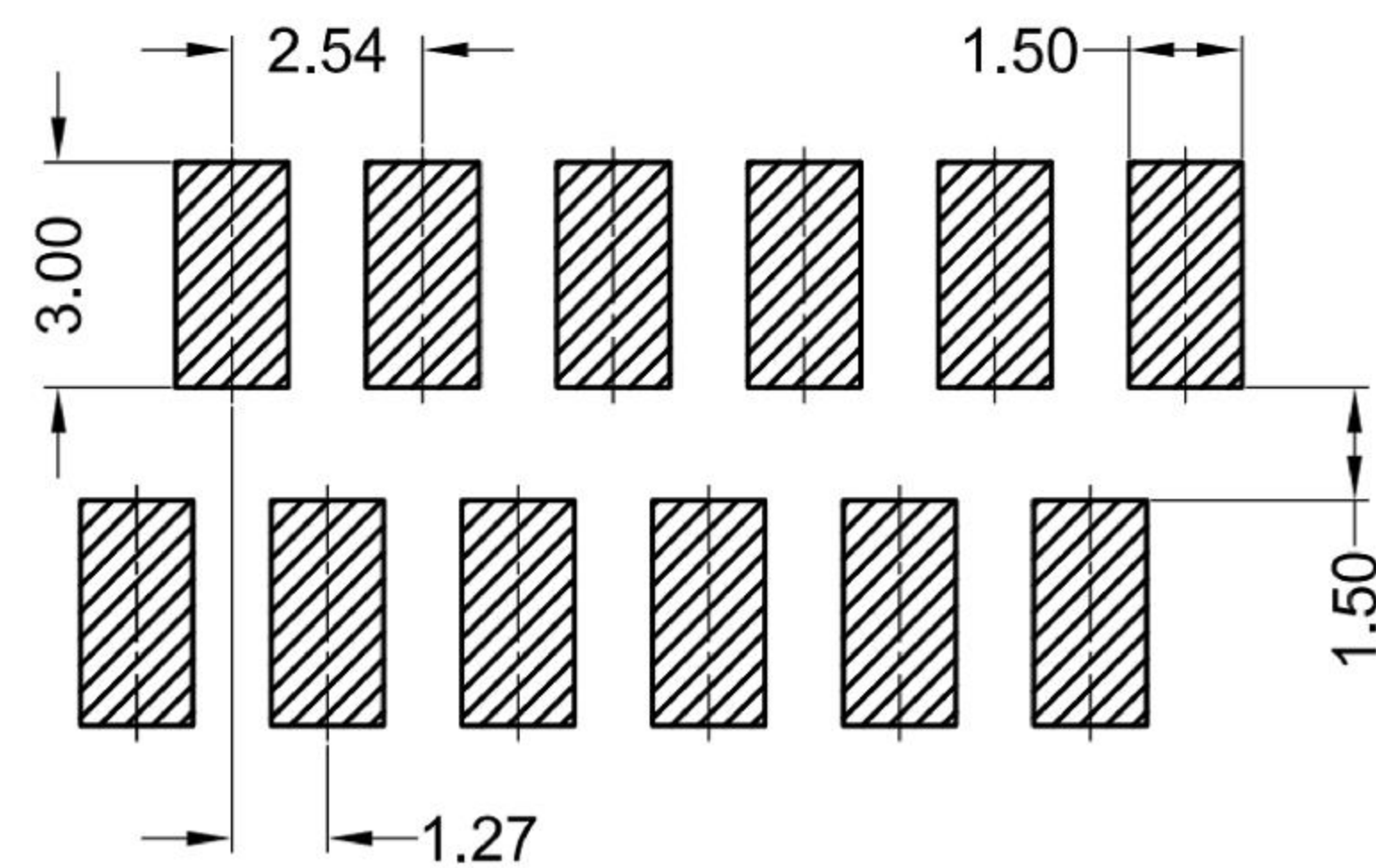
- Voltage rating: 500V AC / DC
- Current rating: 1A AC / DC
- Withstanding voltage: 1000V AC/minute
- Temperature range: -40°C~+105°C
- Insulation resistance: ≥1000MΩ
- Contact resistance: ≤20mΩ
- After environmental testing: ≤30mΩ



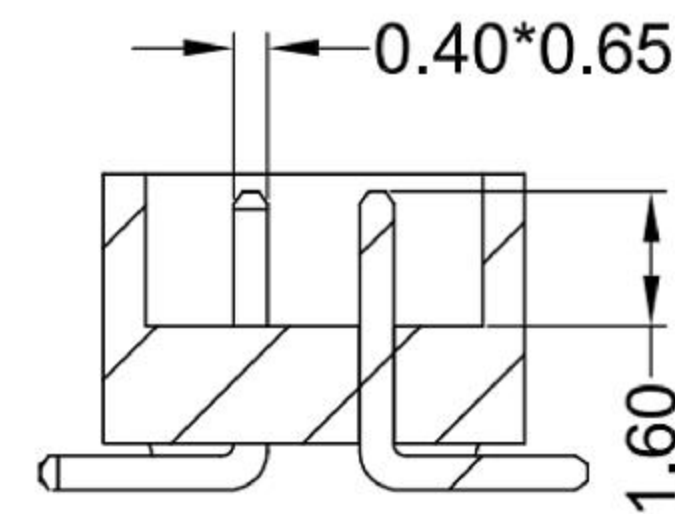
X9127 W V S-XX A-9T SN XX

① ② ③ ④ ⑤ ⑥ ⑦ ⑧ ⑨

- ① Series No.
- ② Category: W-wafer
- ③ Welding Board Angle: V-180°
- ④ Welding Way: S-SMT
- ⑤ Row No.-Pin No.: XX-Single Row
- ⑥ Plug the Pin & Special No.:  
A-Column with mistake-proof column
- ⑦ Material: 9T-Nylon 9T 94V-0;
- ⑧ Planting Category: SN-Bright Tin plating
- ⑨ Color: RE-Red



Recommended P.C.B Layout  
General Tolerance ±0.05

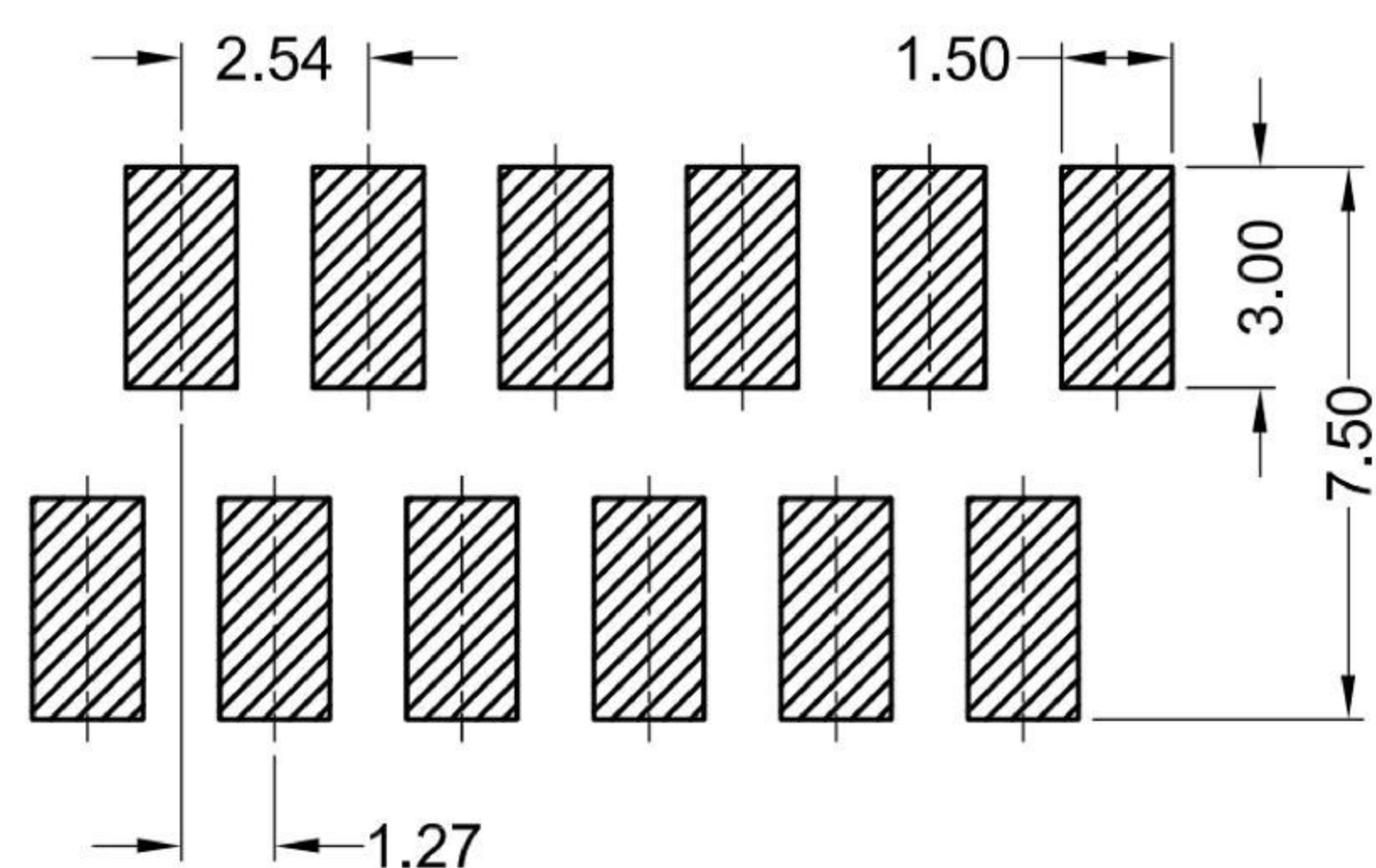
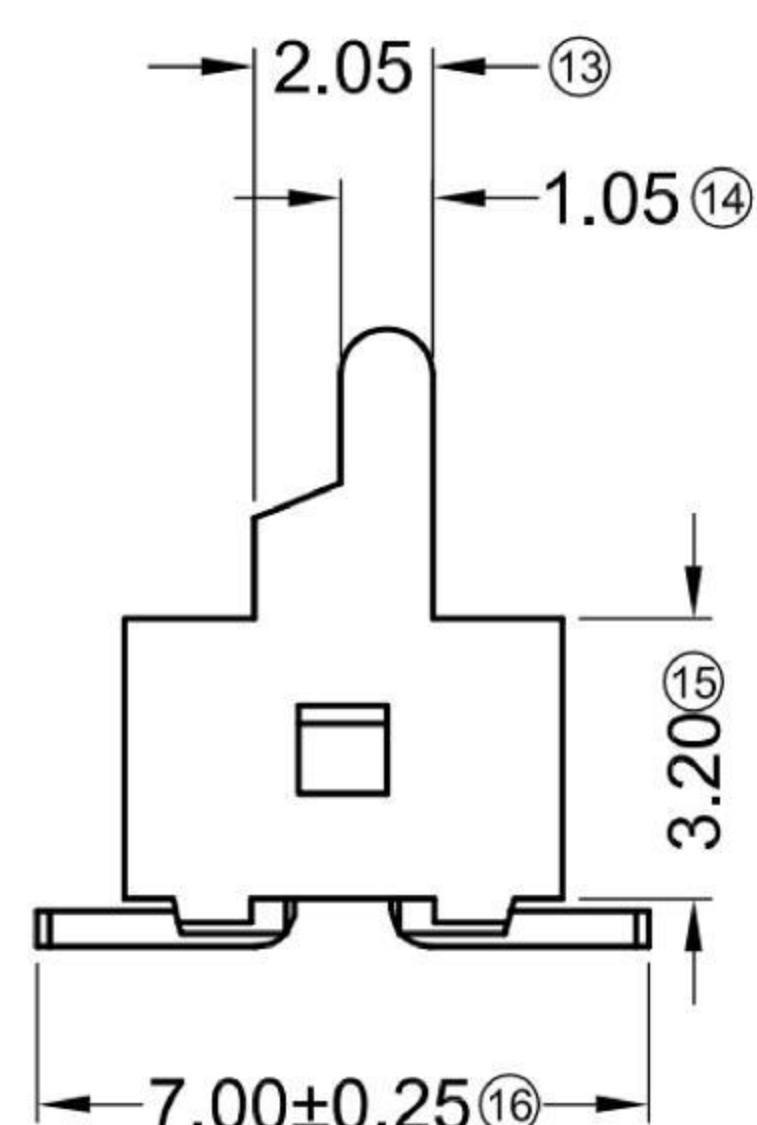
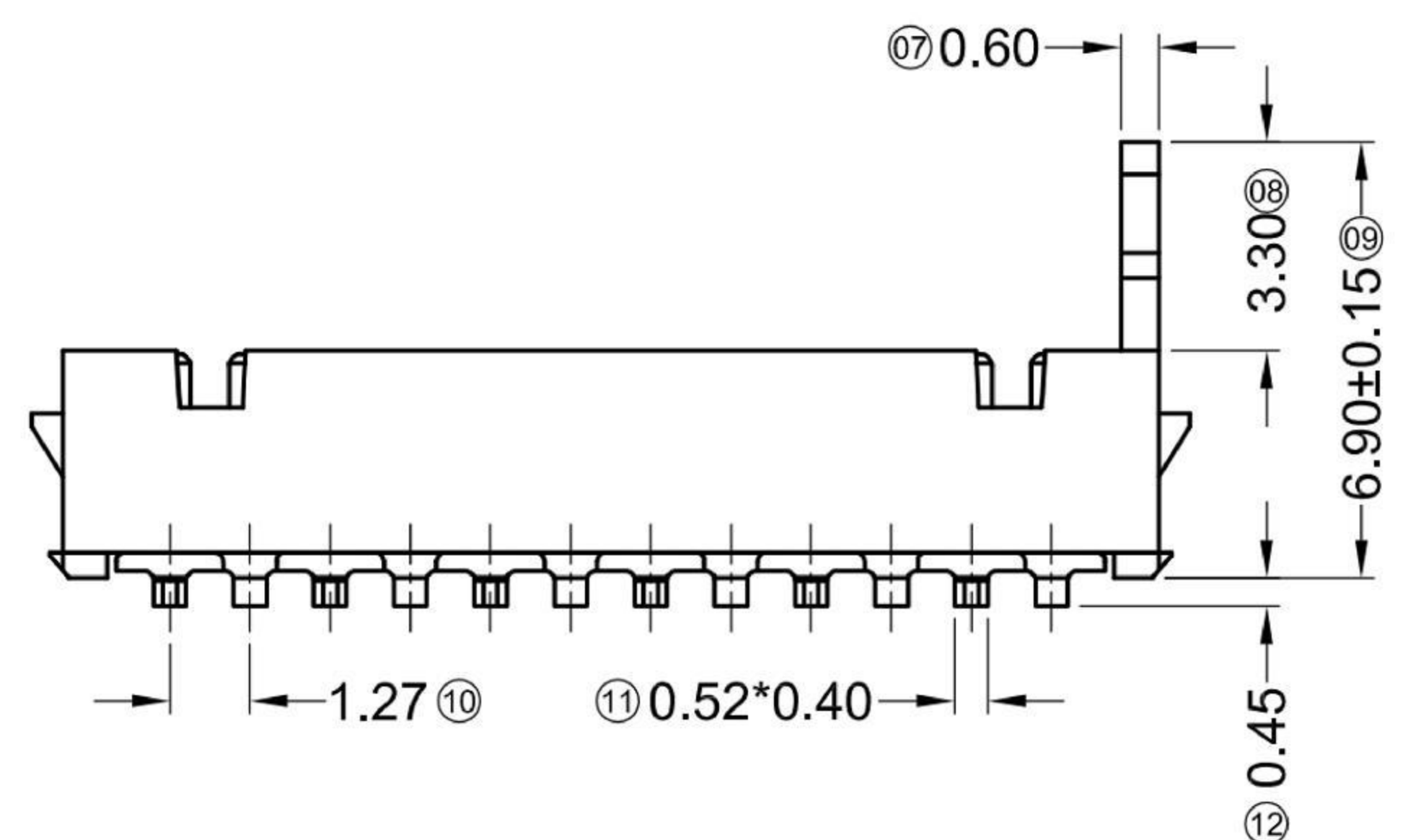
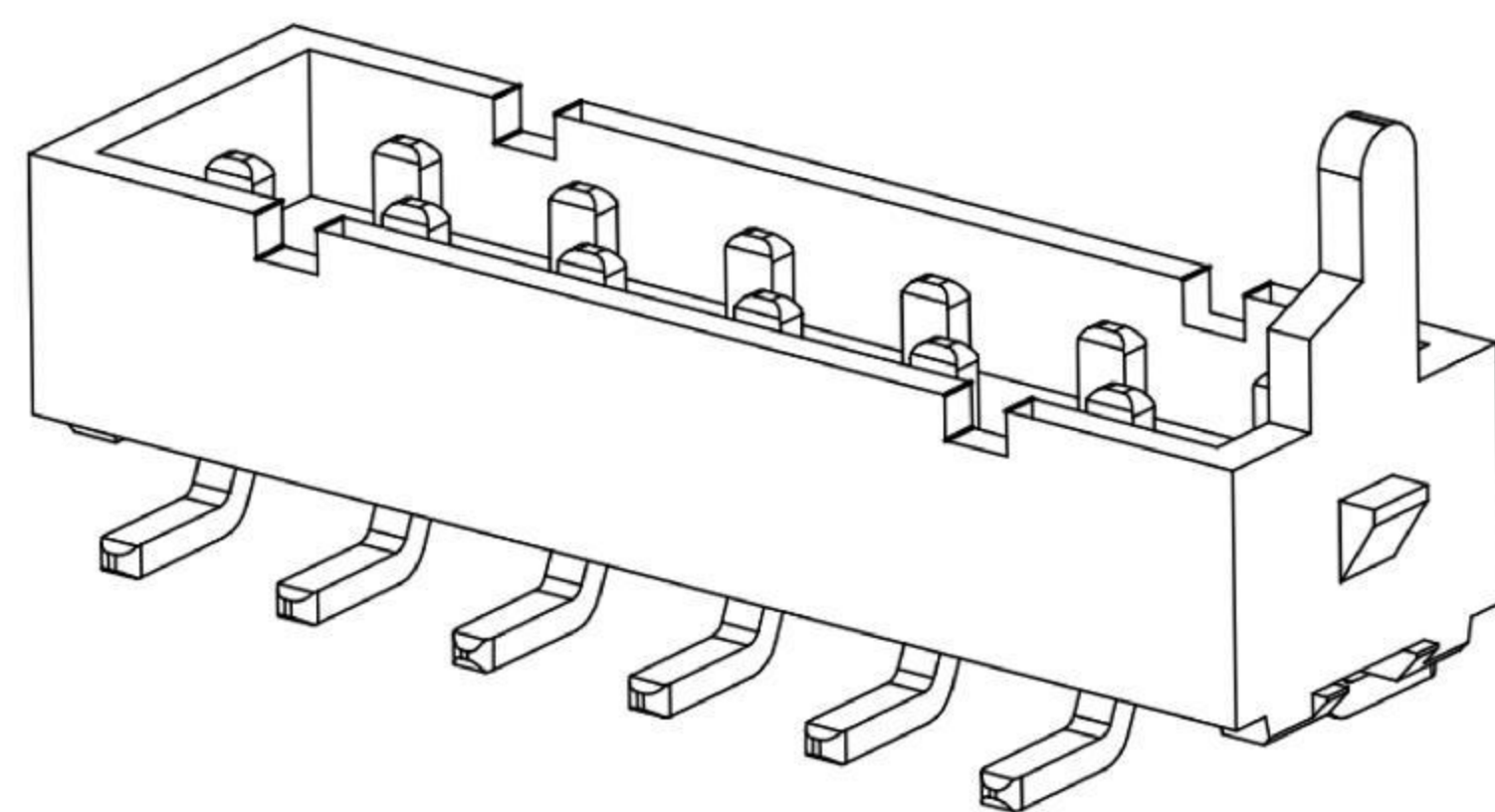
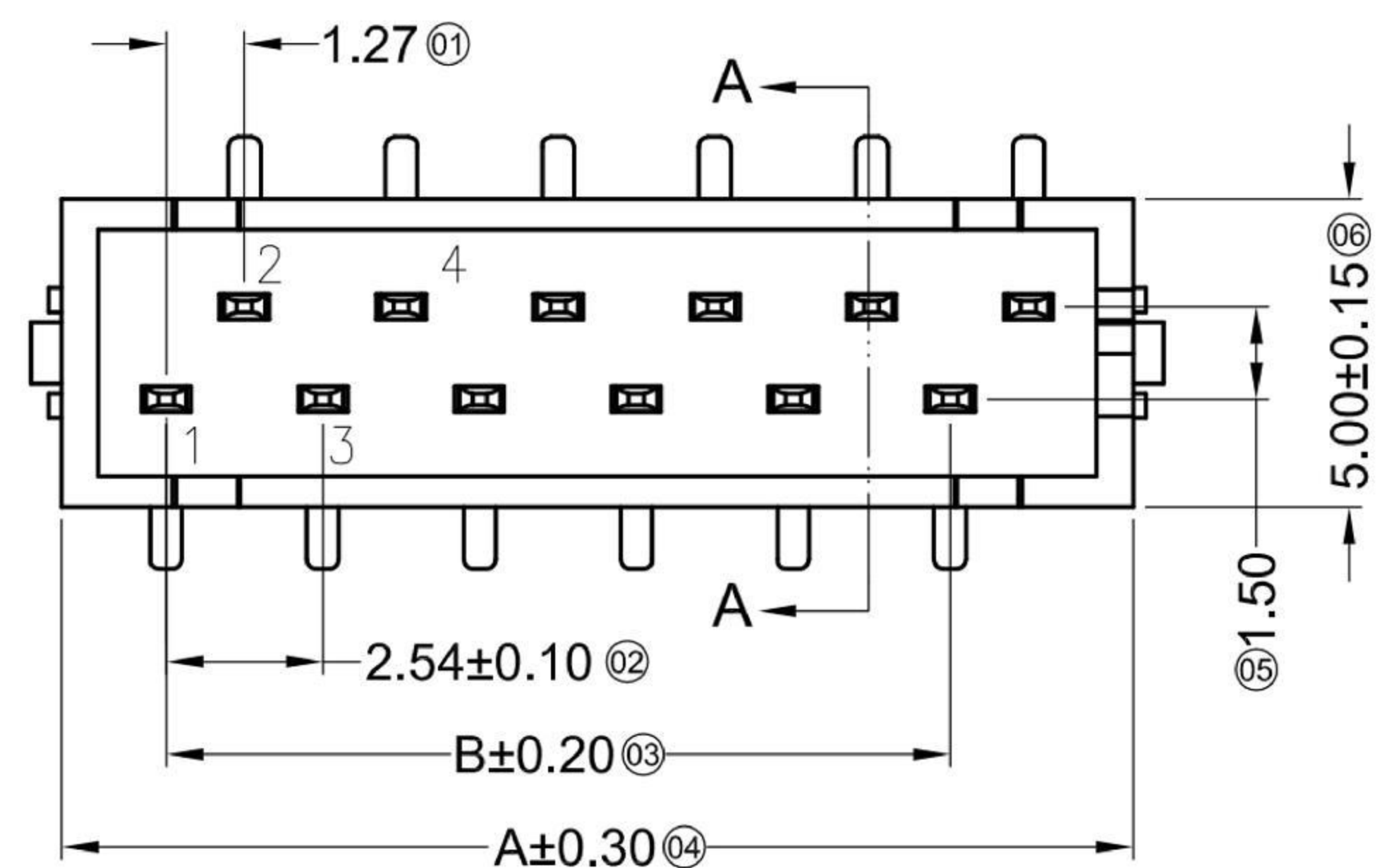


SECTION: A-A

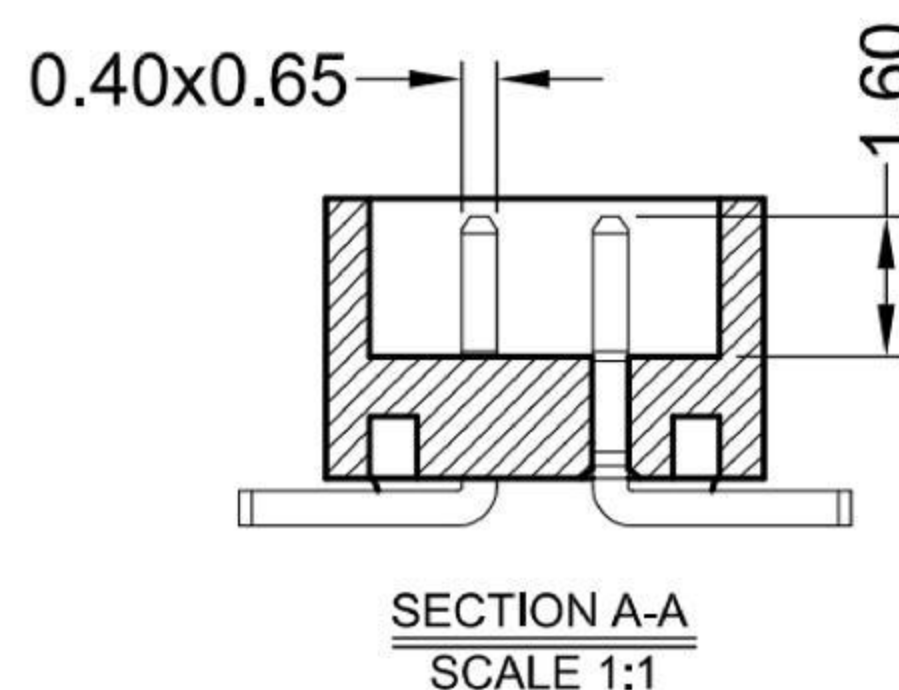
Poles	Dimensions(mm)		Poles	Dimensions(mm)	
	A	B		A	B
04	2.54	7.20	16	17.78	22.44
06	5.08	9.74	18	20.32	24.98
08	7.62	12.28	20	22.86	27.52
10	10.16	14.82	22	25.40	30.06
12	12.70	17.63	24	27.94	32.60
14	15.24	19.90	26	30.48	35.14

X9127WVS-XXA-9TSNRE	PA9T UL 94V-0	Brass	Tin-Plated
PART NO	Material	Material(Pin)	Finish(Pin)

REVISIONS				ANGULAR	±5°		DSND	SCALE: N/A	MODEL TYPE:
DATE	REVISED	APPROVED	L ≤ 4	±0.2	DWN		VIEW:	BOARD TO BOARD CONNECTOR	
			4 < L ≤ 16	±0.3	CHKD		UNIT: mm/in	PART NO.:	
			16 < L ≤ 63	±0.4	APPD		SIZE: A4	DWG NO.:	
				L > 63	±0.5	DONG GUAN XI BANG ELECTRONIC CO., LTD			
				UNSPECIFIED TOLERANCES			WEIGHT	SHEET	REVISION
www.alpsr.com www.gdxjdz.com www.xbswitch.com								1/1	A0



Recommended PCB Layout (Top Side)



## Specifications :

- Voltage rating: 500V AC / DC
- Current rating: 1A AC / DC
- Withstanding voltage: 1000V AC/minute
- Temperature range: -40°C~+105°C
- Insulation resistance: ≥1000MΩ
- Contact resistance: ≤20mΩ
- After environmental testing: ≤30mΩ

X9127 W V S-XX A4-XX SN XX

① ② ③ ④ ⑤ ⑥ ⑦ ⑧ ⑨

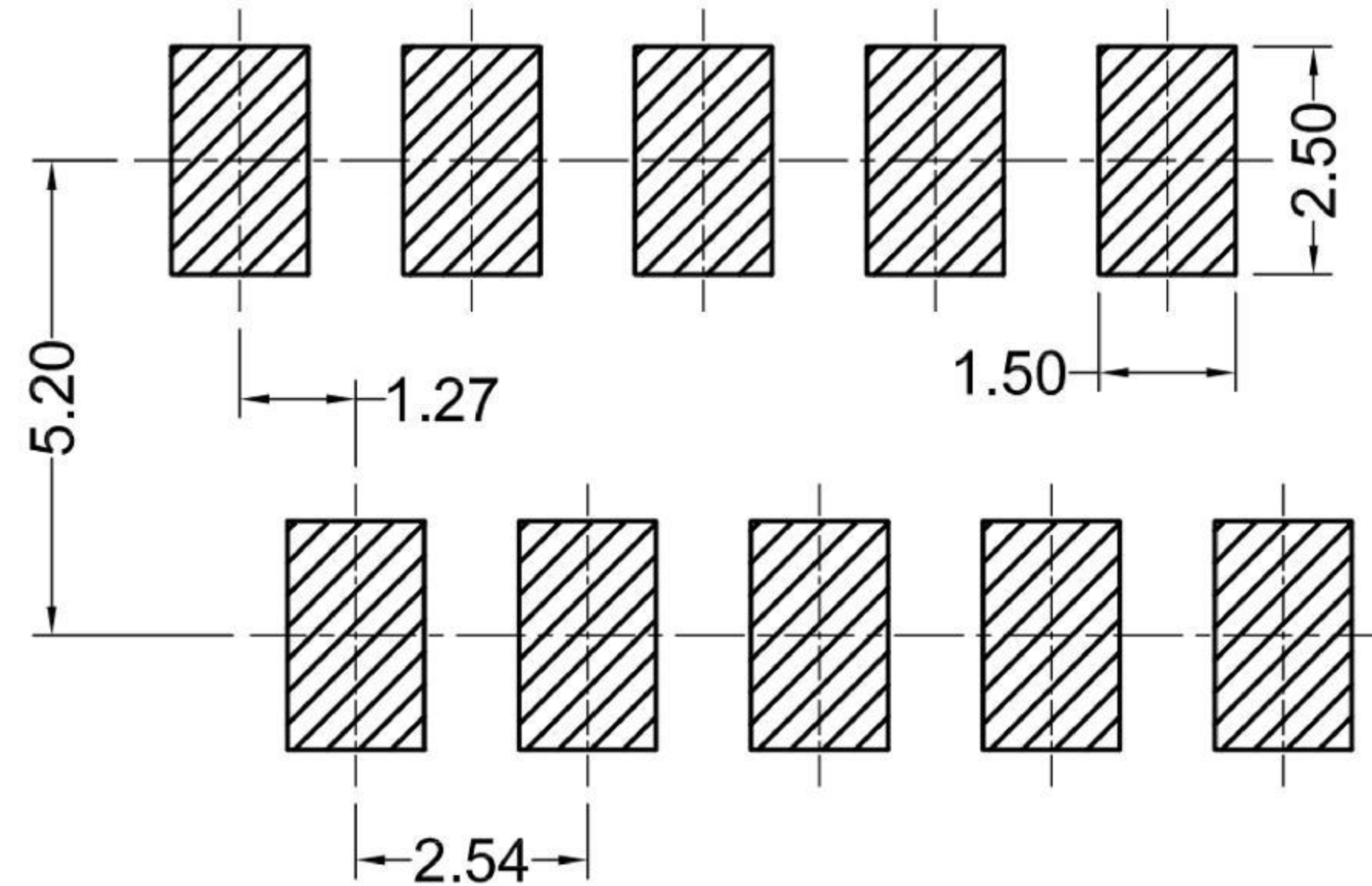
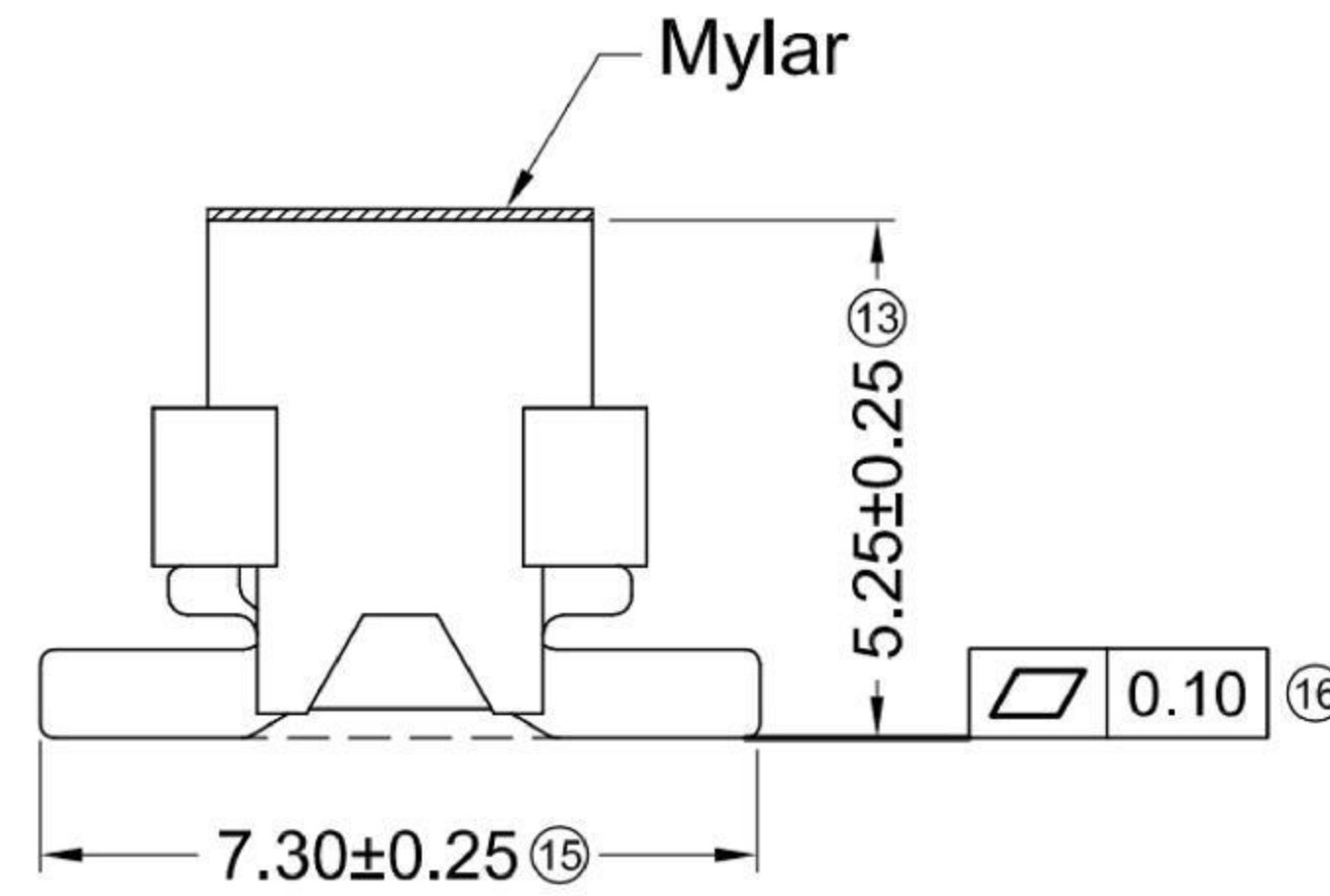
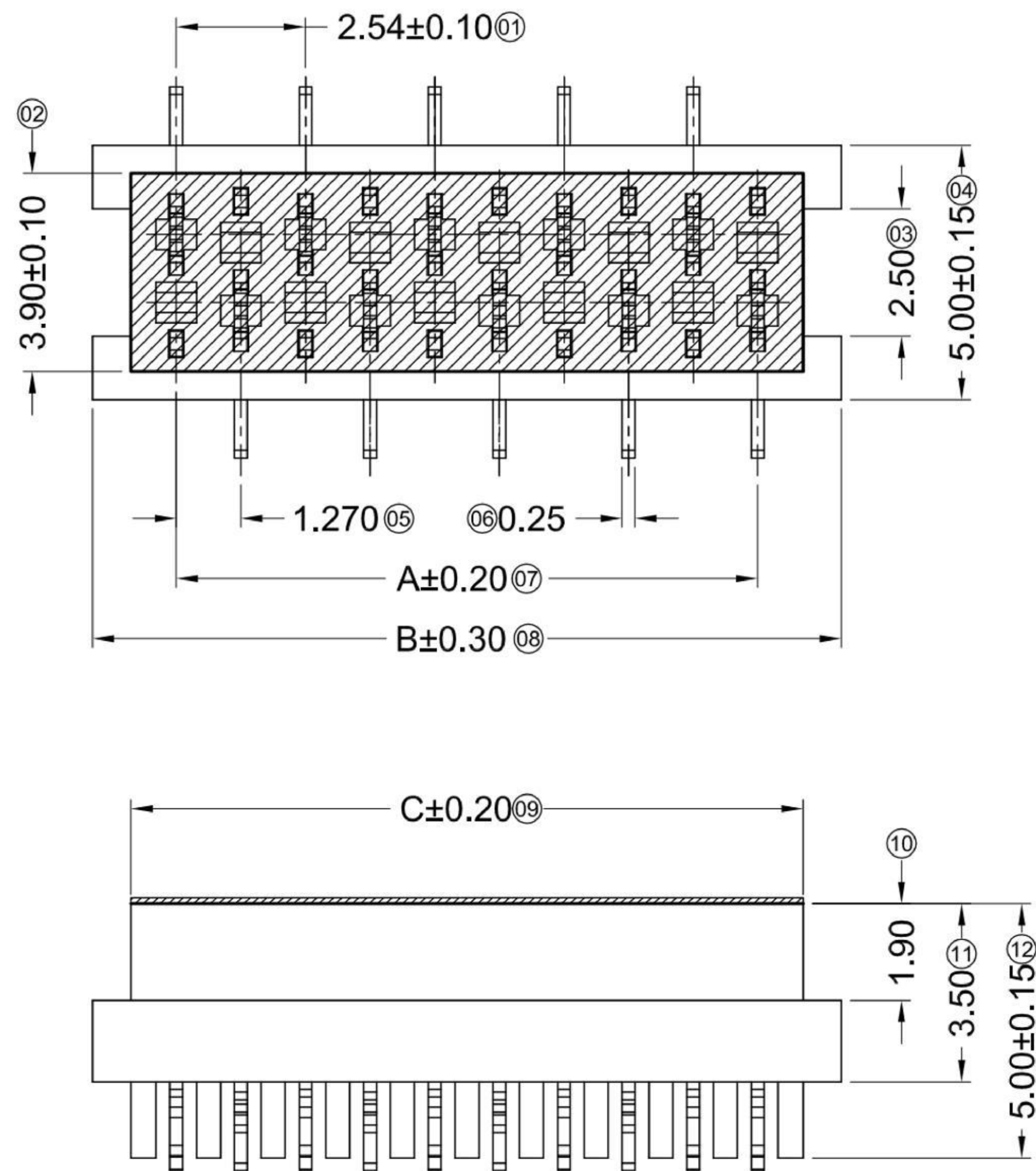
- ① Series No.
- ② Category: W-wafer
- ③ Welding Board Angle: V-180°
- ④ Welding Way: S-SMT
- ⑤ Row No.-Pin No.: XX-Single Row
- ⑥ Plug the Pin & Special No.:  
A4-Double indented sides  
with mistake-proof column
- ⑦ Material: 9T-Nylon 9T 94V-0; PT-PBT 94V-0
- ⑧ Planting Category: SN-Bright Tin plating
- ⑨ Color: RE-Red RD-Purplish red

Poles	Dimensions(mm)		Q'ty/Tube	Poles	Dimensions(mm)		Q'ty/Tube
	A	B			A	B	
04	7.20	2.54	71	16	22.44	17.78	25
06	9.74	5.08	54	18	24.98	20.32	22
08	12.28	7.62	44	20	27.52	22.86	20
10	14.82	10.16	37	22	30.06	25.40	18
12	17.63	12.70	31	24	32.60	27.94	17
14	19.90	15.24	28	26	35.14	30.48	16

X9127WVS-XXA4-PTSNRE	Red	PBT UL 94V-0	Brass	Tin-Plated
X9127WVS-XXA4-9TSNRD	Purplish red	PA9T UL 94V-0		
X9127WVS-XXA4-9TSNRE	Red			
PART NO	Color	Material	Material(Pin)	Finish(Pin)

REVISIONS					UNSPECIFIED TOLERANCES		DONG GUAN XI BANG ELECTRONIC CO., LTD		
DATE	REVISED	APPROVED	ANGLAR	±5°	DSND	SCALE: N/A	MODEL TYPE: BOARD TO BOARD CONNECTOR		
			L ≤ 4	±0.2	DWN	VIEW:	PART NO.:		
			4 < L ≤ 16	±0.3	CHKD	UNIT: mm/in	DWG NO.:		
			16 < L ≤ 63	±0.4	APPD	SIZE: A4	WEIGHT	SHEET	REVISION
			L > 63	±0.5	DONG GUAN XI BANG ELECTRONIC CO., LTD			1/1	A0
www.alpsr.com www.gdxjdz.com www.xbswitch.com									





Recommended PCB Layout(Top Side)  
 (PCB Board Tolerance $\pm 0.05$ )

## Specifications :

- Voltage rating: 500V AC / DC
- Current rating: 1A AC / DC
- Withstanding voltage: 500V AC/minute
- Temperature range:  $-40^{\circ}\text{C} \sim +105^{\circ}\text{C}$
- Insulation resistance:  $\geq 1000\text{M}\Omega$
- Contact resistance:  $\leq 10\text{m}\Omega$
- After environmental testing:  $\leq 20\text{m}\Omega$

X9127 W V S-XX A2-9T SN XX

① ② ③ ④ ⑤ ⑥ ⑦ ⑧ ⑨

- ① Series No.
- ② Category: W-wafer
- ③ Welding Board Angle: V- Straight  $180^{\circ}$
- ④ Welding Way: S-SMT
- ⑤ Row No.-Pin No.: XX-04P~26P
- ⑥ Plug the Pin & Special No.: A2-With Double Gap
- ⑦ Material: 9T-Nylon 9T 94V-0
- ⑧ Planting Category: SN-Bright tin plating
- ⑨ Color: RE-Red RD-purplish red

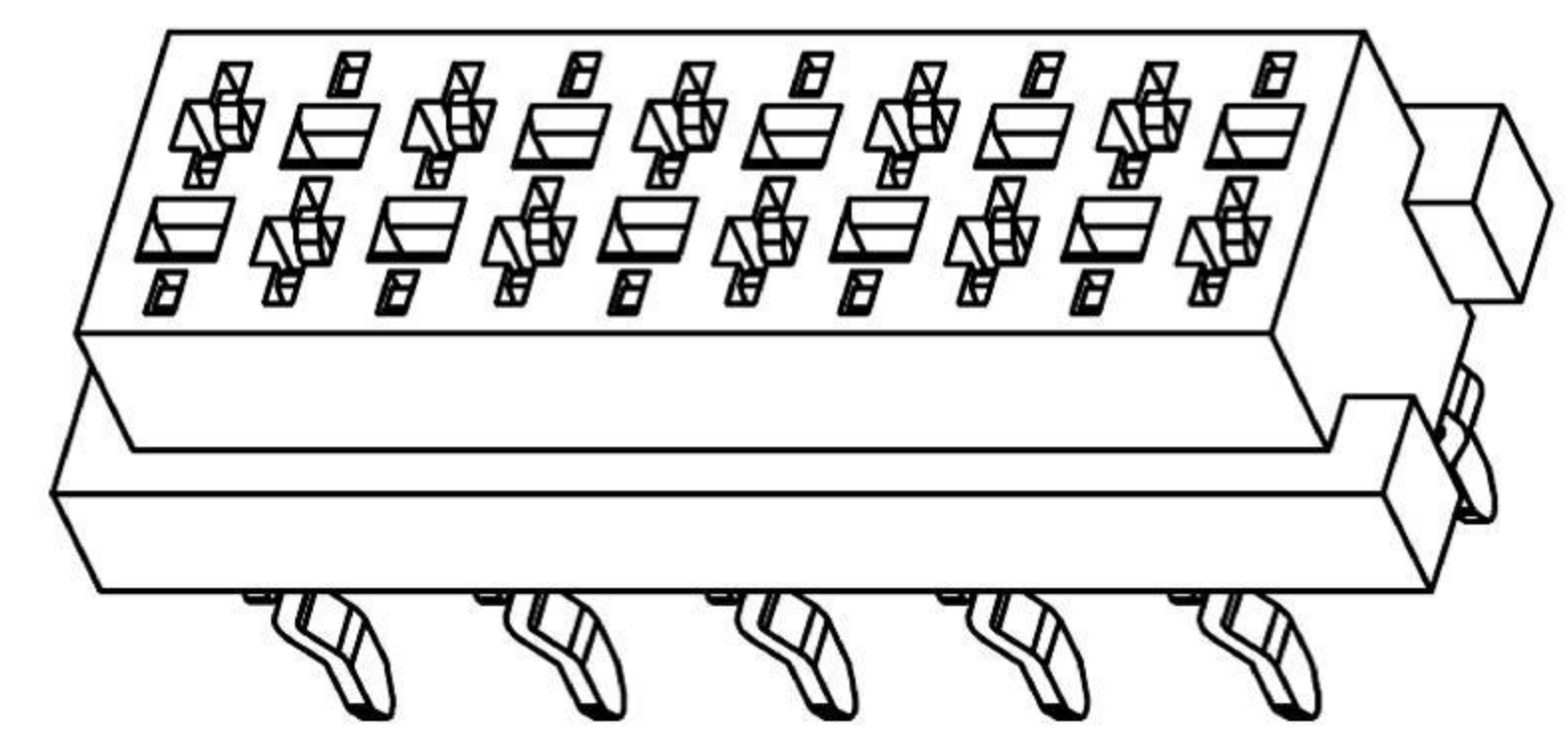
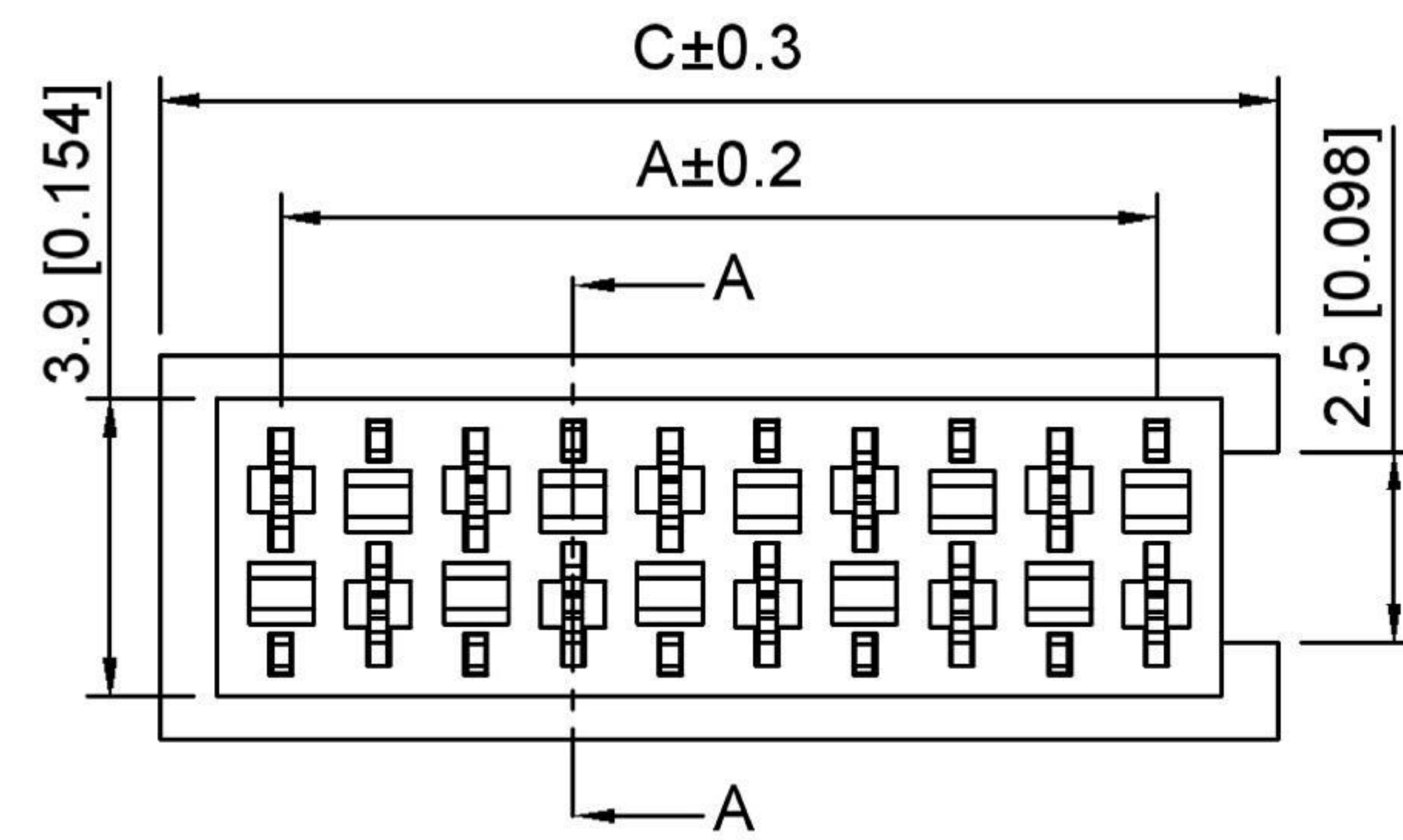
Poles	Dimensions(mm)			Poles	Dimensions(mm)		
	A	B	C		A	B	C
04	3.81	7.00	5.60	16	19.05	22.24	20.84
06	6.35	9.54	8.14	18	21.59	24.78	23.38
08	8.89	12.08	10.68	20	24.13	27.32	25.92
10	11.43	14.62	13.22	22	26.67	29.86	28.46
12	13.97	17.16	15.76	24	29.21	32.40	31.00
14	16.51	19.70	18.30	26	31.75	34.94	33.54

X9127WVS-XXA2-9TSNRD	Purplish red	PA9T UL 94V-0	Brass	Tin-Plated
X9127WVS-XXA2-9TSNRE	RED			
PART NO	Color	Material	Material(Pin)	Finish(Pin)

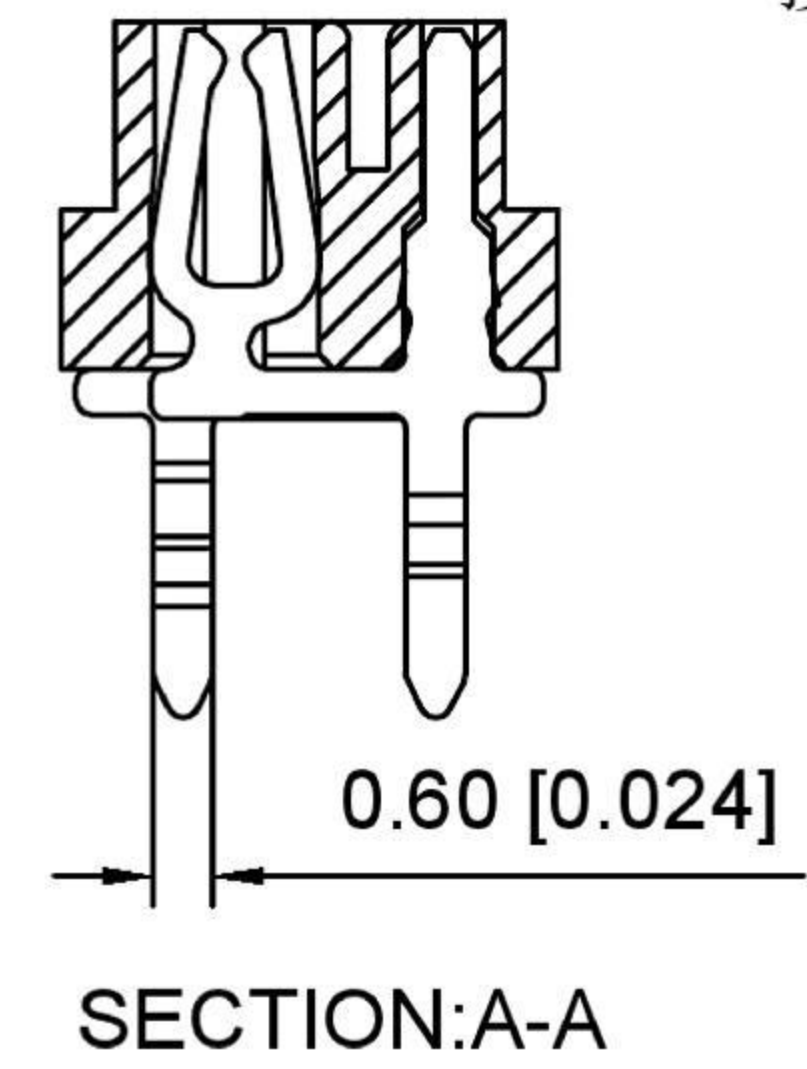
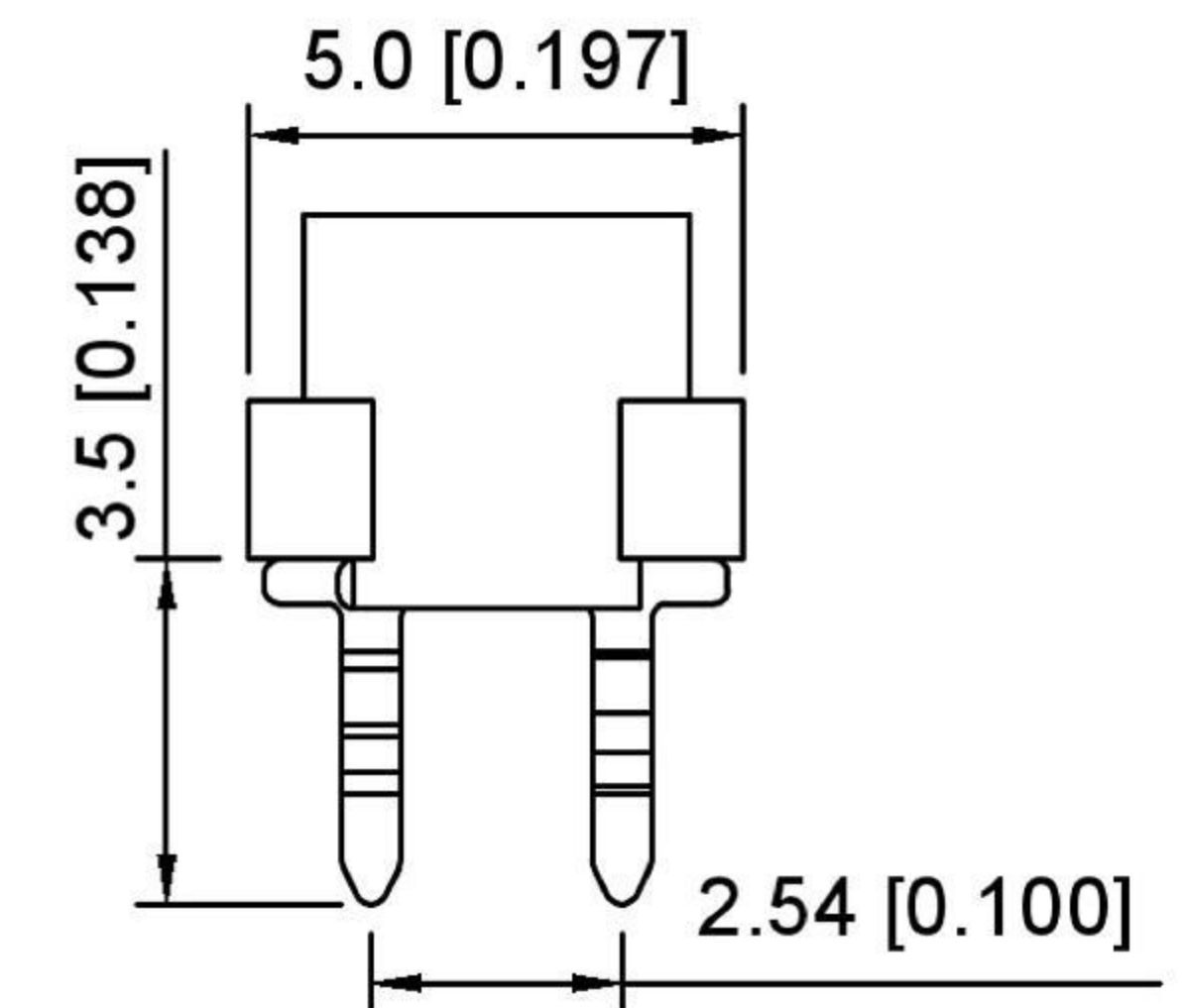
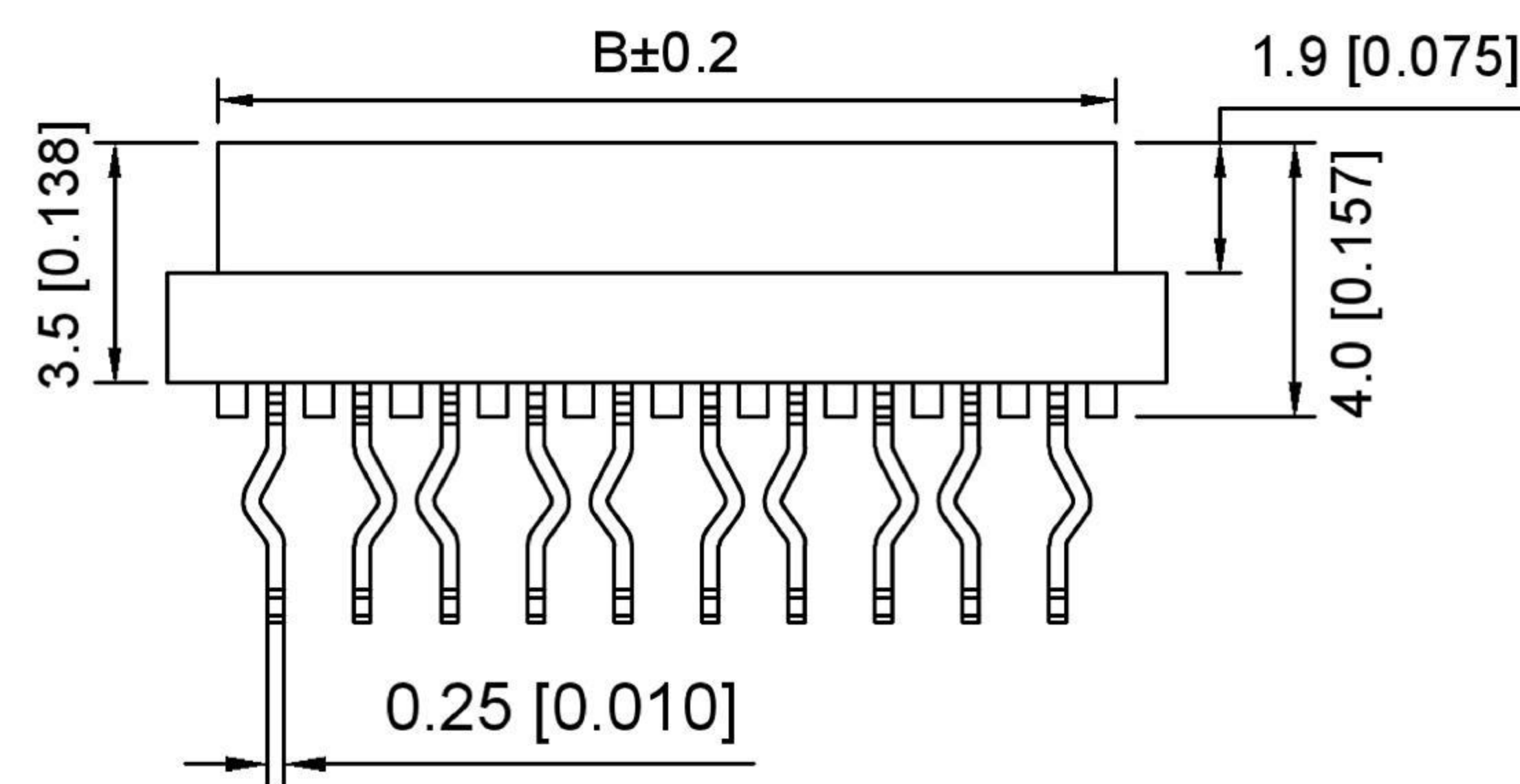
REVISIONS					ANGULAR	$\pm 5^{\circ}$	DSND	SCALE: N/A	MODEL TYPE:			
DATE	REVISED	APPROVED	UNSPECIFIED TOLERANCES	BOARD TO BOARD CONNECTOR								
					$L \leq 4$	$\pm 0.2$	DWN	VIEW:	PART NO.:			
					$4 < L \leq 16$	$\pm 0.3$	CHKD	UNIT: mm/in	DWG NO.:			
					$16 < L \leq 63$	$\pm 0.4$	APPD	SIZE: A4				
					$L > 63$	$\pm 0.5$	DONG GUAN XI BANG ELECTRONIC CO., LTD			WEIGHT	SHEET	REVISION
www.alpsr.com www.gdxjdz.com www.xbswitch.com											1/1	A0





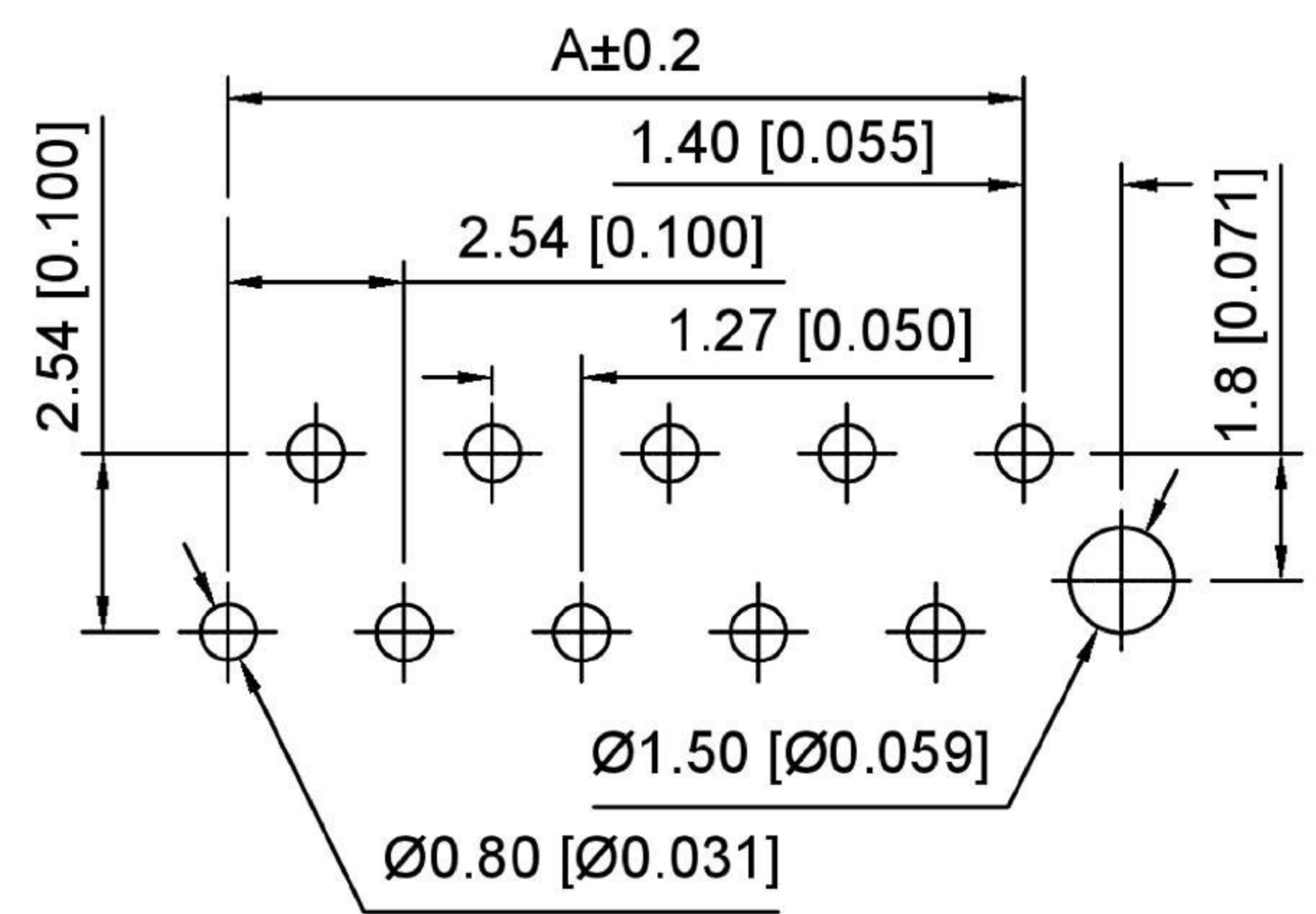
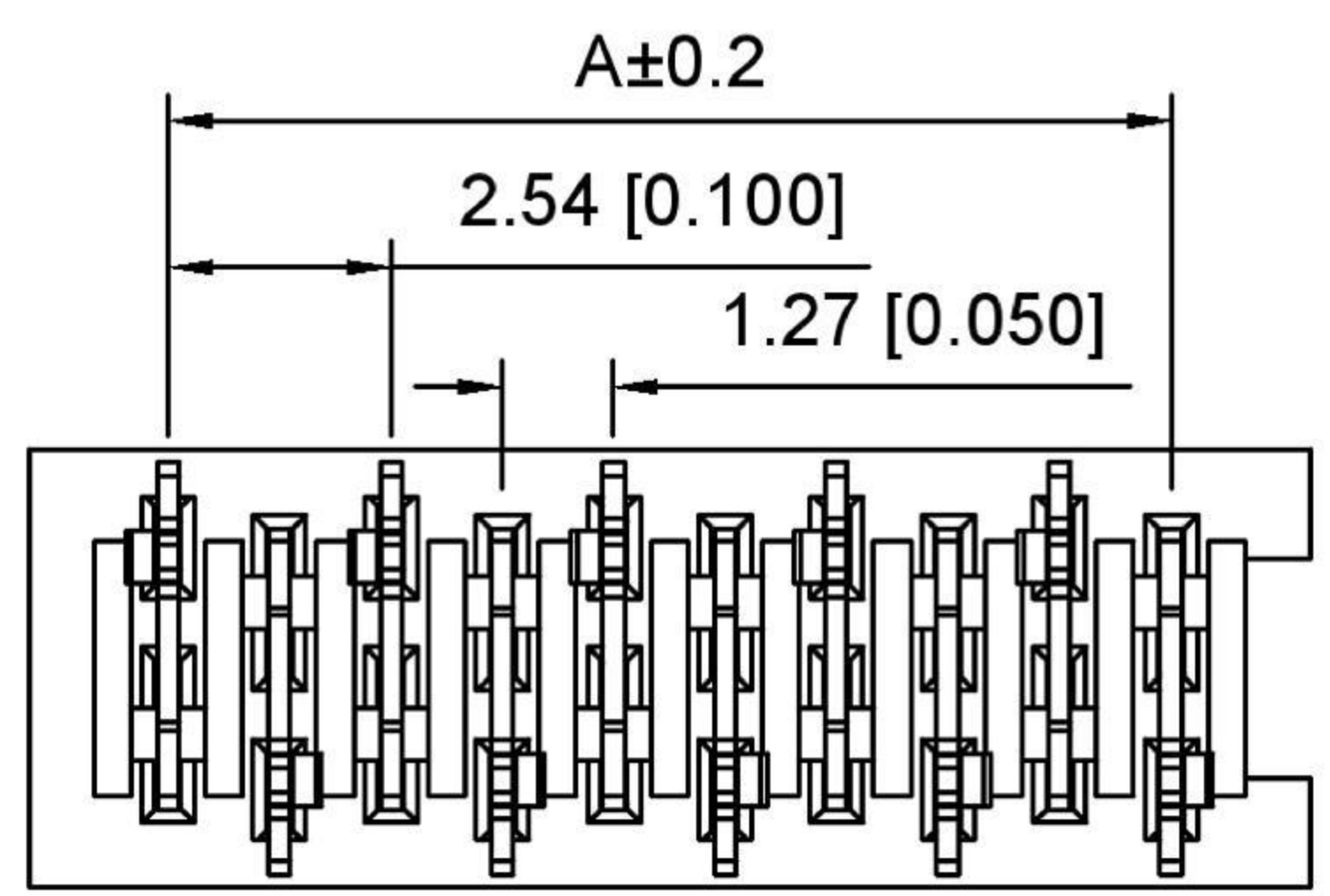


Specifications:  
 规格:  
 Voltage rating: 500V AC/DC  
 额定电压: 500V AC/DC  
 Current rating: 1A AC/DC  
 额定电流: 1A AC/DC  
 Withstanding voltage: 1000V AC/minute  
 耐受电压: 1000V AC/分钟  
 Temperature range: -40°C~+105°C  
 温度范围: -40°C~+105°C  
 Insulation resistance: 1000MΩ min  
 绝缘电阻: 1000MΩ Min  
 Contact resistance: 20mΩ Max  
 接触电阻: 20mΩ Max



X9127 W R - XX A1 - 9T SN RE  
 ① ② ③ ④ ⑤ ⑥ ⑦ ⑧

1. Series No
2. Category: W-Wafer
3. Welding Board Angle: R-Stright 90°
4. Row No. Pin No: XX-04~26P
5. Special No: A1-Without Ear and boss, with tail and Single Concave
6. Material: 9T-PA9T UL94V-0
7. Plating: SN-Bright Tin Plated
8. Color: RE-Red ; RD-Purplish red



PCB LAYOUT

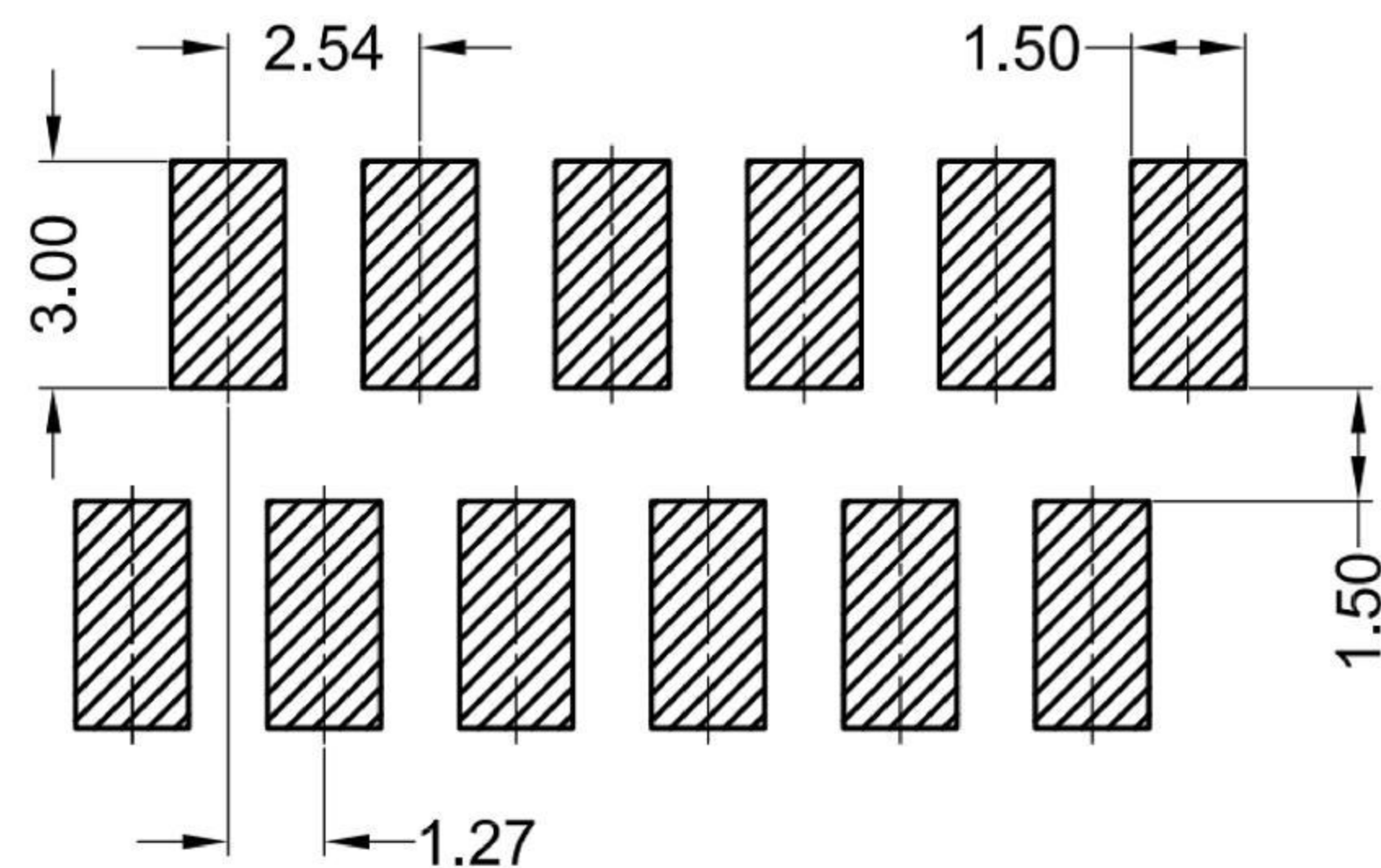
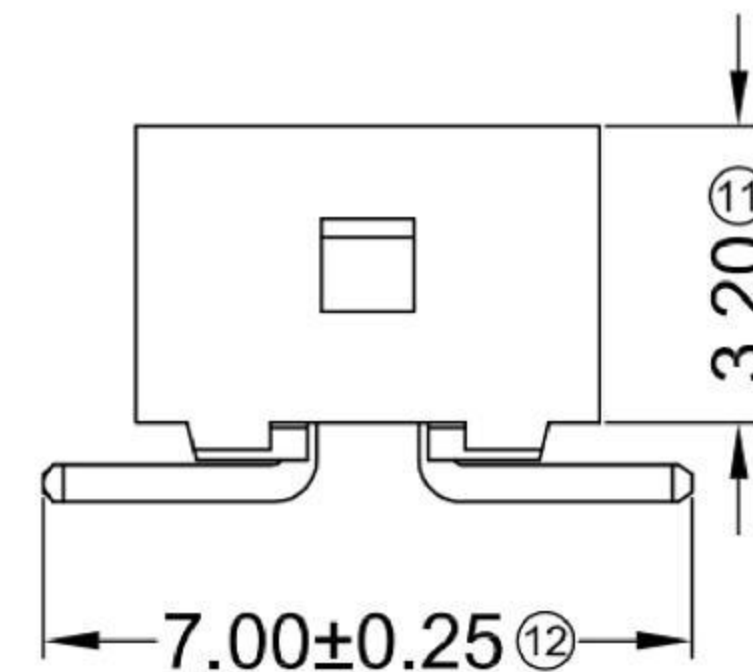
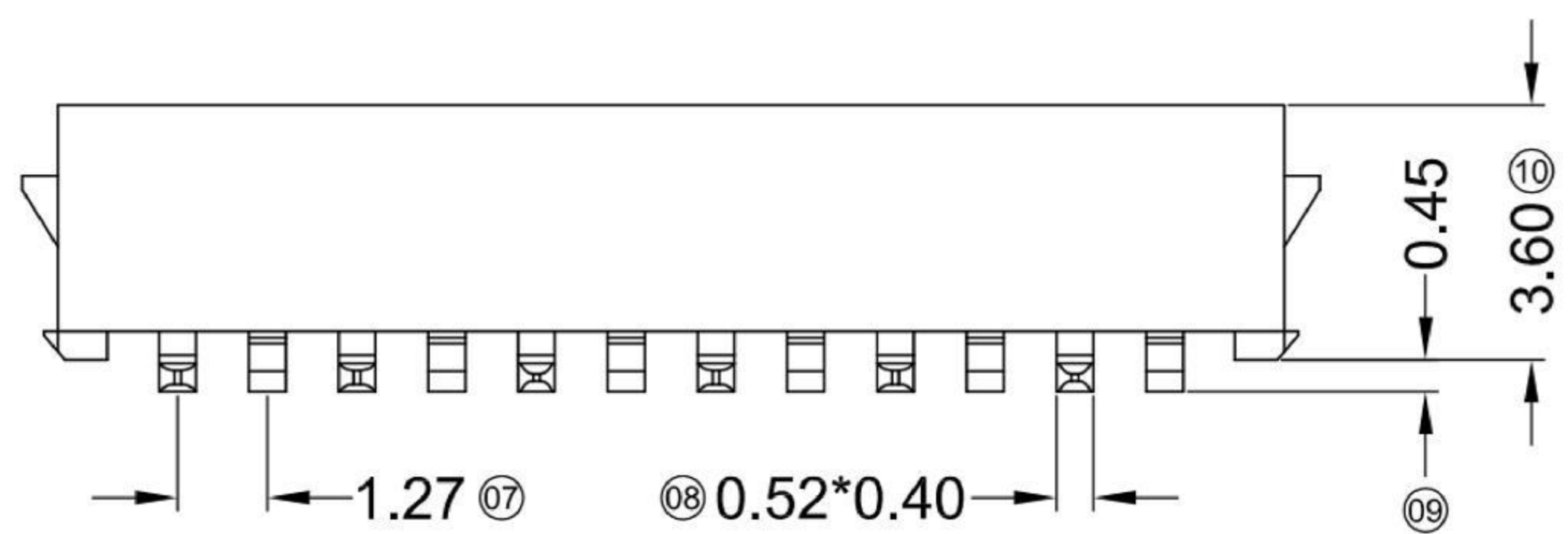
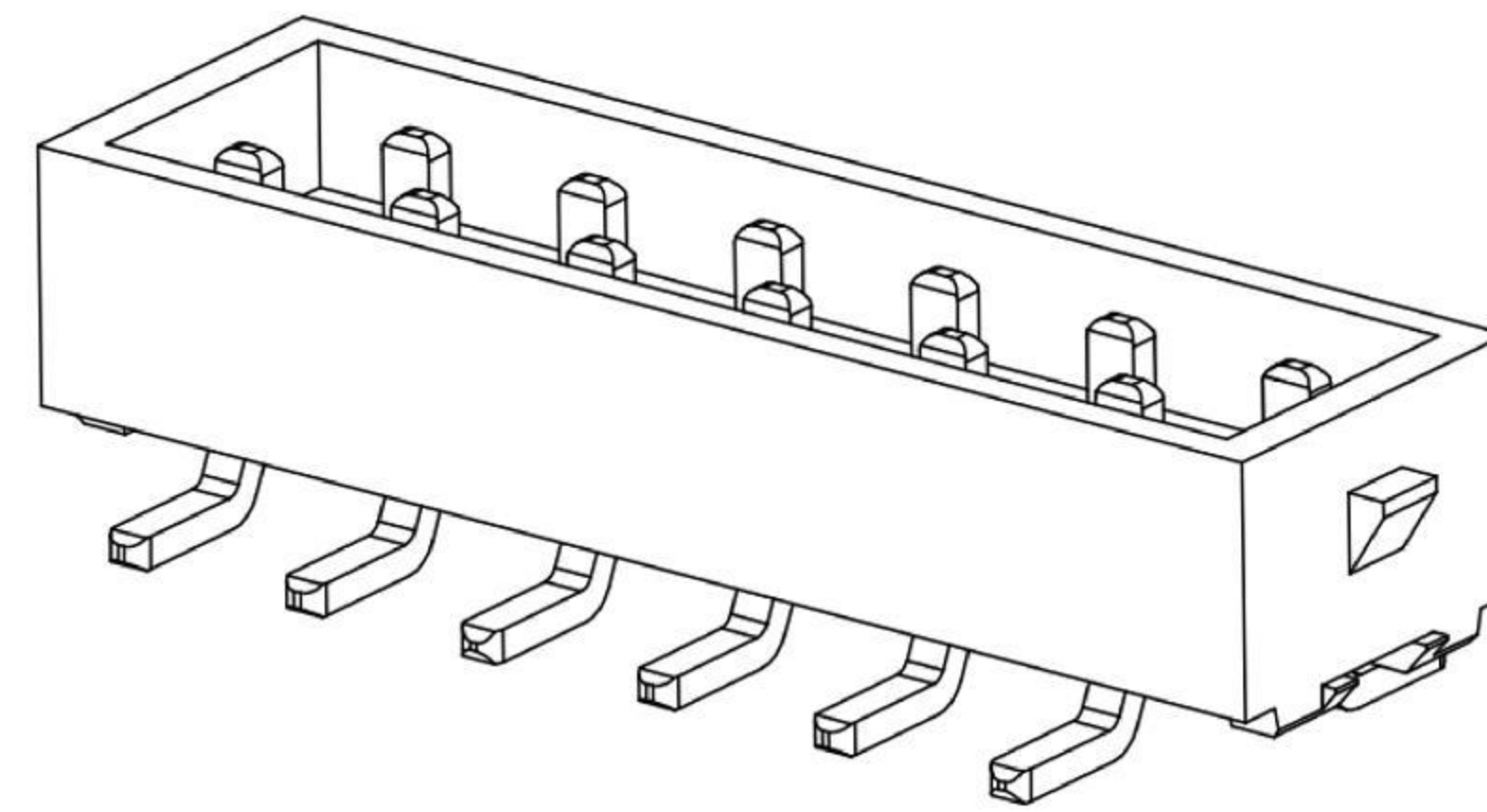
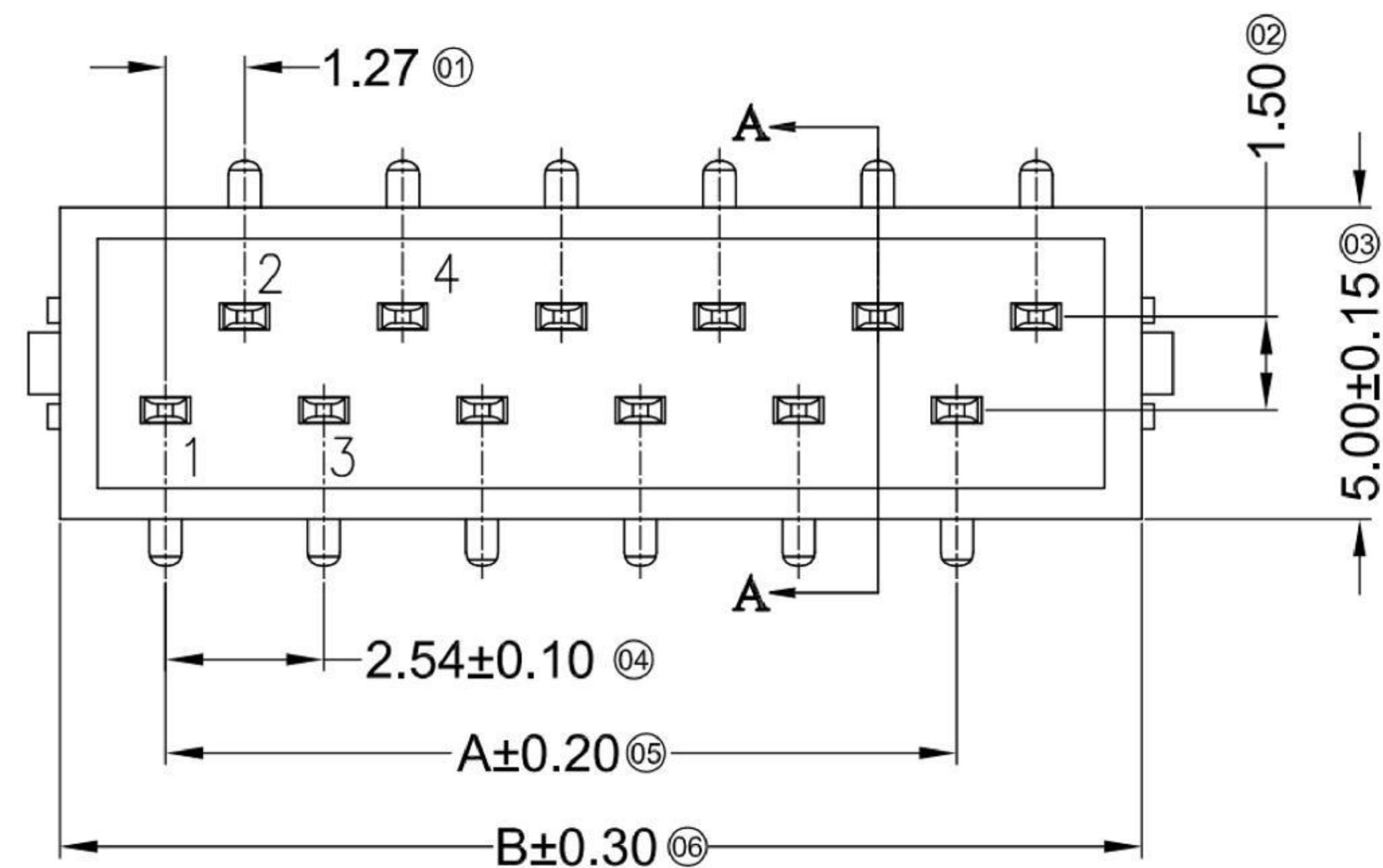
Poles	Dimensions(mm)			Poles	Dimensions(mm)		
	A	B	C		A	B	C
4	3.81	5.50	6.99	16	19.05	20.74	22.23
6	6.35	8.04	9.53	18	21.59	23.28	24.77
8	8.89	10.58	12.07	20	24.13	25.82	27.31
10	11.43	13.12	14.61	22	26.67	28.36	29.85
12	13.97	15.66	17.15	24	29.21	30.90	32.39
14	16.51	18.20	19.69	26	31.75	33.44	34.93

X9127WR-XXA1-9TSNRE	PA9T	Bronze	X9635TF
PART NO	Material	Material(Pin)	Suitable Terminal

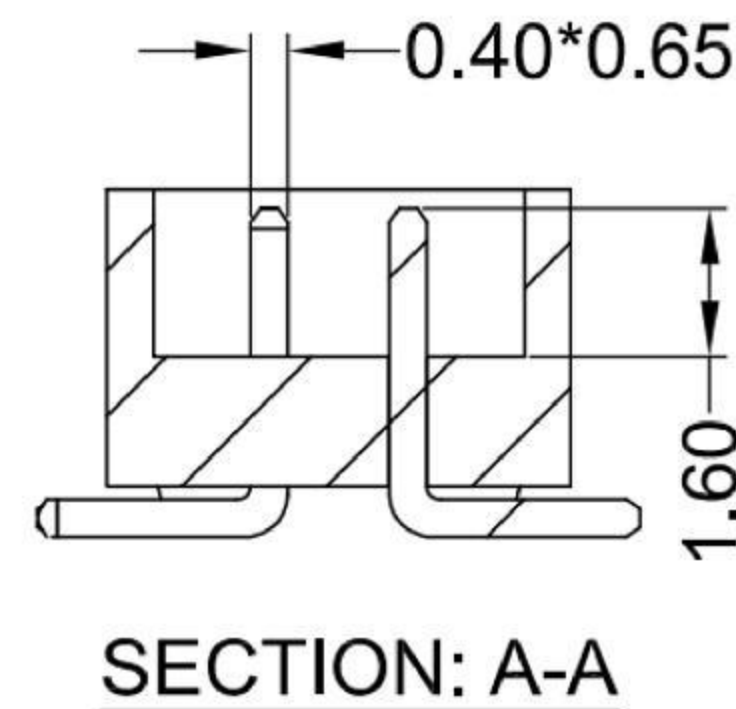
REVISIONS				ANGULAR	±5°
				L ≤ 4	±0.2
				4 < L ≤ 16	±0.3
				16 < L ≤ 63	±0.4
				L > 63	±0.5
	DATE	REVISED	APPROVED	UNSPECIFIED TOLERANCES	
www.alpsr.com www.gdxjdz.com www.xbswitch.com					



DSND		SCALE: N/A	MODEL TYPE: BOARD TO BOARD CONNECTOR
DWN		VIEW:	PART NO.:
CHKD		UNIT: mm/in	DWG NO.:
APPD		SIZE: A4	



Recommended P.C.B Layout  
General Tolerance±0.05



## Specifications :

- Voltage rating: 500V AC / DC
- Current rating: 1A AC / DC
- Withstanding voltage: 1000V AC/minute
- Temperature range: -40°C~+105°C
- Insulation resistance: ≥1000MΩ
- Contact resistance: ≤20mΩ
- After environmental testing: ≤30mΩ



X9127 W V S-XX X-XX SN XX

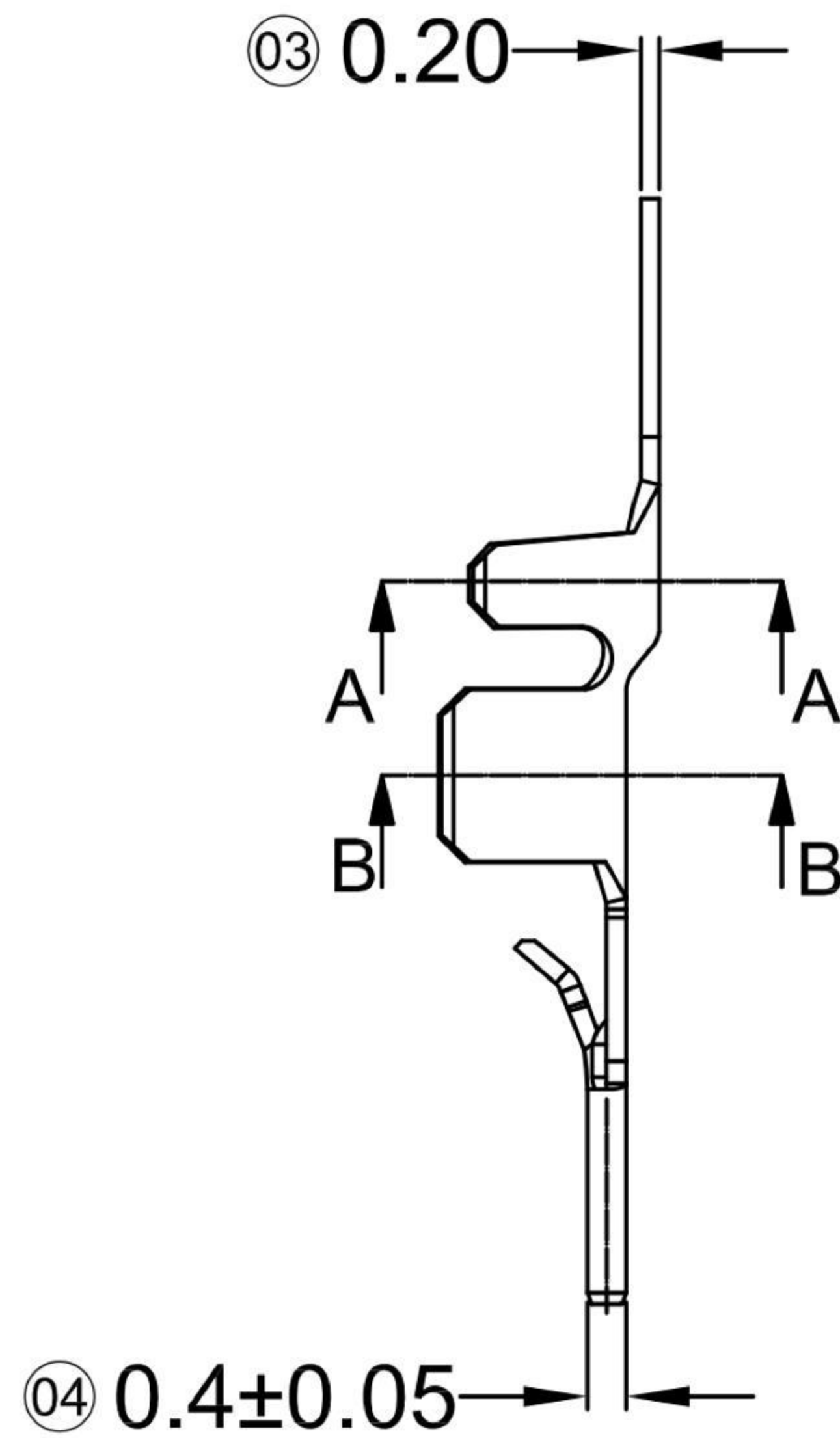
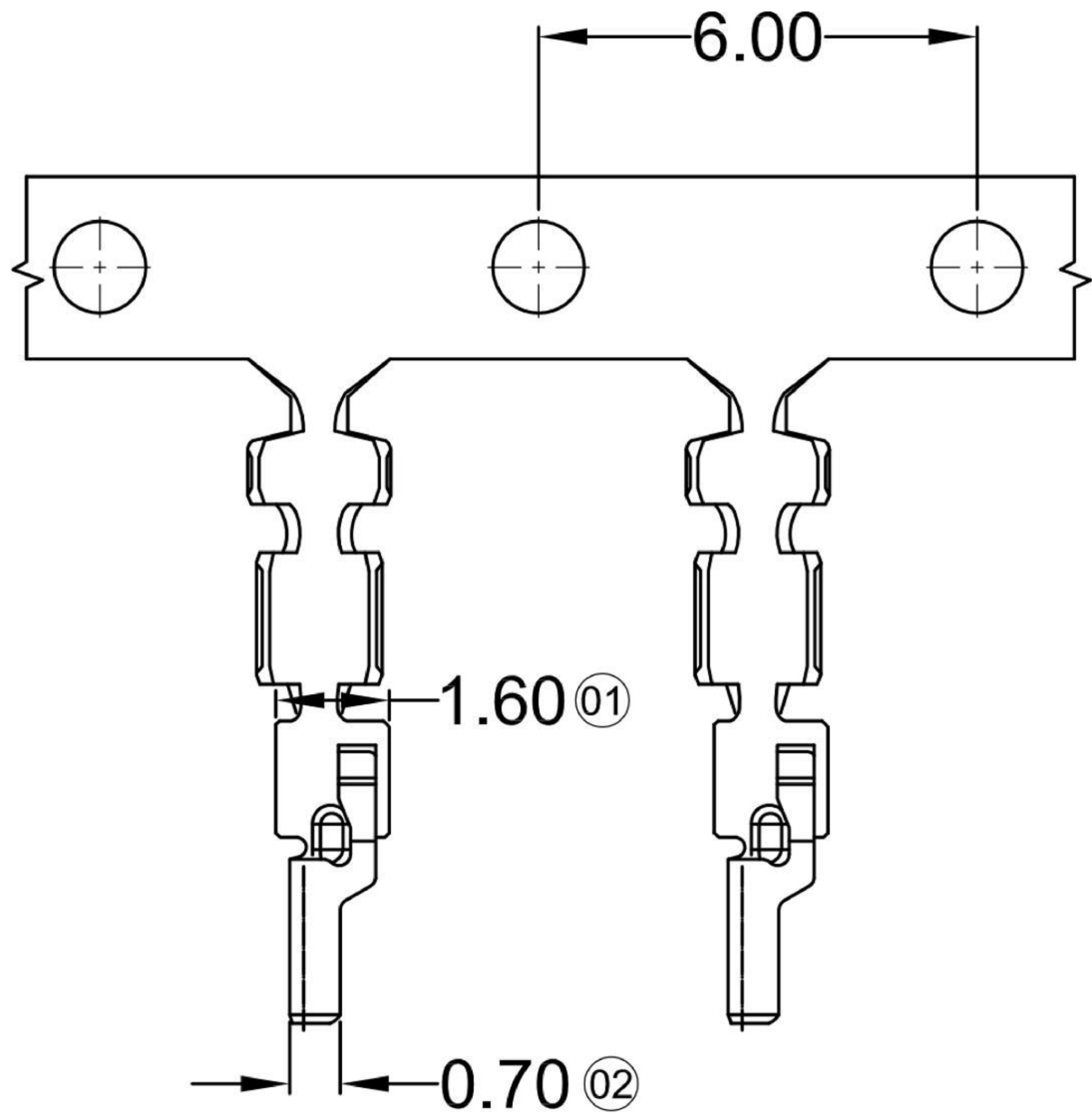
① ② ③ ④ ⑤ ⑥ ⑦ ⑧ ⑨

- ① Series No.
- ② Category: W-wafer
- ③ Welding Board Angle: V-180°
- ④ Welding Way: S-SMT
- ⑤ Row No.-Pin No.: XX-Single Row
- ⑥ Plug the Pin & Special No.:
- ⑦ Material: 9T-Nylon 9T 94V-0;
- ⑧ Planting Category: SN-Bright Tin plating
- ⑨ Color: RE-Red

Poles	Dimensions(mm)		Poles	Dimensions(mm)	
	A	B		A	B
04	2.54	7.20	16	17.78	22.44
06	5.08	9.74	18	20.32	24.98
08	7.62	12.28	20	22.86	27.52
10	10.16	14.82	22	25.40	30.06
12	12.70	17.63	24	27.94	32.60
14	15.24	19.90	26	30.48	35.14

X9127WVS-XX-9TSNRE	PA9T UL 94V-0	Brass	Tin-Plated
PART NO	Material	Material(Pin)	Finish(Pin)

REVISIONS				UNSPECIFIED TOLERANCES			DSND DWN CHKD APPD	SCALE: N/A VIEW:  UNIT: mm/in SIZE: A4	MODEL TYPE: BOARD TO BOARD CONNECTOR		
DATE	REVISED	APPROVED	ANGULAR		PART NO.:						
			L ≤ 4	±5°	DWG NO.:						
			4 < L ≤ 16	±0.2							
			16 < L ≤ 63	±0.3							
			L > 63	±0.4							
www.alpsr.com www.gdxjdz.com www.xbswitch.com						DONG GUAN XI BANG ELECTRONIC CO., LTD			WEIGHT	SHEET	REVISION
										1/1	A0



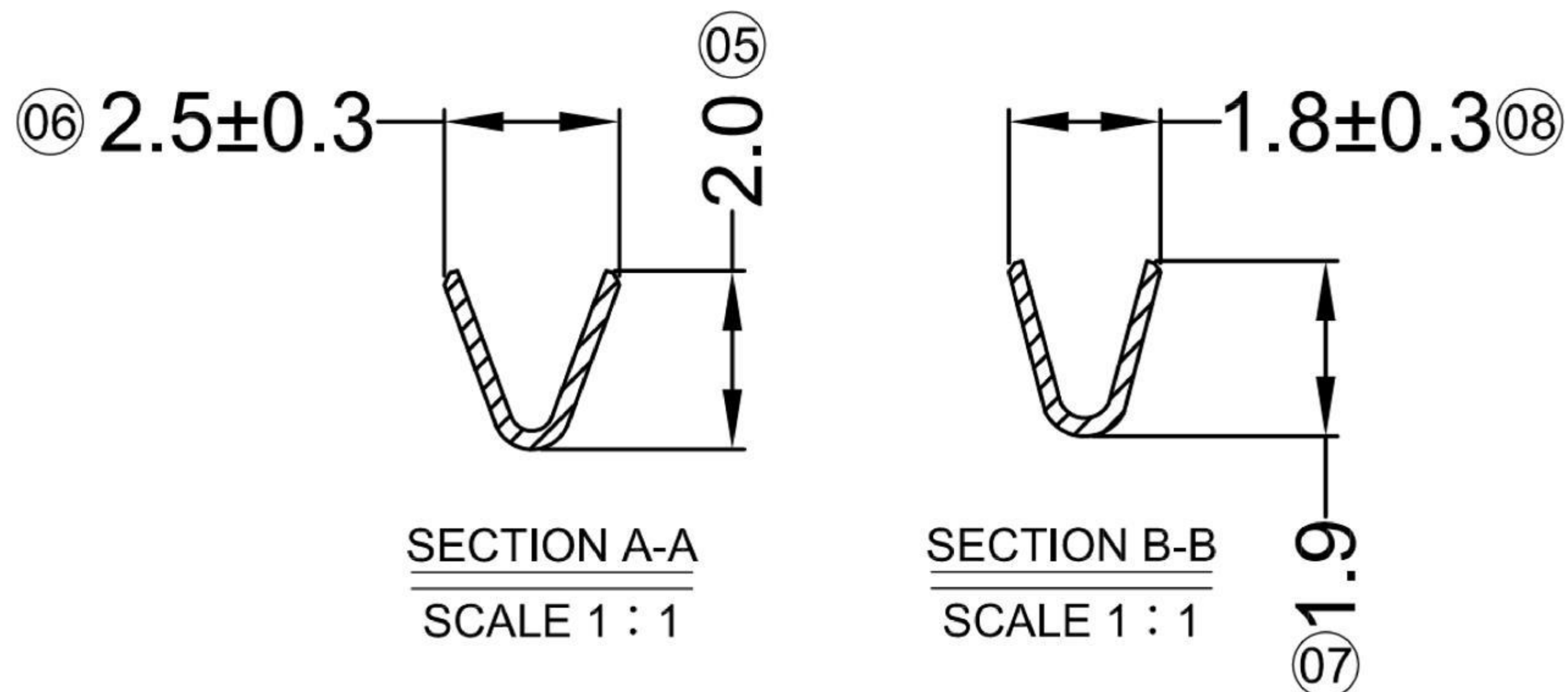
### Specifications :

- Voltage rating: 500V AC / DC
- Current rating: 1A AC / DC
- Withstanding voltage: 500V AC/minute
- Temperature range: -40°C~+105°C
- Insulation resistance: ≥1000MΩ
- Contact resistance: ≤20mΩ
- After environmental testing: ≤40mΩ



### X9127 T X-P SN X-X

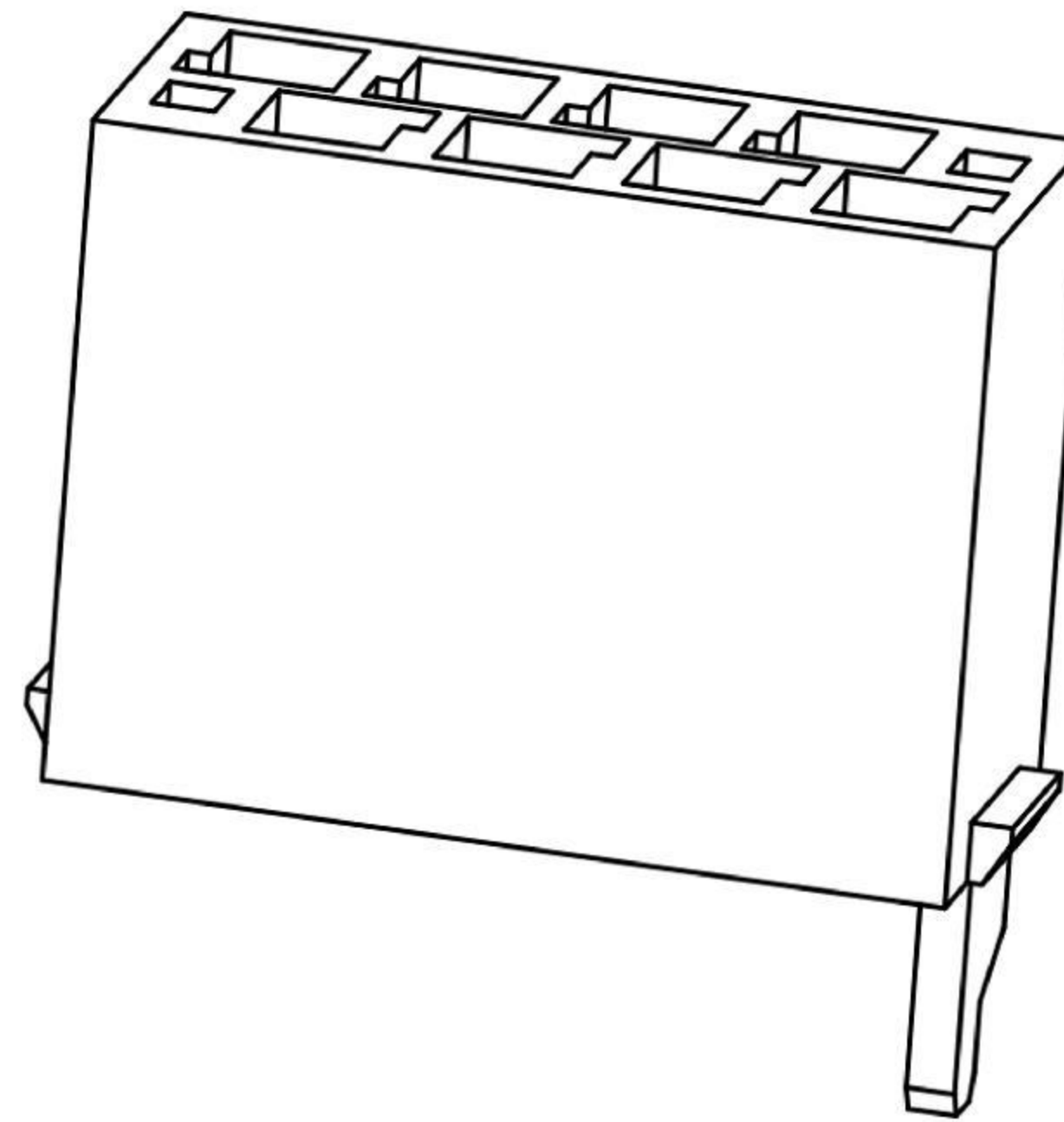
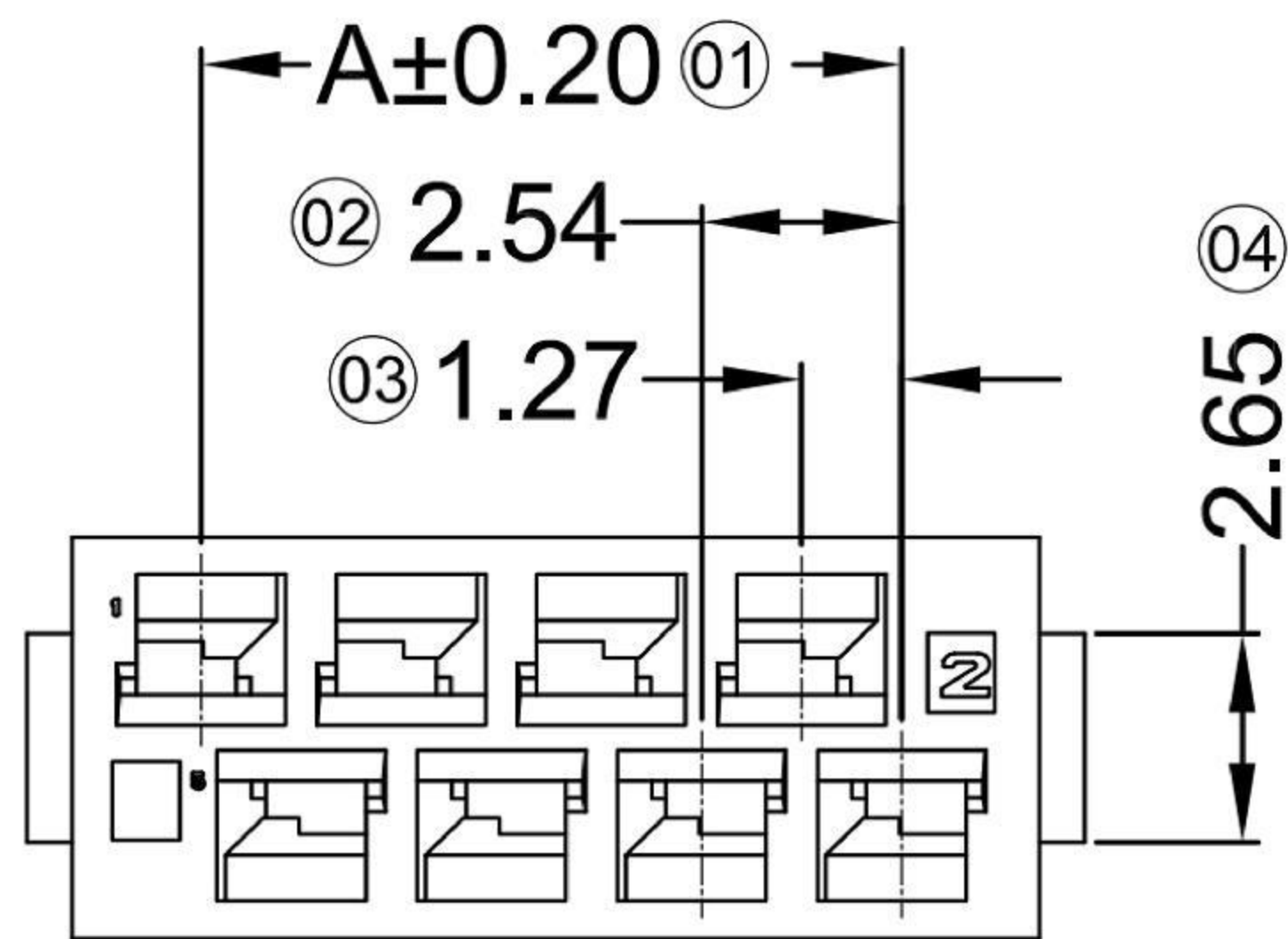
(01) (02) (03) (04) (05) (06) (07)

- (01) Series Number
- (02) Category: T-terminal
- (03) Shape: Blank-ordinary
- (04) Material: P-Phosphor bronze
- (05) Plating style:  
SN-Bright tin plating 70-120u"
- (06) Plating method:  
Blank-Stamping before plating
- (07) Mold No./Mark/Special No.



X9127T-PSN	Phosphor Bronze	AWG#20-24	1.75mm(Max)	Stamping Before Plating:30u" Ni;70u"Sn	
PART NO	Material	Wire Range	Insulation O.D.	Finish	

REVISIONS				ANGULAR	±5°		DSND	SCALE: N/A	MODEL TYPE: BOARD TO BOARD CONNECTOR
				L ≤ 4	±0.2		DWN	VIEW: 	PART NO.:
				4 < L ≤ 16	±0.3		CHKD	UNIT: mm/in	DWG NO.:
				16 < L ≤ 63	±0.4		APPD	SIZE: A4	
				L > 63	±0.5				
UNSPECIFIED TOLERANCES				DONG GUAN XI BANG ELECTRONIC CO., LTD			WEIGHT	SHEET	REVISION
www.alpsr.com www.gdxjdz.com www.xbswitch.com								1/1	A0



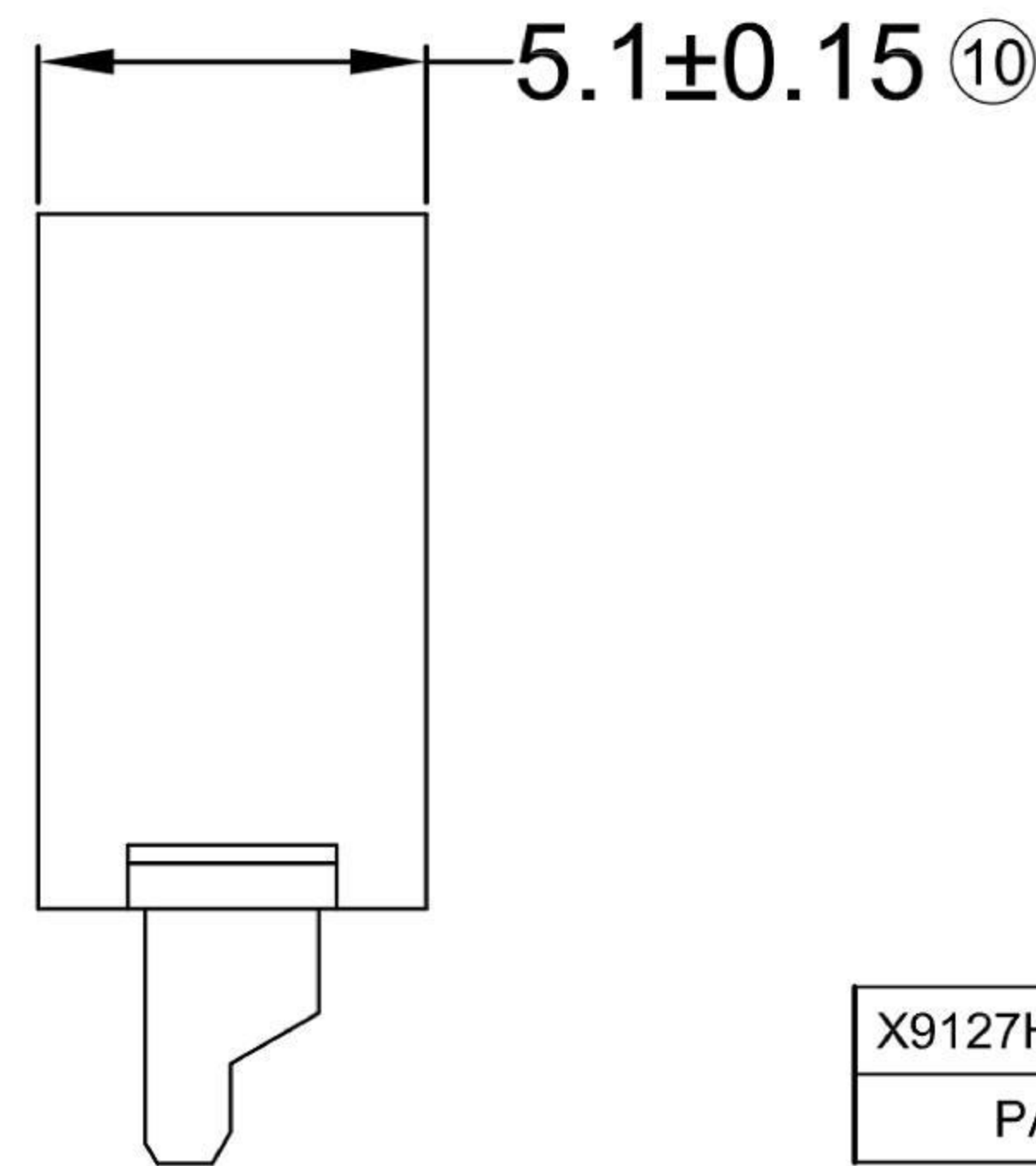
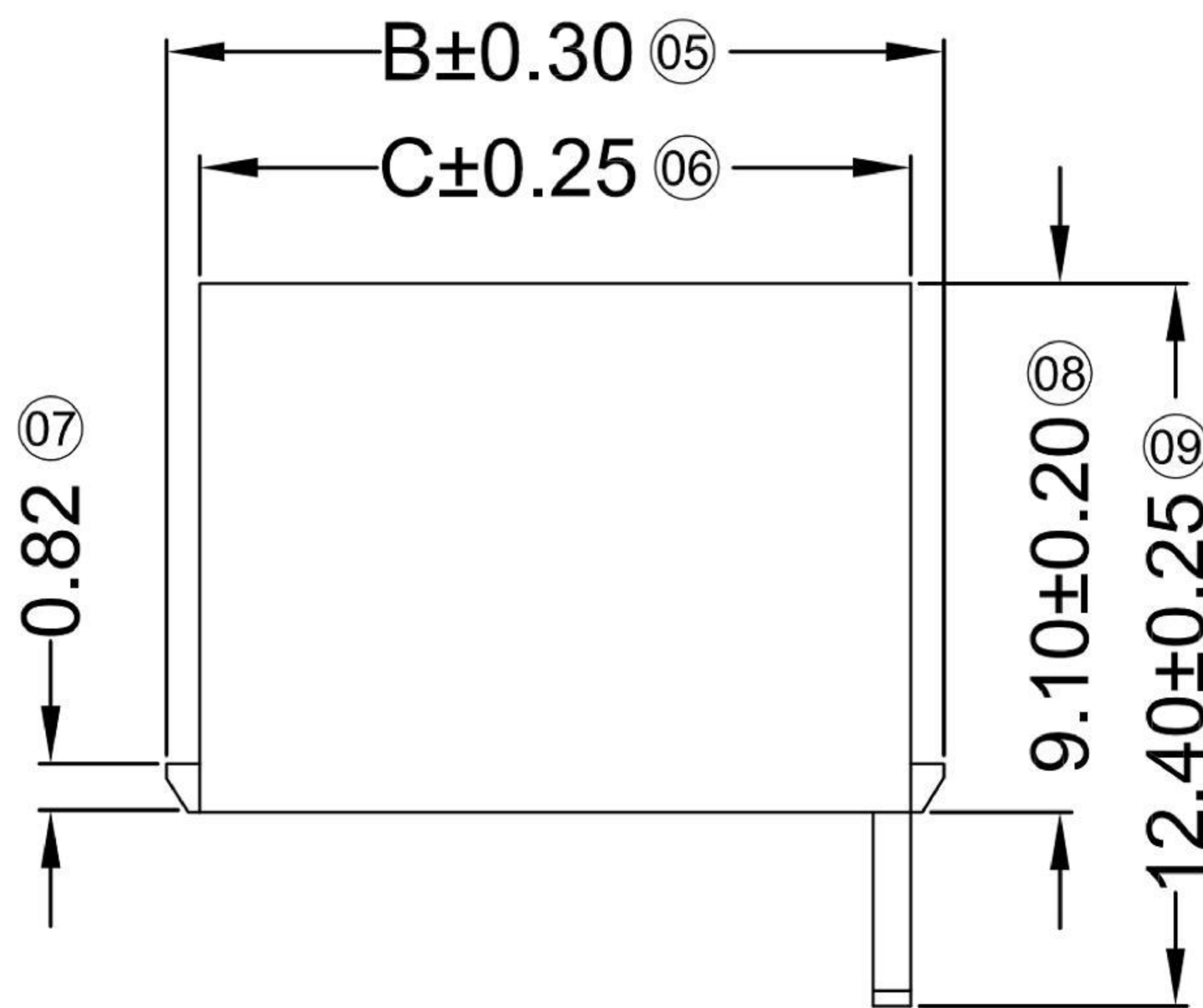
### Specifications :

- Voltage rating: 500V AC / DC
- Current rating: 1A AC / DC
- Withstanding voltage: 500V AC/minute
- Temperature range: -40°C~+105°C
- Insulation resistance: ≥1000MΩ
- Contact resistance: ≤20mΩ
- After environmental testing: ≤40mΩ

### X9127 H X-XX X-PT RE

① ② ③ ④ ⑤ ⑥ ⑦

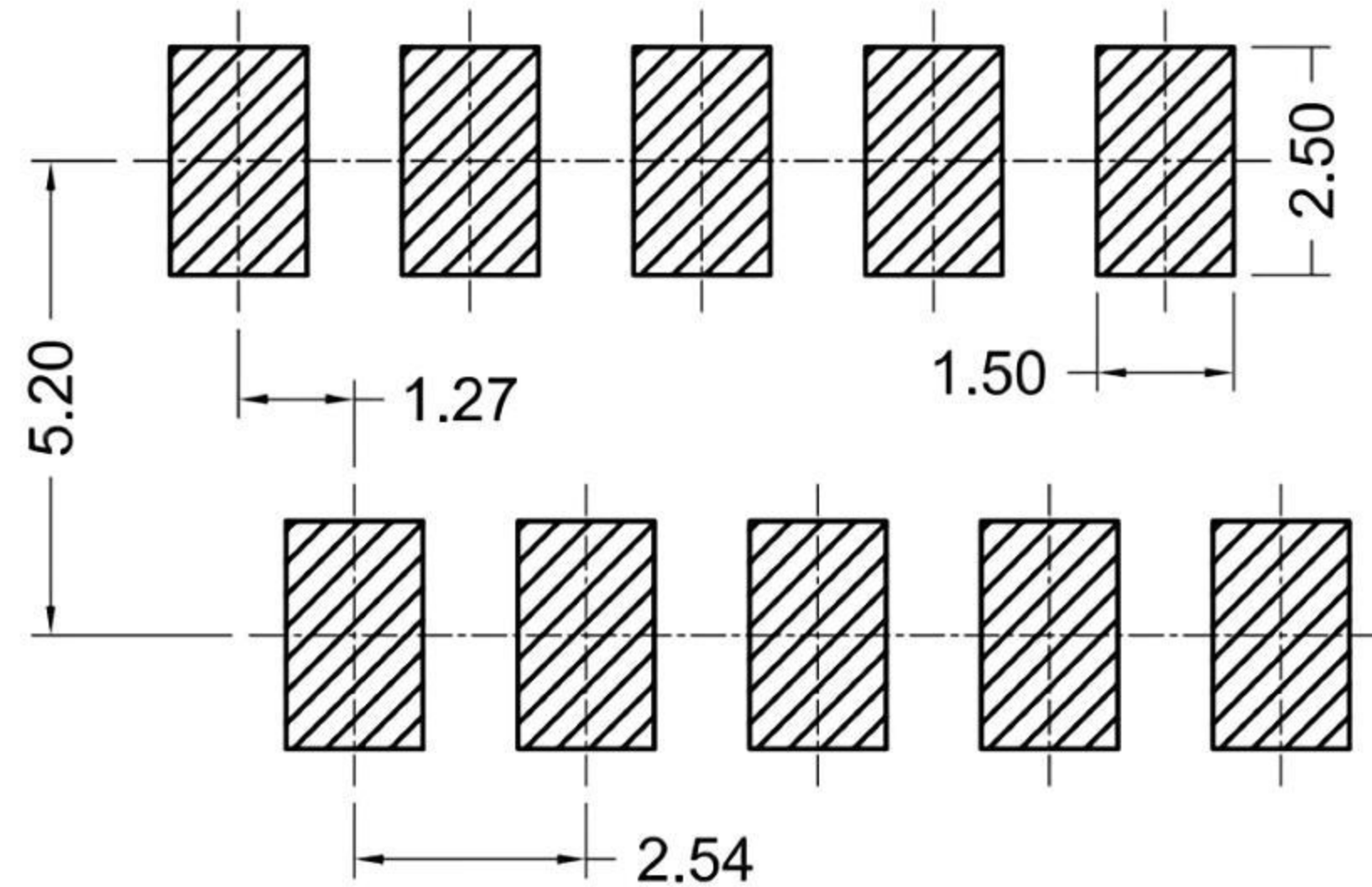
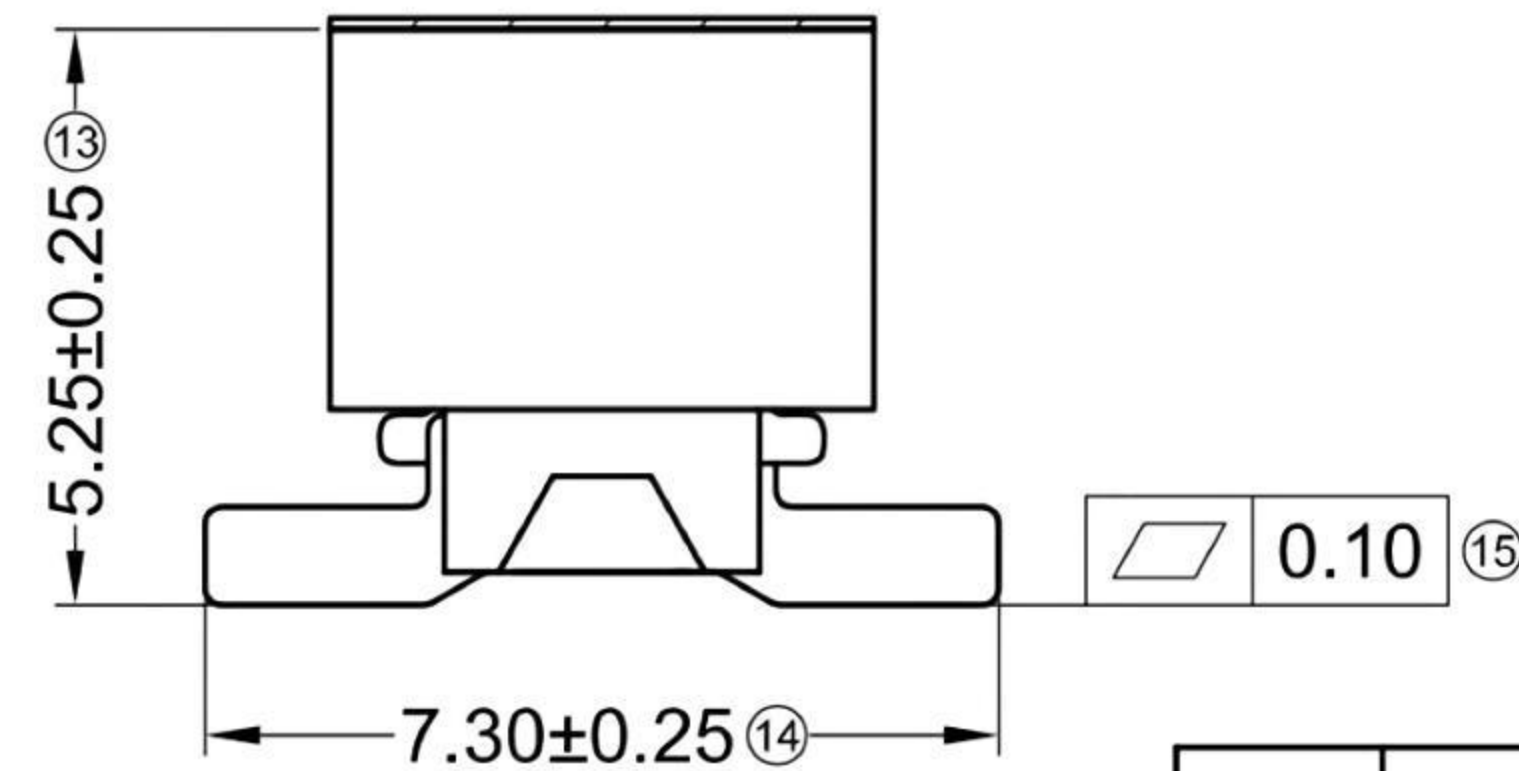
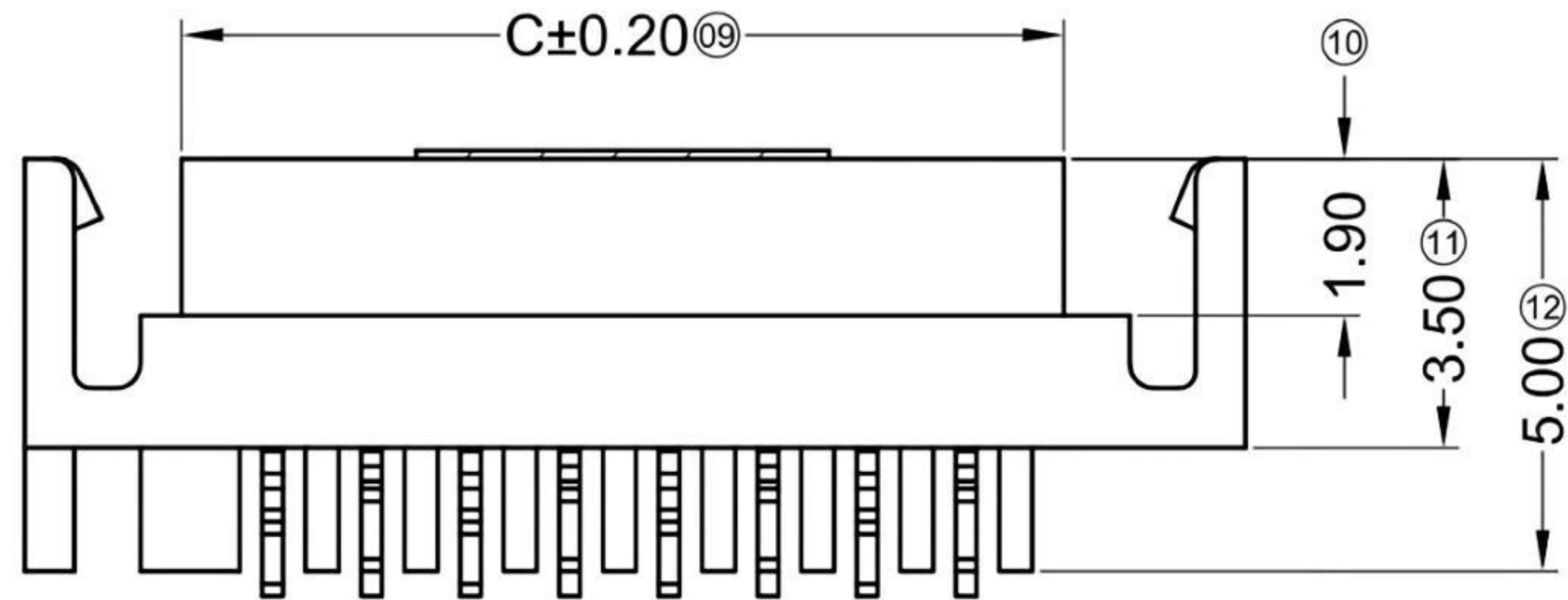
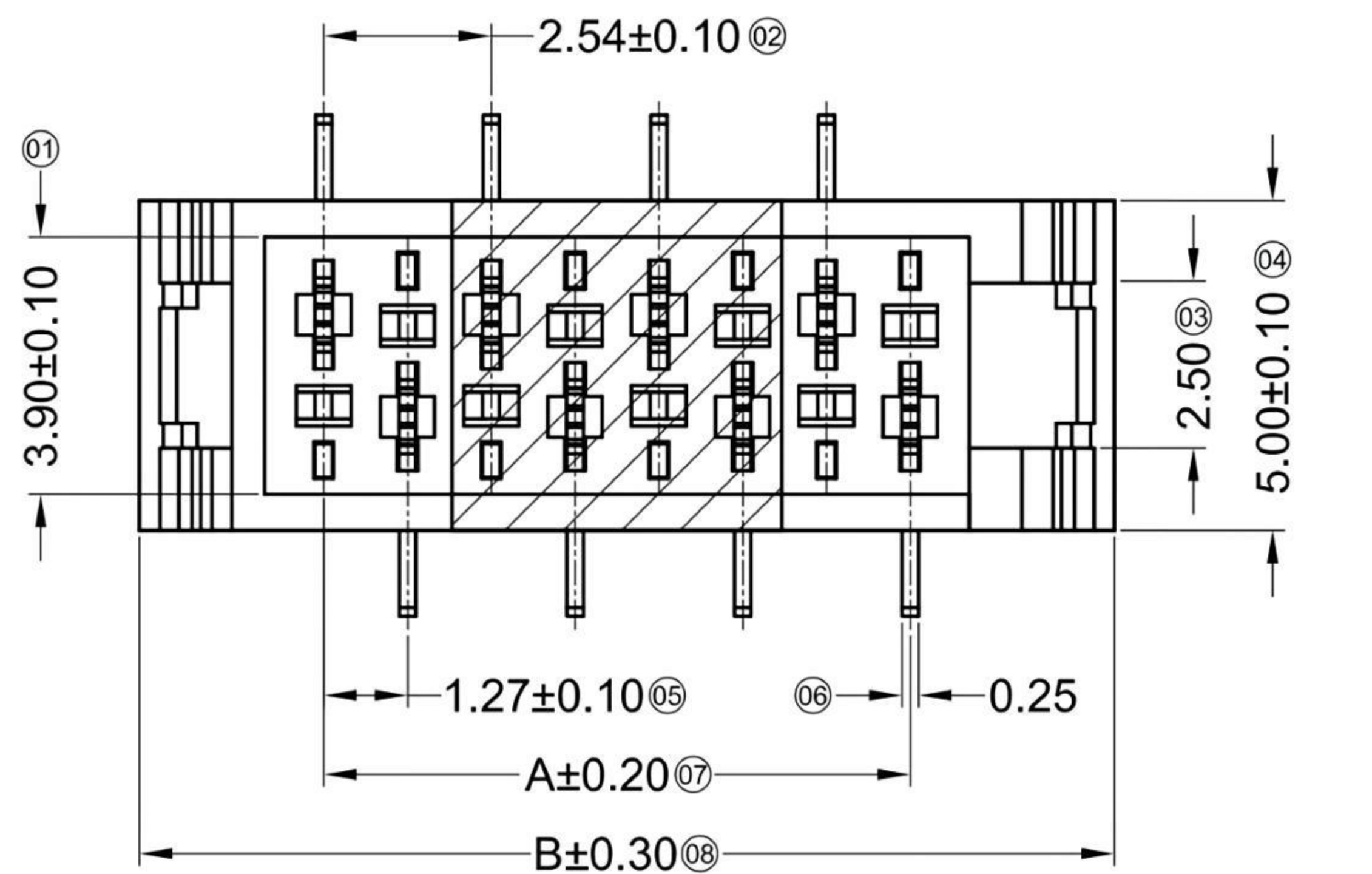
- ① Series No.
- ② Category: H-HSG
- ③ Welding Board Angle: Blank-ordinary
- ④ Row No.-Pin No.: XX-04~26P
- ⑤ Plug the Pin & special No.
- ⑥ Material: PT-PBT 94V-0
- ⑦ Color: RE-Red



Poles	Dimensions(mm)			Poles	Dimensions(mm)		
	A	B	C		A	B	C
04	3.81	8.40	7.20	16	19.05	23.60	22.50
06	6.35	10.90	9.80	18	21.59	26.20	25.00
08	8.89	13.50	12.30	20	24.13	28.70	27.60
10	11.43	16.00	14.90	22	26.67	31.20	30.20
12	13.97	18.50	17.40	24	29.21	33.80	32.80
14	16.51	21.10	19.90	26	31.75	36.40	35.40

X9127H-XX-PTRE	PBT UL 94V-0	X9127T		X9127W	
PART NO	Material	Suitable	Terminal	Suitable	Terminal

REVISIONS				ANGULAR	±5°		DSND	SCALE: N/A	MODEL TYPE:
DATE				L ≤ 4	±0.2		DWN	VIEW:	BOARD TO BOARD CONNECTOR
REVISED				4 < L ≤ 16	±0.3		CHKD	UNIT: mm/in	PART NO.:
APPROVED				16 < L ≤ 63	±0.4		APPD	SIZE: A4	DWG NO.:
UNSPECIFIED TOLERANCES				L > 63	±0.5	DONG GUAN XI BANG ELECTRONIC CO., LTD			WEIGHT
www.alpsr.com www.gdxjdz.com www.xbswitch.com							SHEET		
							1/1		
							REVISION		
							A0		



Recommended PCB Layout(Top Side)  
(PCB Board Tolerance±0.05)

### Specifications :

- Voltage rating: 500V AC / DC
- Current rating: 1A AC / DC
- Withstanding voltage: 1000V AC/minute
- Temperature range: -40°C~+105°C
- Insulation resistance: ≥1000MΩ
- Contact resistance: ≤20mΩ
- After environmental testing: ≤30mΩ

X9127 W V S-XX B4-9T SN XX

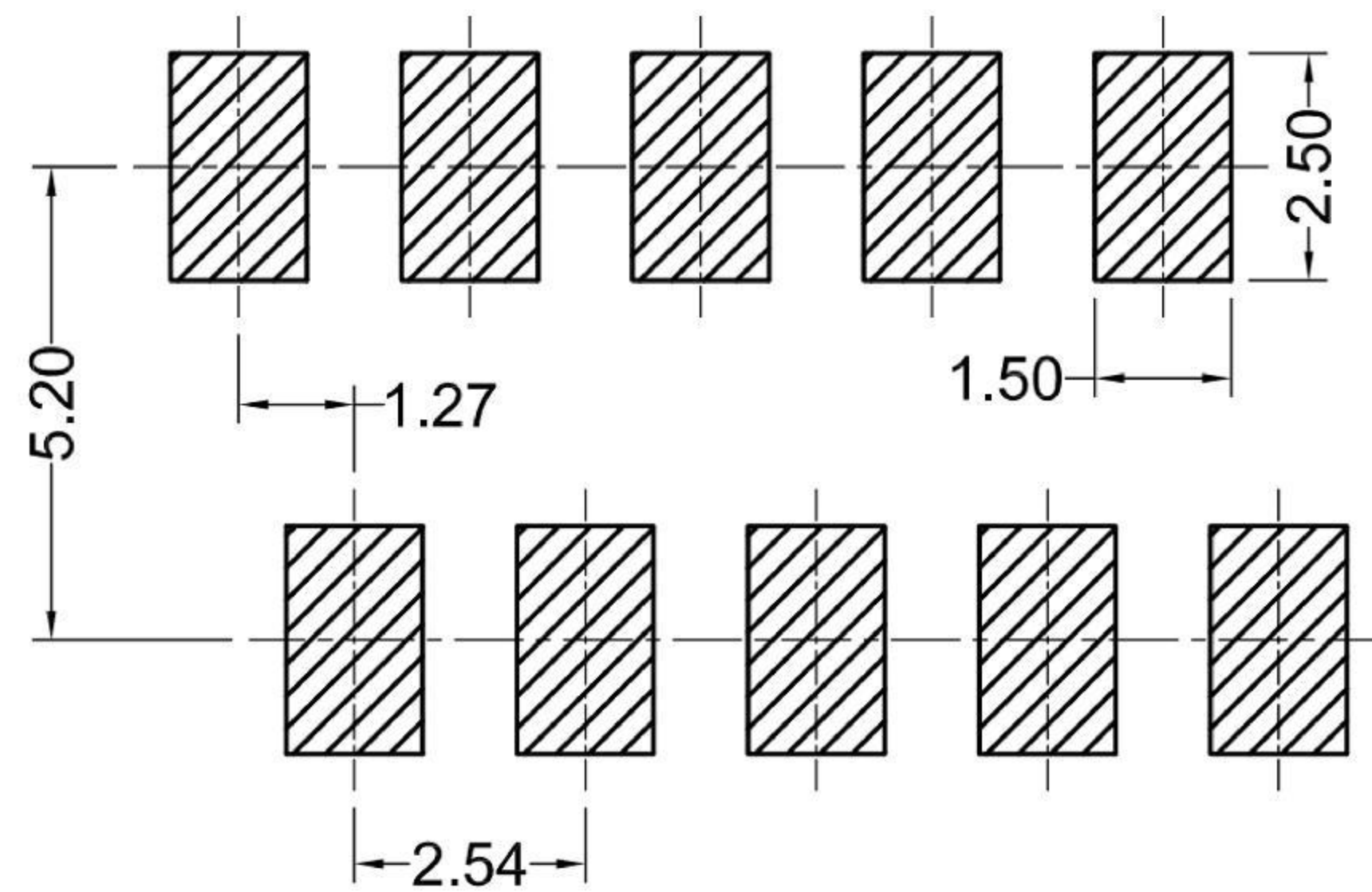
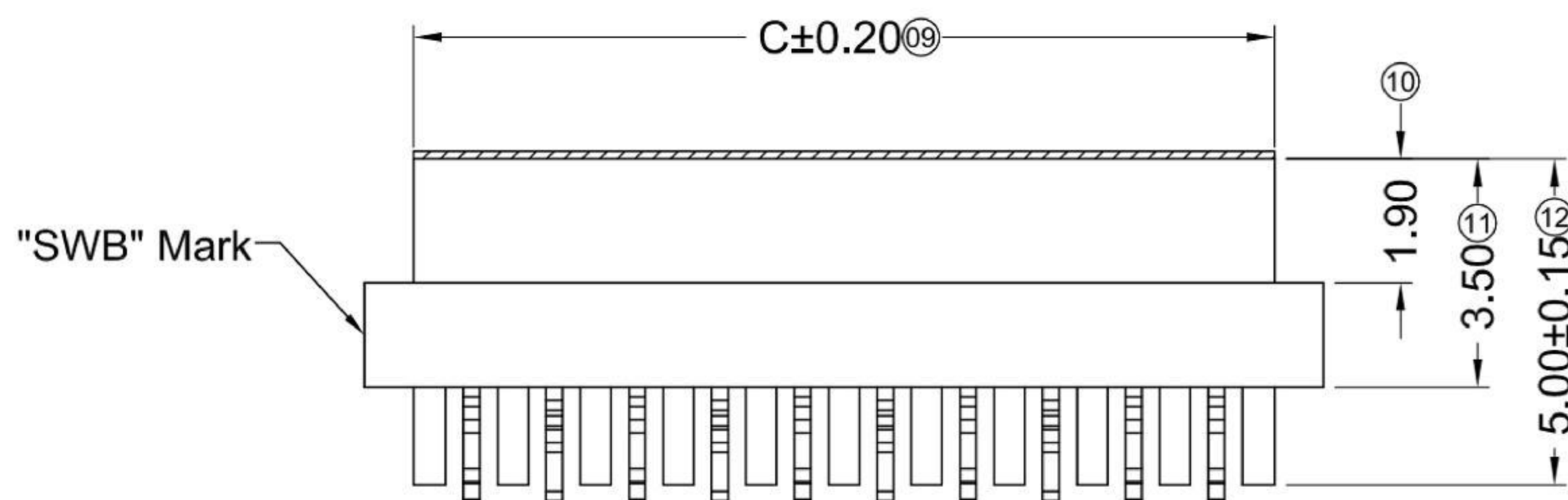
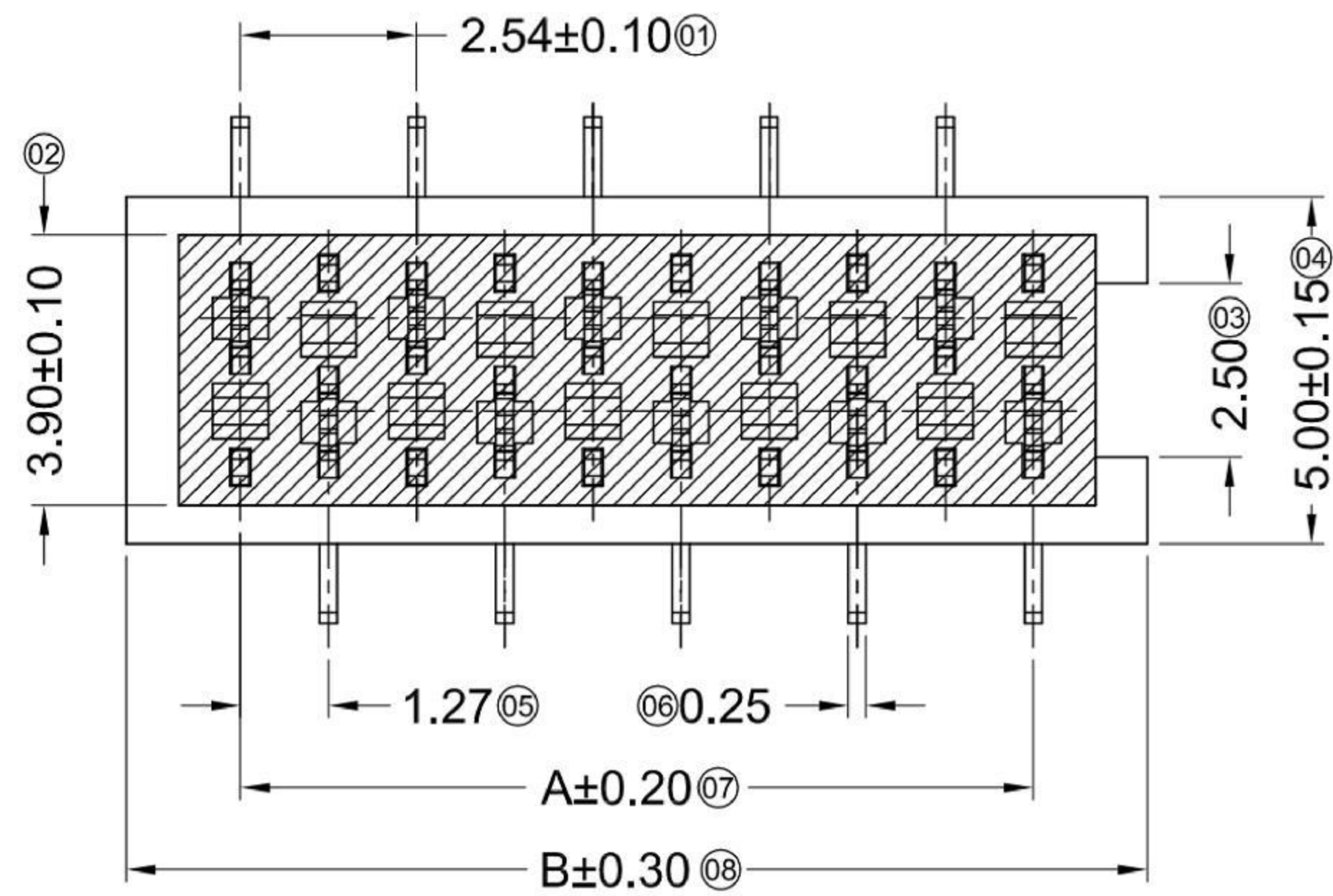
① ② ③ ④ ⑤ ⑥ ⑦ ⑧ ⑨

- ① Series No.
- ② Category: W-wafer
- ③ Welding Board Angle: V- Straight 180°
- ④ Welding Way: S-SMT
- ⑤ Row No.-Pin No.: XX-04P~26P
- ⑥ Plug the Pin & Special No.:  
B4-With boss、tail、Ear、Single Concave
- ⑦ Material: 9T-Nylon 9T 94V-0
- ⑧ Planting Category: SN-Bright tin plating
- ⑨ Color: RE-Red RD-purplish red

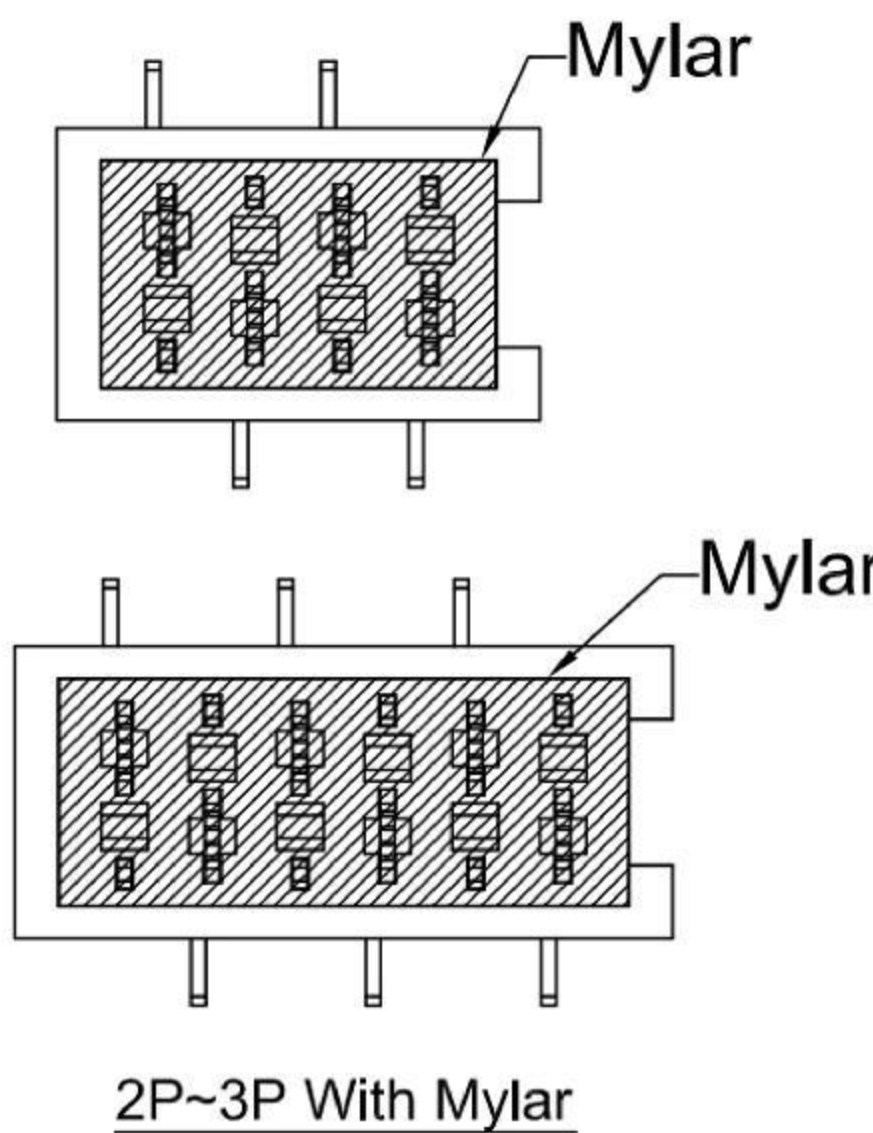
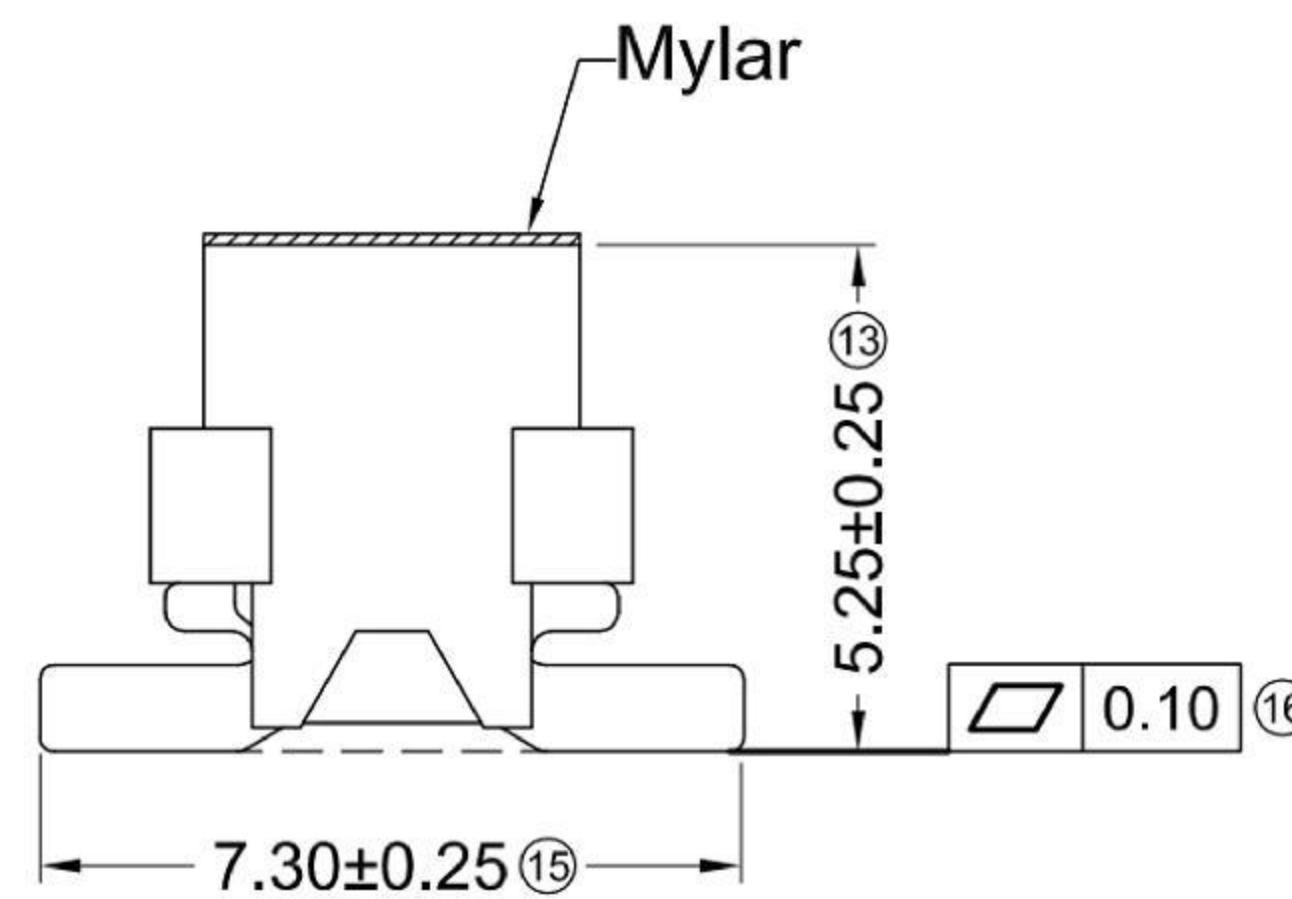
Poles	Dimensions(mm)			Poles	Dimensions(mm)		
	A	B	C		A	B	C
4	3.81	9.70	5.60	16	19.05	24.94	20.84
6	6.35	12.24	8.14	18	21.59	27.48	23.38
8	8.89	14.78	10.68	20	24.13	30.02	25.92
10	11.43	17.32	13.22	22	26.67	32.56	28.46
12	13.97	19.86	15.76	24	29.21	35.10	31.00
14	16.51	22.40	18.30	26	31.75	37.64	33.54

X9127WVS-XXB4-9TSNRD	Purplish red	PA9T UL 94V-0	Brass	Tin-Plated
X9127WVS-XXB4-9TSNRE	RED			
PART NO	Color	Material	Material(Pin)	Finish(Pin)

REVISIONS				ANGULAR	±5°		DSND	SCALE: N/A	MODEL TYPE: BOARD TO BOARD CONNECTOR				
				L ≤ 4	±0.2		DWN	VIEW:	PART NO.:				
				4 < L ≤ 16	±0.3		CHKD	UNIT: mm/in	DWG NO.:				
				16 < L ≤ 63	±0.4		APPD	SIZE: A4					
				L > 63	±0.5	UNSPECIFIED TOLERANCES		DONG GUAN XI BANG ELECTRONIC CO., LTD			WEIGHT	SHEET	REVISION
www.alpsr.com www.gdxjdz.com www.xbswitch.com											1/1	A0	



Recommended PCB Layout(Top Side)  
(PCB Board Tolerance±0.05)



## Specifications :

- Voltage rating: 500V AC / DC
- Current rating: 1A AC / DC
- Withstanding voltage: 500V AC/minute
- Temperature range: -40°C~+105°C
- Insulation resistance: ≥1000MΩ
- Contact resistance: ≤10mΩ
- After environmental testing: ≤20mΩ

X9127 W V S-XX AM-9T SN XX

① ② ③ ④ ⑤ ⑥ ⑦ ⑧ ⑨

- ① Series No.
- ② Category: W-wafer
- ③ Welding Board Angle: V- Straight 180°
- ④ Welding Way: S-SMT
- ⑤ Row No.-Pin No.: XX-04P~26P
- ⑥ Plug the Pin & Special No.:  
AM-With Single Gap and Mylar
- ⑦ Material: 9T-Nylon 9T 94V-0
- ⑧ Planting Category: SN-Bright tin plating
- ⑨ Color: RE-Red RD-purplish red

Poles	Dimensions(mm)			Poles	Dimensions(mm)		
	A	B	C		A	B	C
04	3.81	7.00	5.60	16	19.05	22.24	20.84
06	6.35	9.54	8.14	18	21.59	24.78	23.38
08	8.89	12.08	10.68	20	24.13	27.32	25.92
10	11.43	14.62	13.22	22	26.67	29.86	28.46
12	13.97	17.16	15.76	24	29.21	32.40	31.00
14	16.51	19.70	18.30	26	31.75	34.94	33.54

X9127WVS-XXAM-9TSNRD	Purplish red	PA9T UL 94V-0	Brass	Tin-Plated
X9127WVS-XXAM-9TSNRE	RED			
PART NO	Color	Material	Material(Pin)	Finish(Pin)

ANGULAR	±5°		DSND		SCALE: N/A	MODEL TYPE: BOARD TO BOARD CONNECTOR	
L ≤ 4	±0.2		DWN		VIEW:	PART NO.:	
4 < L ≤ 16	±0.3		CHKD		UNIT: mm/in	DWG NO.:	
16 < L ≤ 63	±0.4		APPD		SIZE: A4		
L > 63	±0.5						
UNSPECIFIED TOLERANCES		DONG GUAN XI BANG ELECTRONIC CO., LTD			WEIGHT	SHEET	REVISION
www.alpsr.com www.gdxjdz.com www.xbswitch.com						1/1	A0