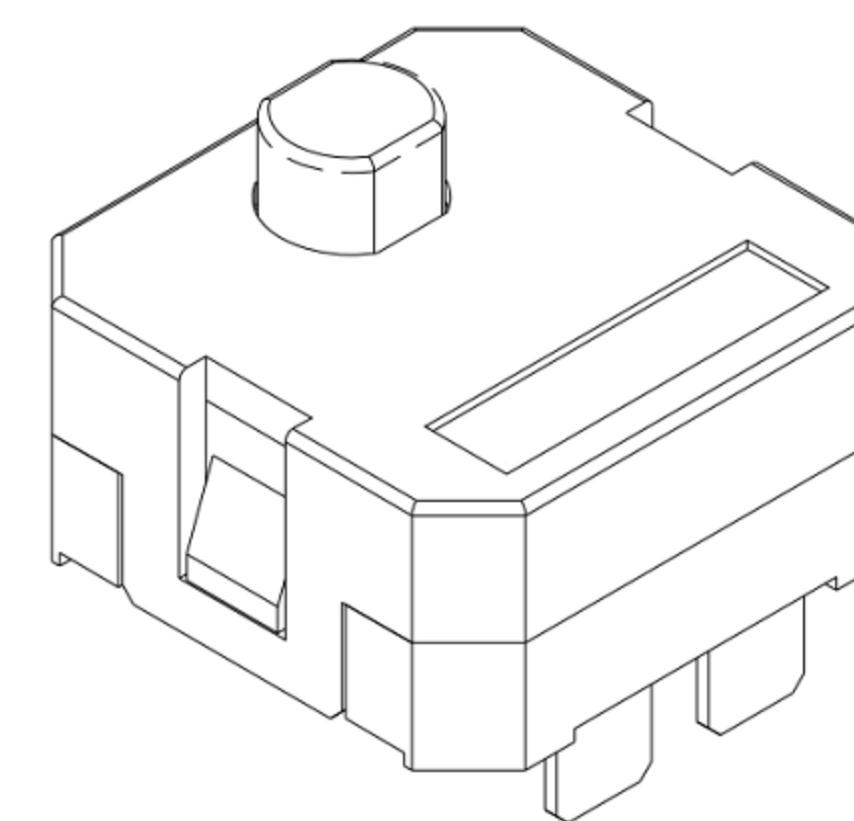
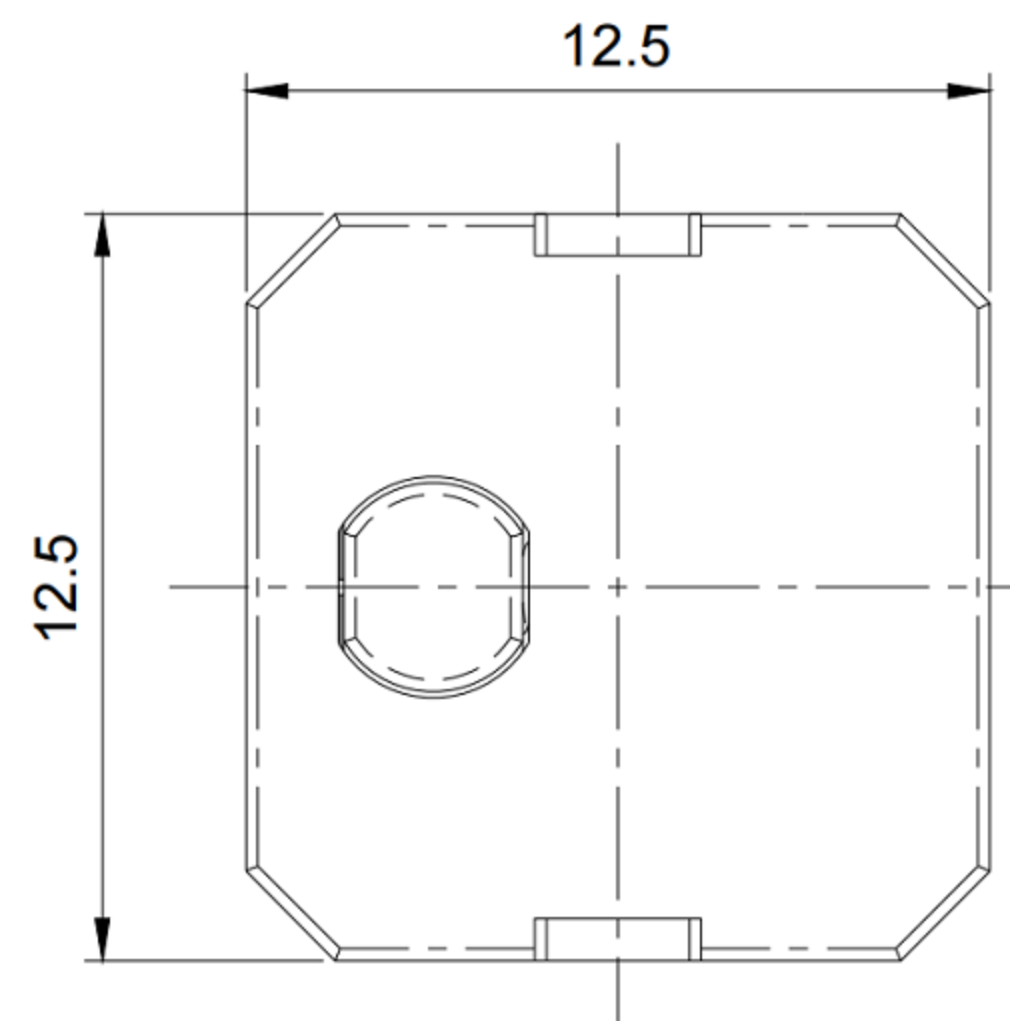
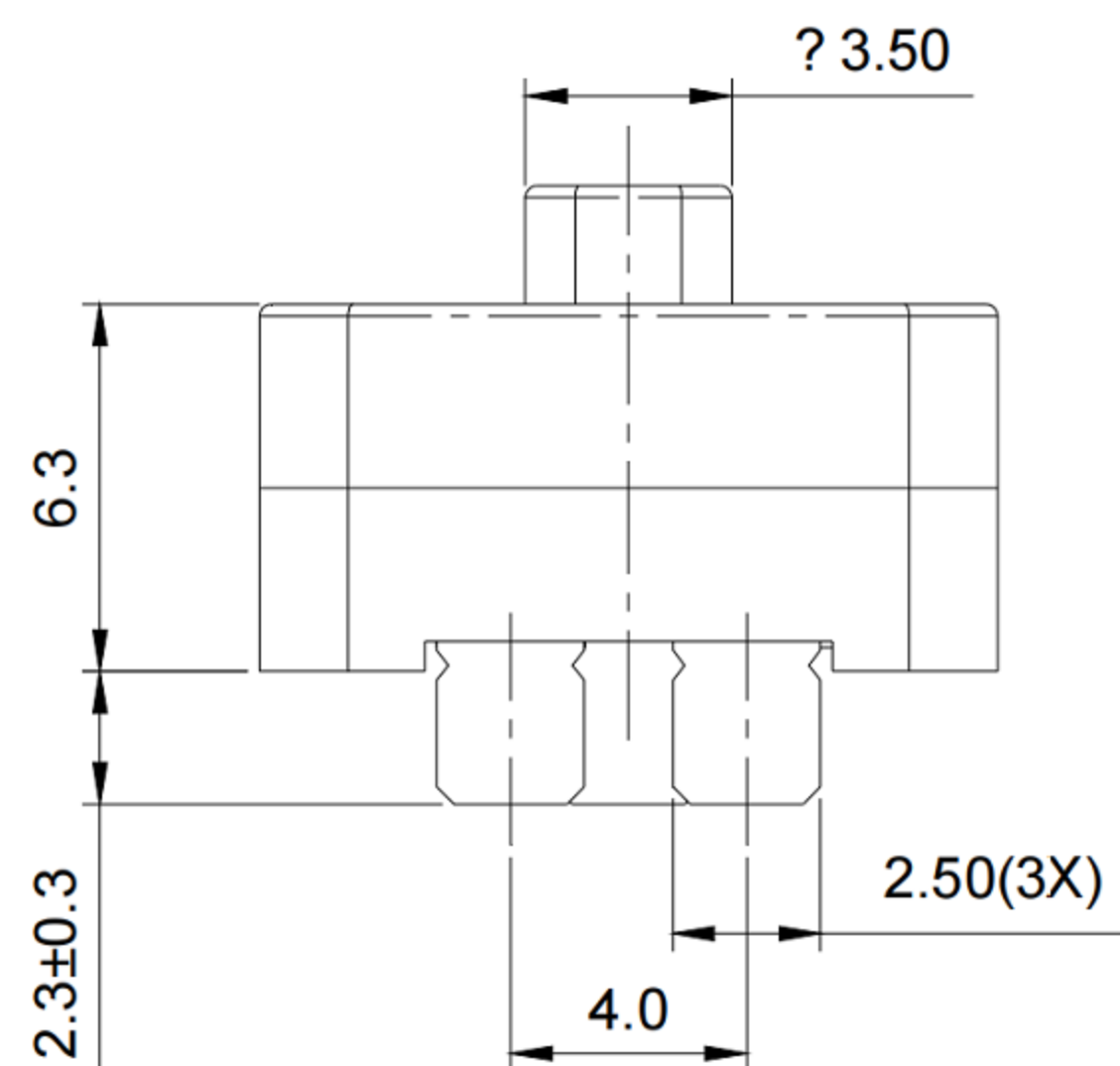
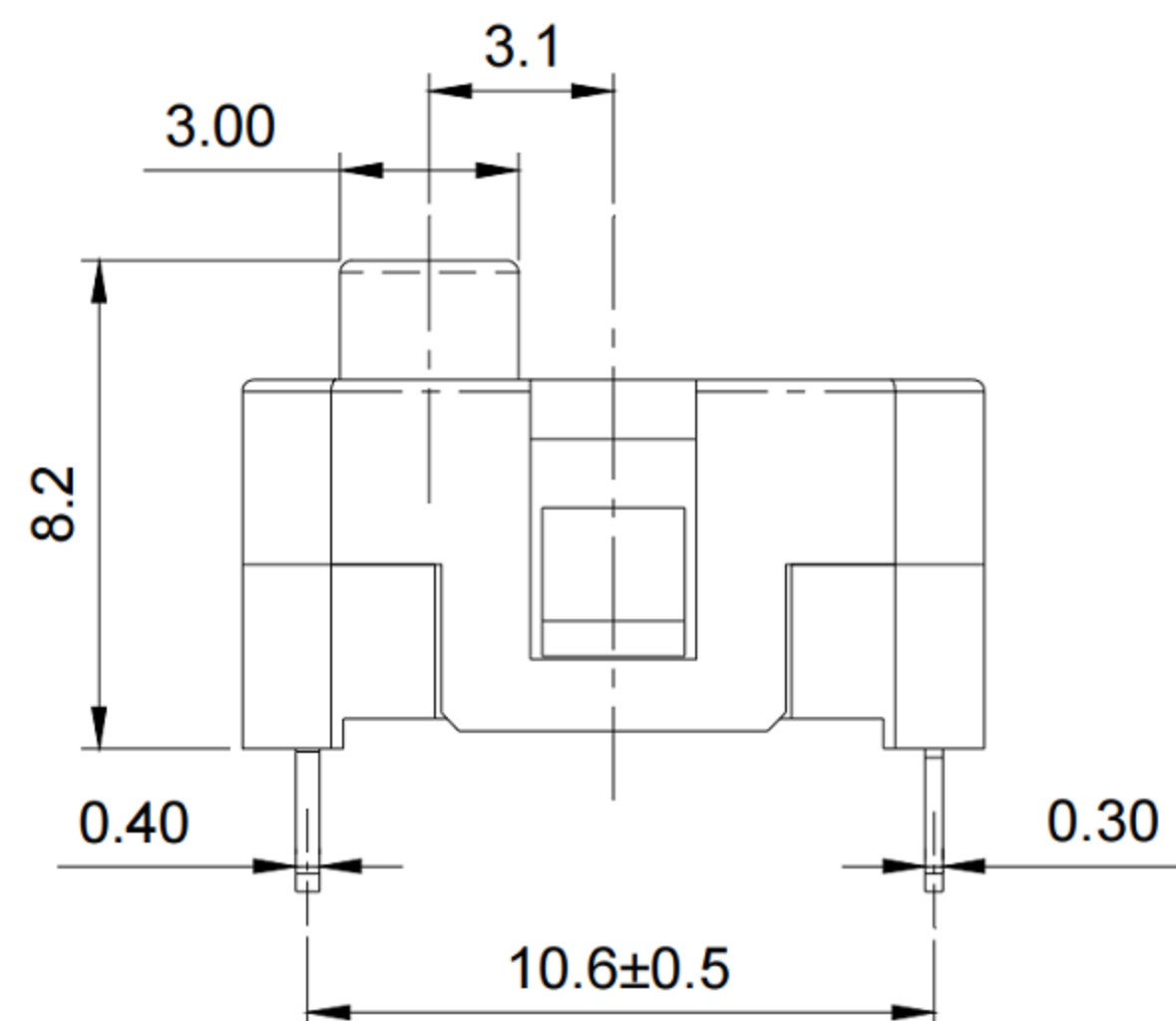
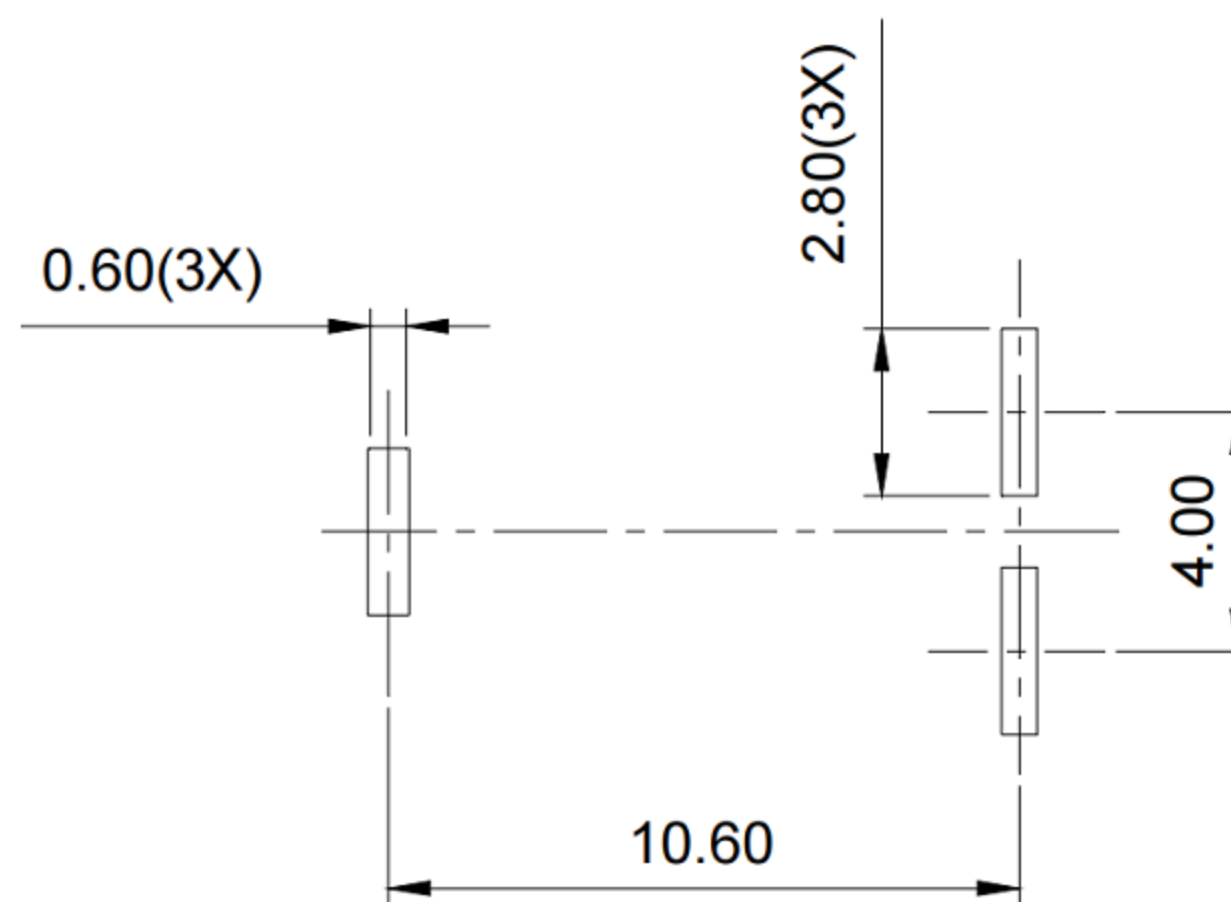
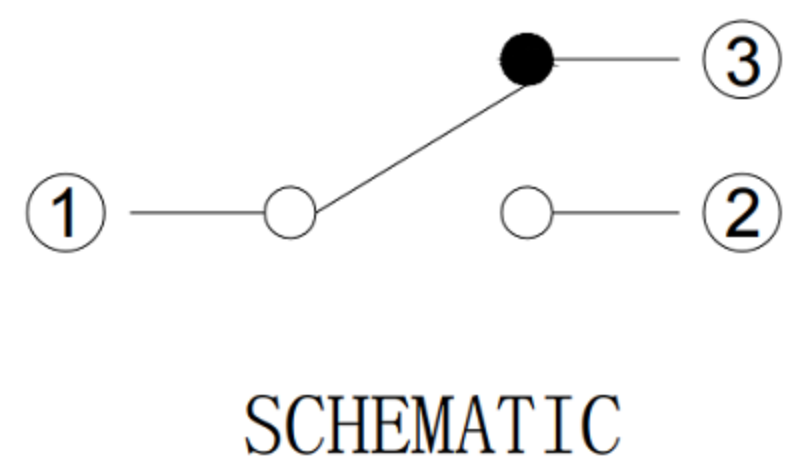
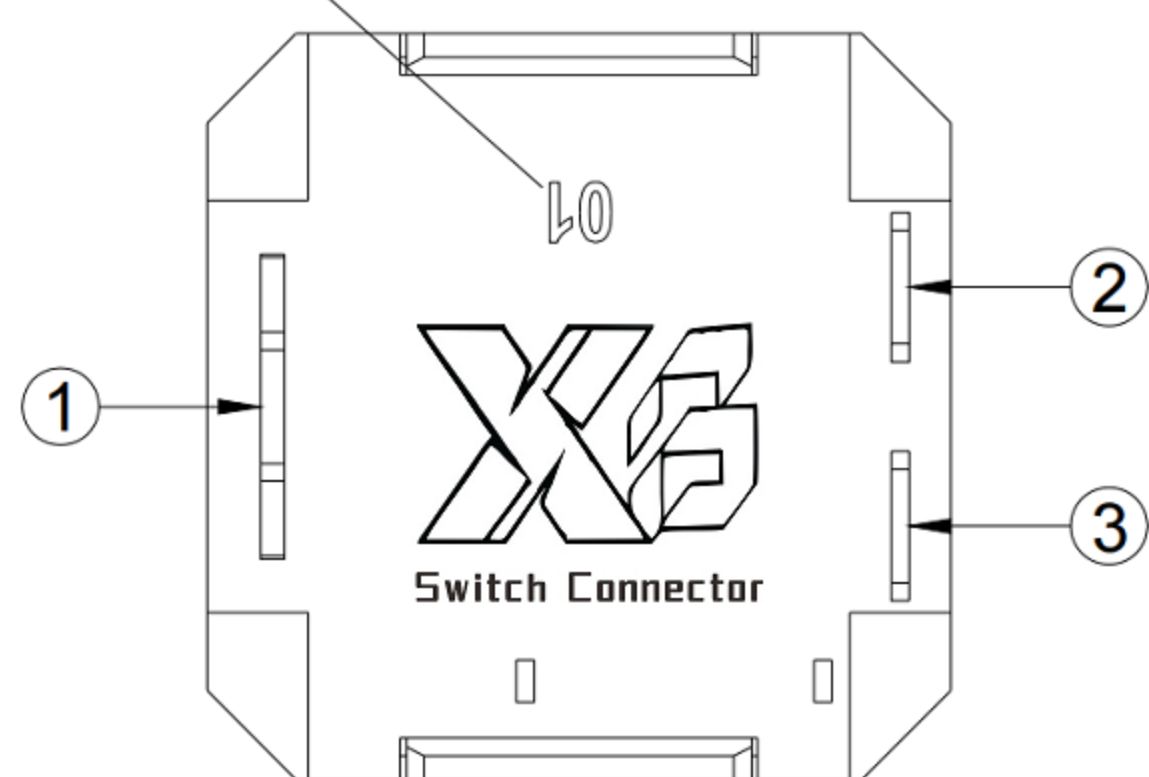


CAD FILE:

**ROHS**



Cavity NO.



P. C. B. LAYOUT

NOTES:

- 1.RATING: □ 5(3)A 125 / 250VAC  
                   ■ 10.5A 125 / 250VAC
- 2.CONTACT RESISTANCE: 50mΩ Max (Initial).
- 3.INSULATION RESISTANCE: 100MΩ 500VDC FOR 1MIN
- 4.DIELECTRIC STRENGTH: 500VAC(50/60Hz) FOR 1MIN
- 5.ELECTRICALLY LIFE: 10,000 CYCLES MIN
- 6.OPERATION FORCE: 250±100g .
- 7.SWITCH ON TRAVEL: 0.5±0.2 mm
- 8.TOTAL TRAVEL: 0.80mm MAX.
- 9.OPERATING TEMPERATURE RANGE: -25°C~+85°C

8					TOLERANCE					
7					UNLESS SPECIFIED					
6					WITHIN 1.5mm : ±0.1mm	A	2012-9-25	初版		ZENQ. CHEN
5					OVER 1.5mm : ±0.2mm	ISSUE	DATE	DESCRIPTIONS OF REVISION		APPD.
4	CONTACT	SUS	1	Ag CLAD	TITLE : <b>XB Micro Switch</b>			UNIT : mm	DRWG NO.: XB-MX-6312	
3	CASE	PPA/BRASS SRTIP	1	BLACK/Ag PLATED	MODEL: XB-MX-6312			SCALE: 5:1	DWN.	JUN. YANG 2012-9-25
2	COVER	STEEL STRIP	1	Ni PLATED	<b>东莞市溪榜电子有限公司</b> DONG GUAN XI BANG ELECTRONI CS CO., LTD.			CHK'D	DONG. PANG	2012-9-25
1	KNOB	PPA	1	BLACK				APPD.	ZENQ. CHEN	2012-9-25
NO.	PARTS	MATERIALS	Q'TY	FINISH						