

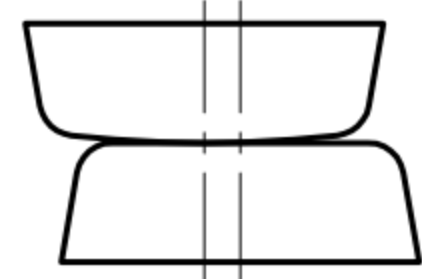
CAD FILE:

ROHS

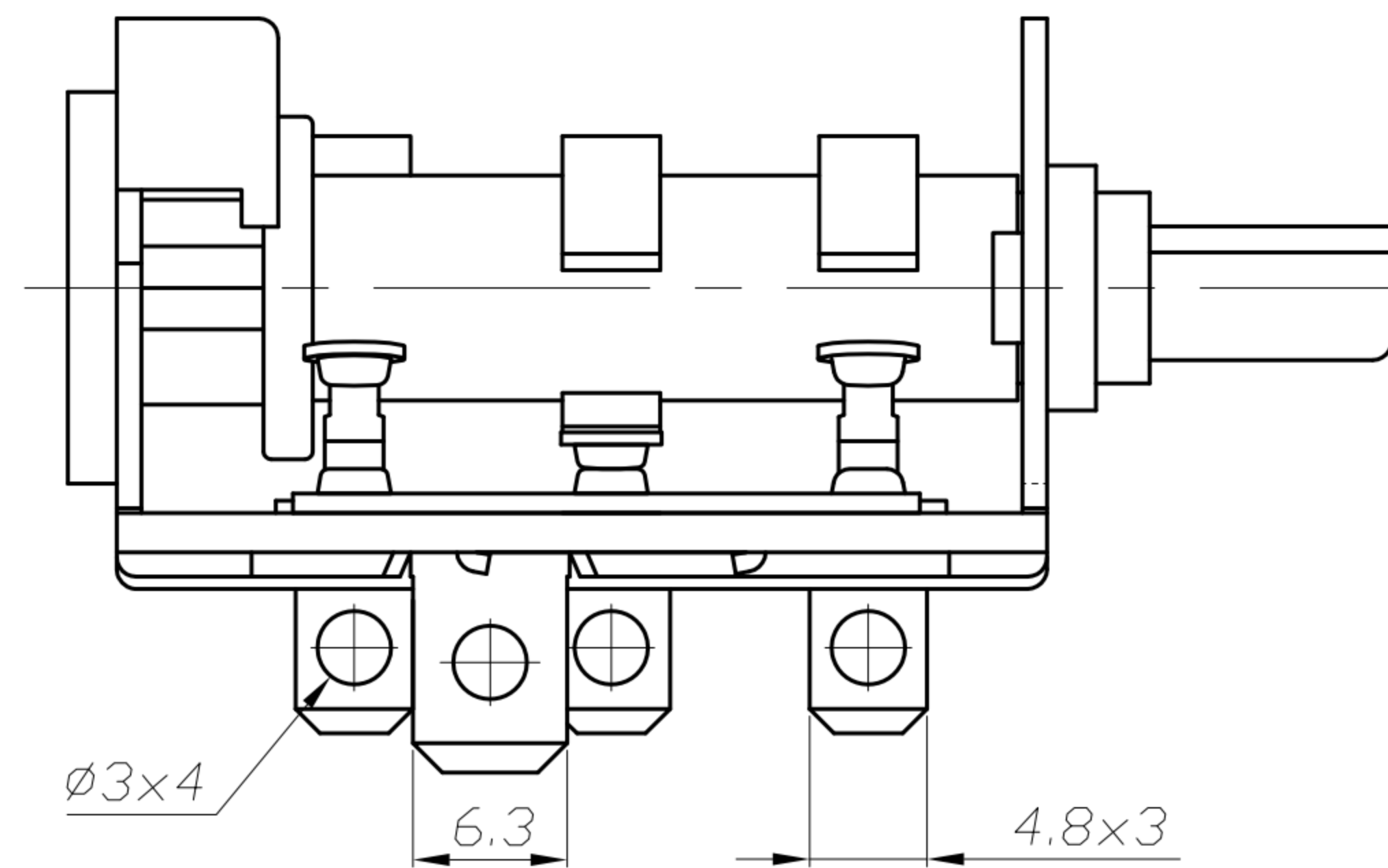
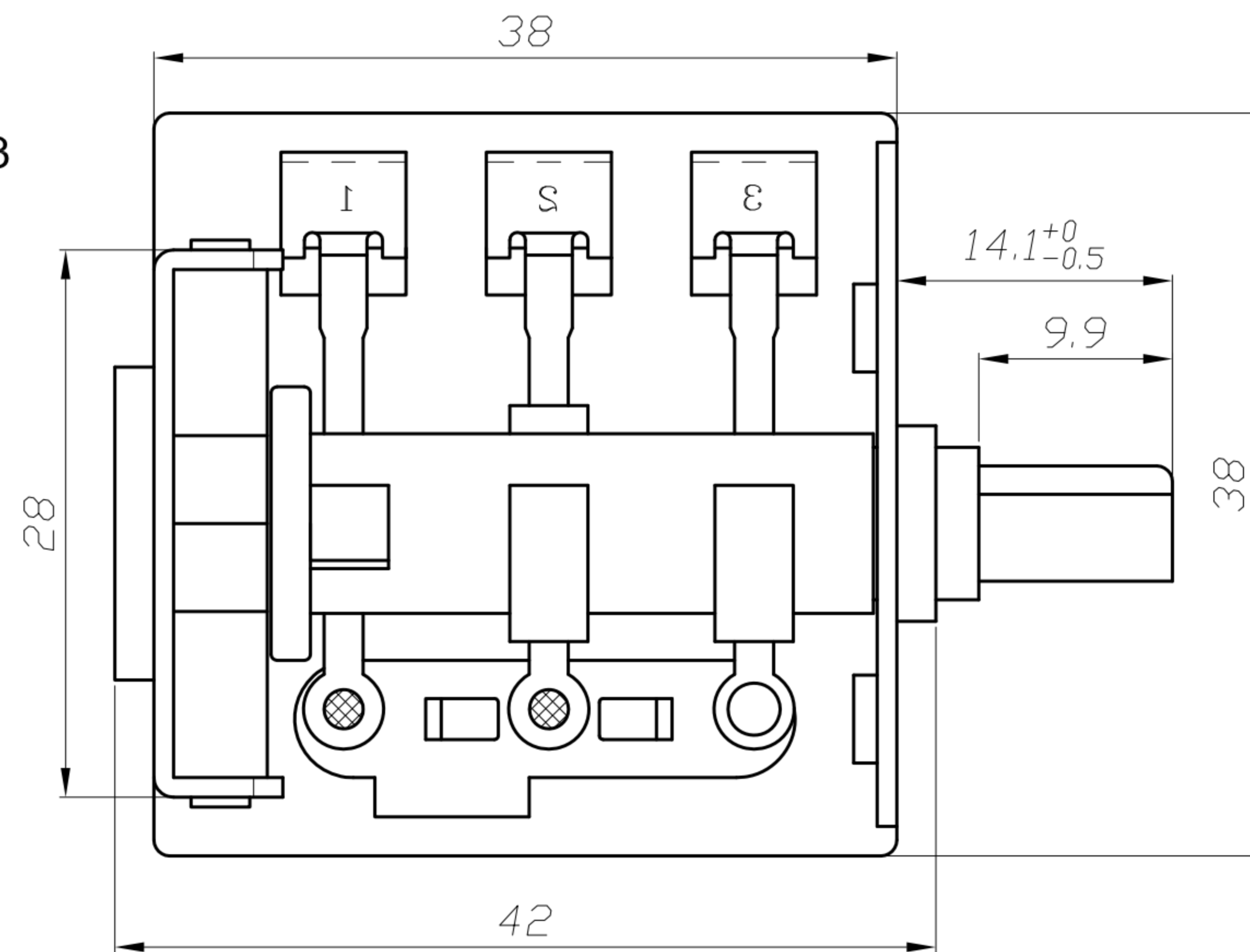
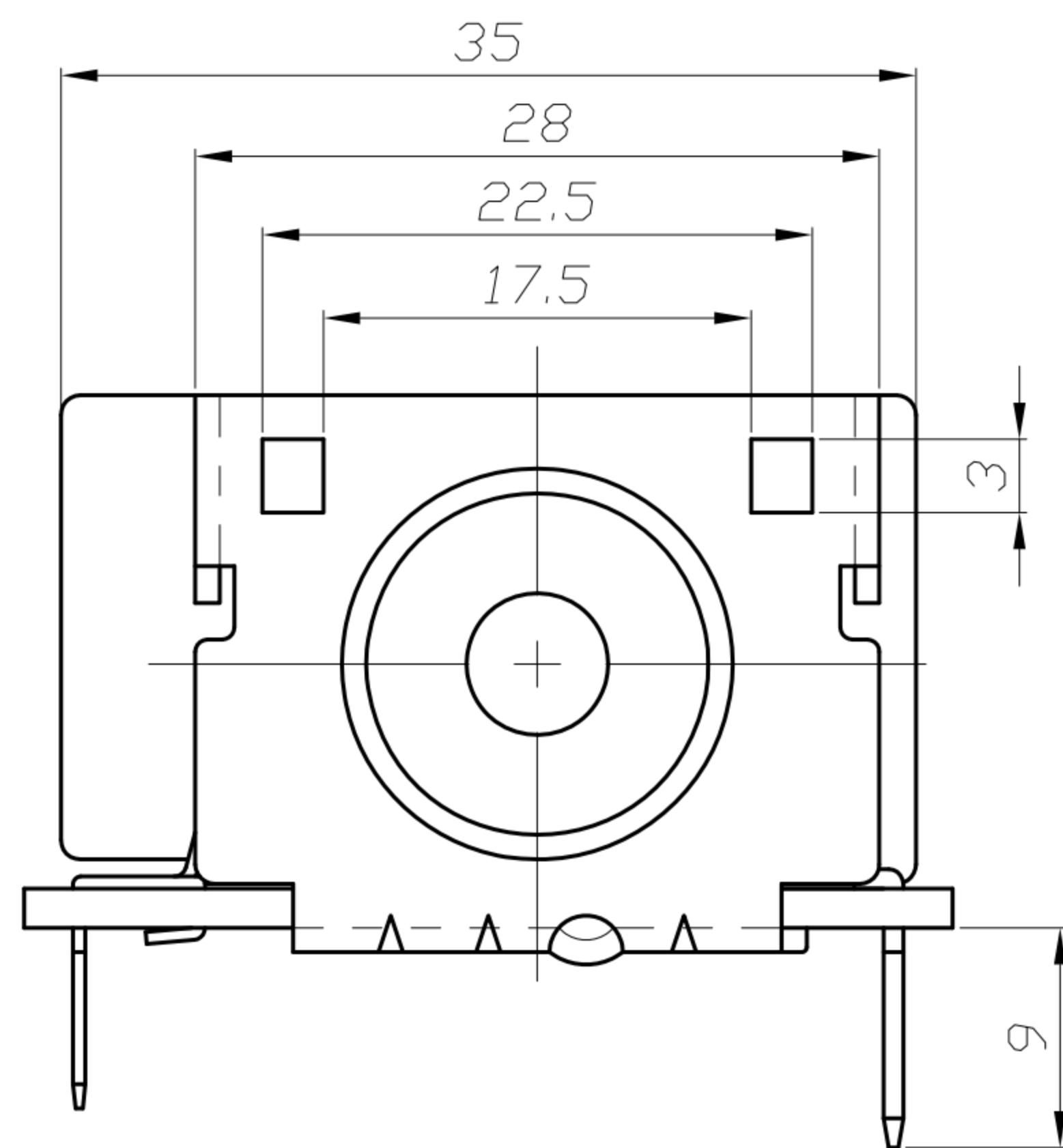
1. 旋转开关型号 ROTARY SWITCH MODEL NO:
HR31-M61A-1P-F1-R
2. 额定 RATING: 16A 125VAC(CQC)
12A 250VAC(CQC)
CQC CERTIFICATE NO. CQC10002053953

3. 所有部件均使用环保材料
ALL MATERIALS USING MEET THE RoHS DIRECTIVE

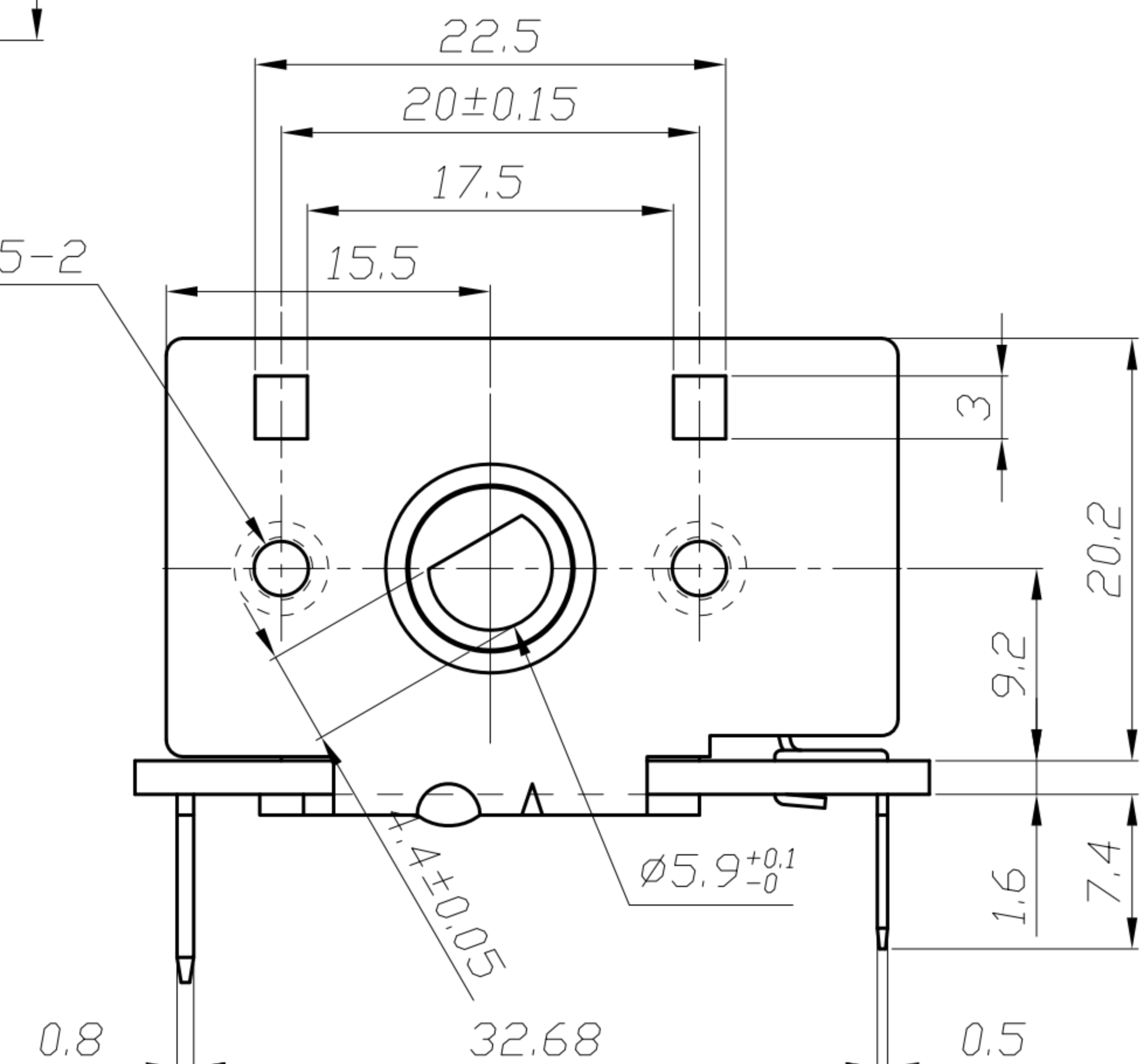
LESS THAN 0.2mm



CONTACT POSITION



M3x0.5-2



1POLE 6 POSITIONS
FUNCTION 1

	X		X			1
X	X		X	X		2
X	X					3
⊙	⊙	⊙	⊙	⊙	⊙	

NO.	PARTS	MATERIALS	Q'TY	FINISH	TOLERANCE UNLESS SPECIFIED			
8					TOLERANCE UNLESS SPECIFIED			
7					TOLERANCE UNLESS SPECIFIED			
6					WITHIN 1.5mm : ±0.1mm	A	2012-9-25	初版
5					OVER 1.5mm : ±0.2mm	ISSUE	DATE	DESCRIPTIONS OF REVISION
4	CONTACT	SUS	1	Ag CLAD	TITLE : 电源旋转开关			UNIT : mm
3	CASE	PPA/BRASS SRTIP	1	BLACK/Ag PLATED	MODEL: Power Rotary Switch			DRWG NO.:XB-HR31-M61A-1P-F1-R
2	COVER	STEEL STRIP	1	Ni PLATED	SCALE: 5:1	DWN.	JUN. YANG	2012-9-25
1	KNOB	PPA	1	BLACK	DONG GUAN XI BANG ELECTRONICS CO., LTD.			CHK'D DONG. PANG 2012-9-25
					APPD. ZENQ. CHEN 2012-9-25			



东莞市溪榜电子有限公司
DONG GUAN XI BANG ELECTRONICS CO., LTD.

APPD. ZENQ. CHEN 2012-9-25