

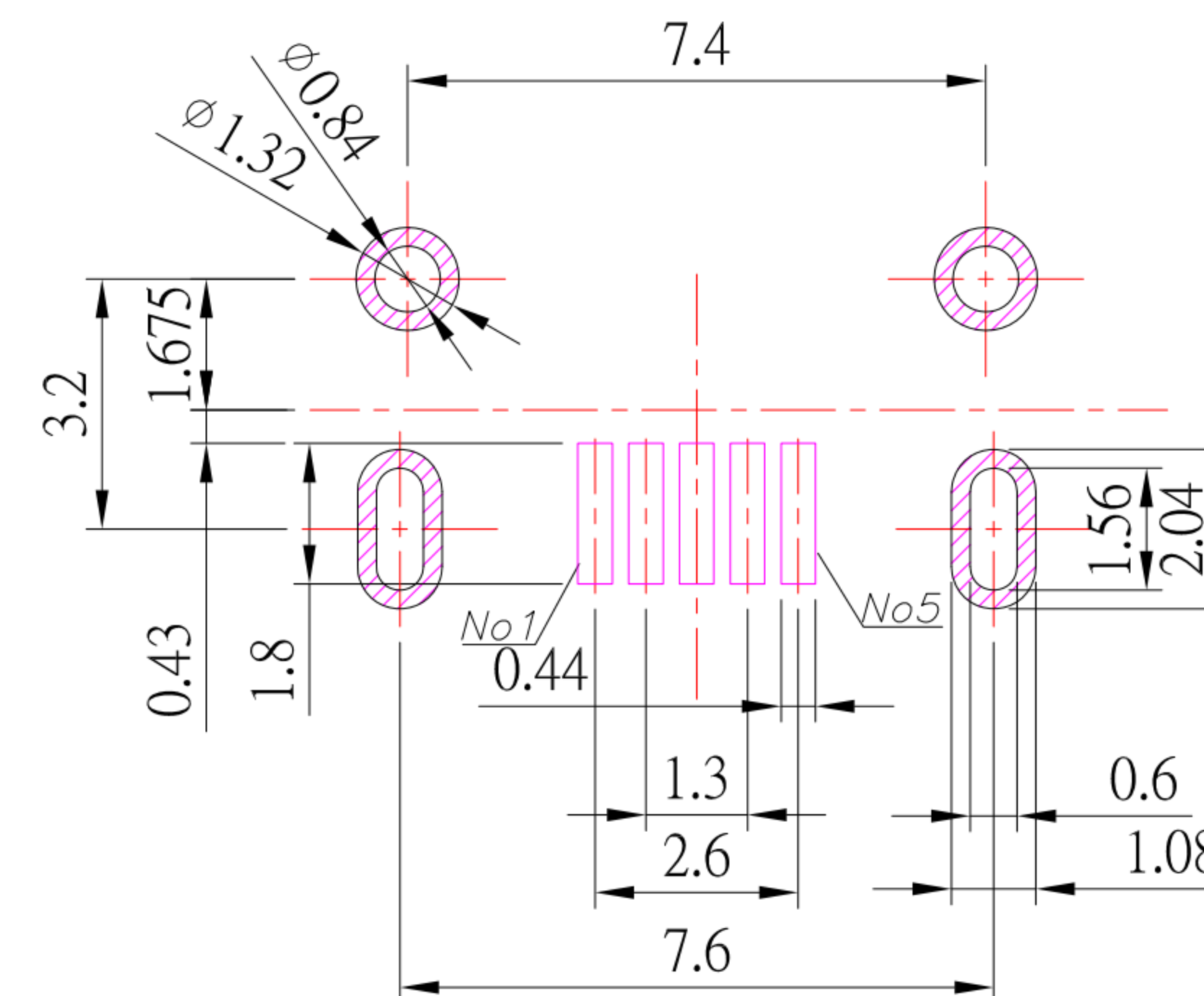
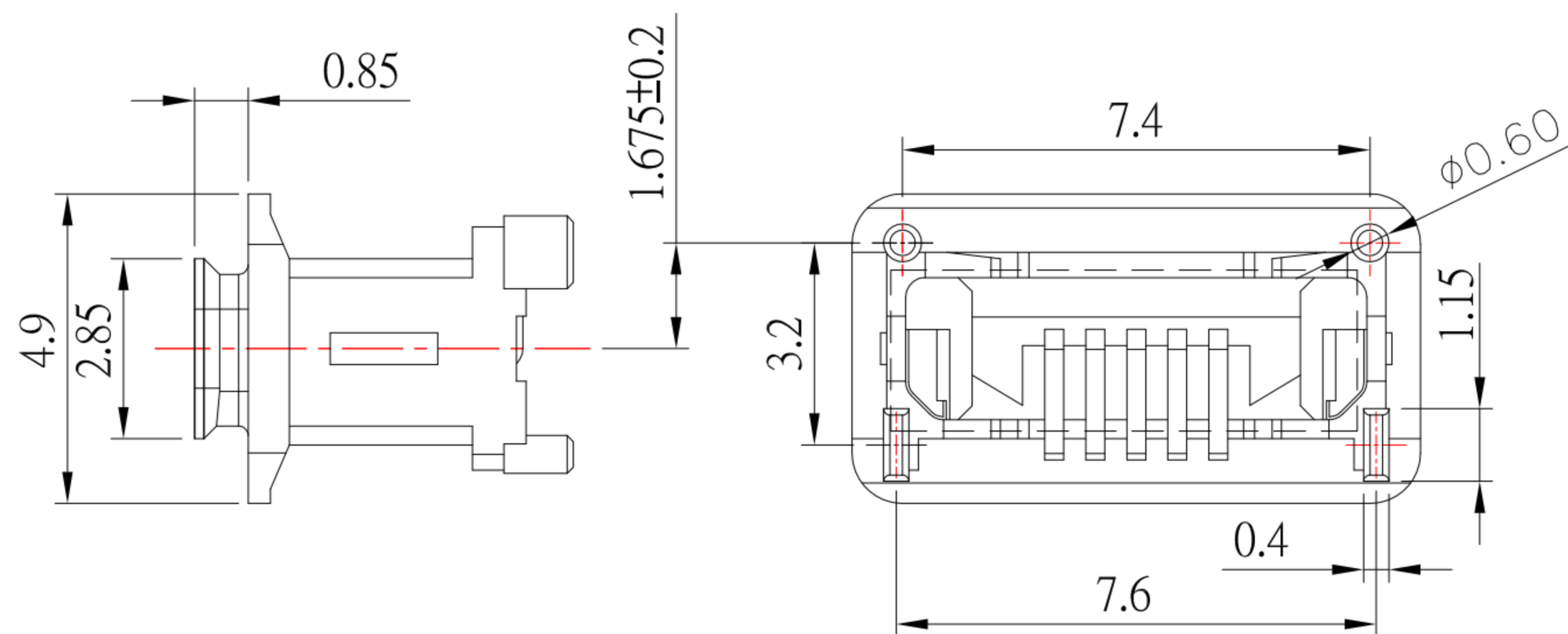
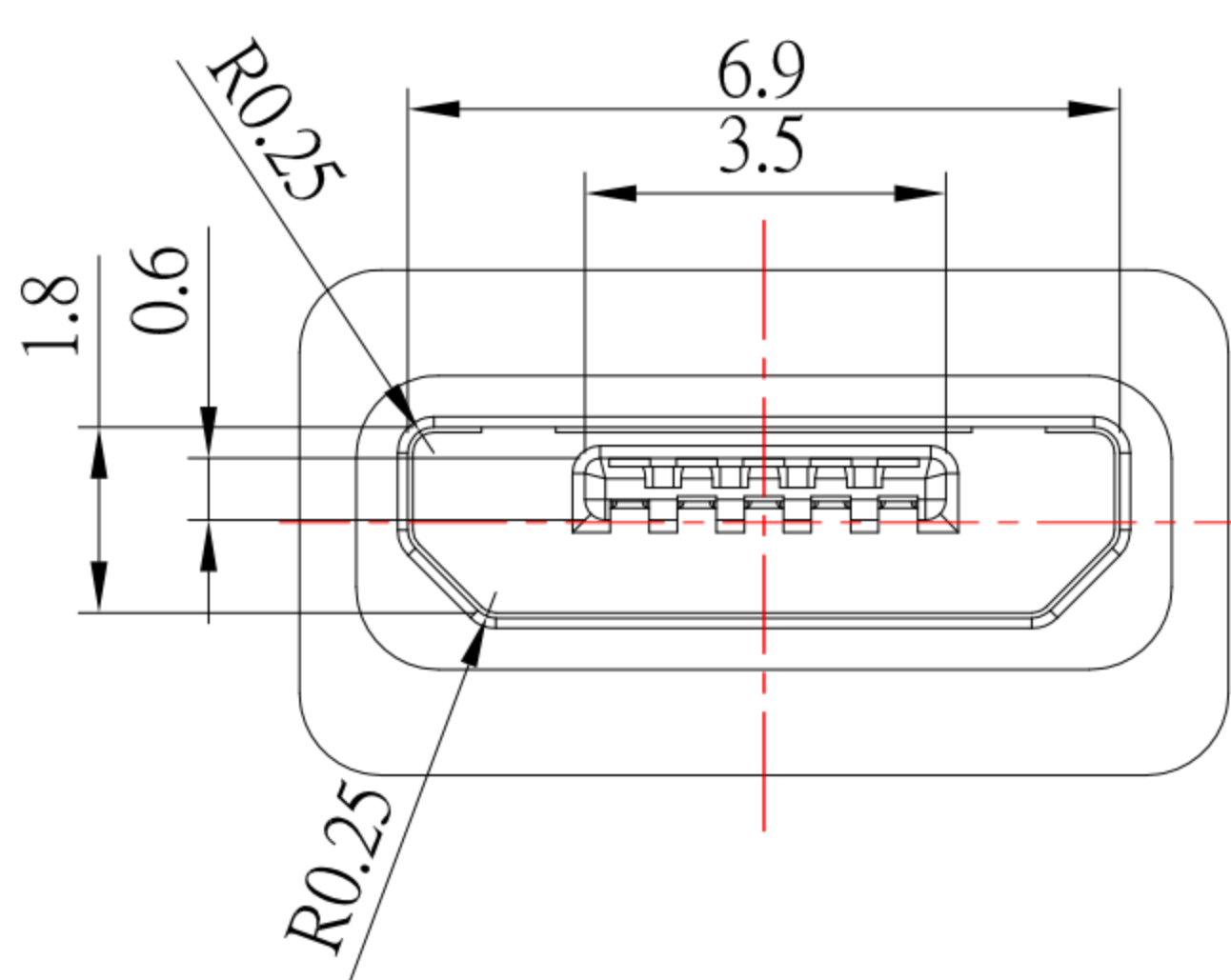
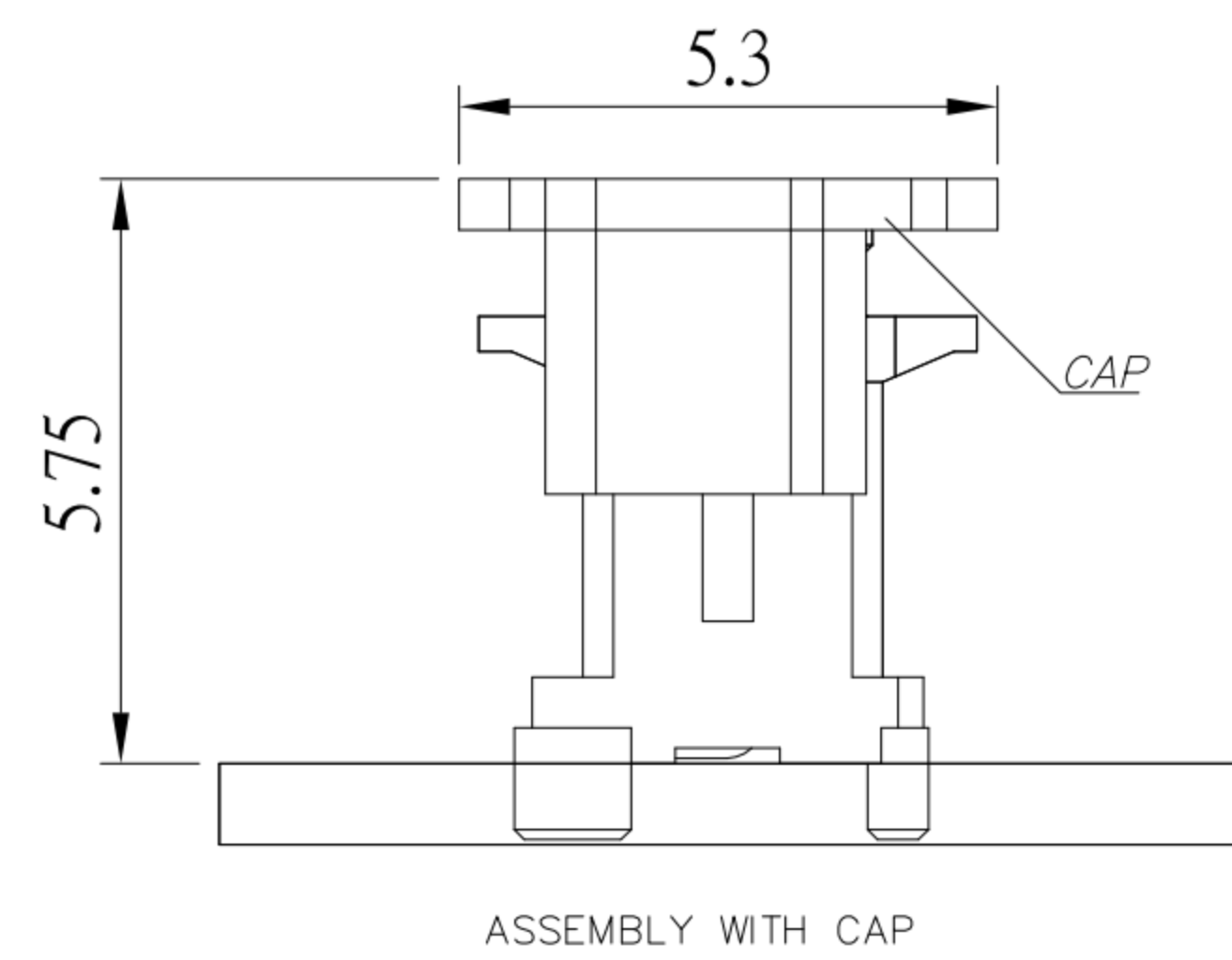
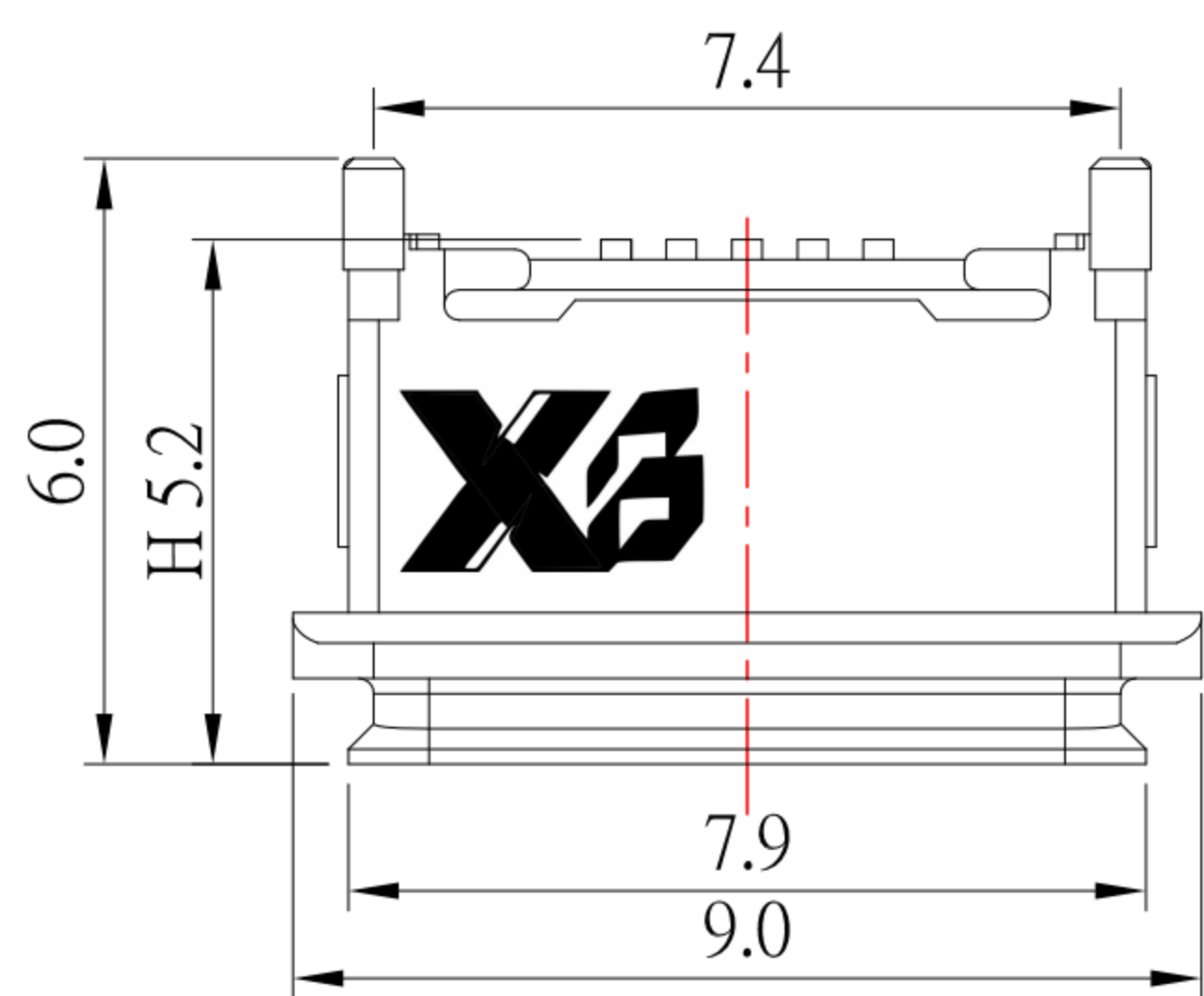
MRUSB-5B-WP9VA-x-S382

IPX7

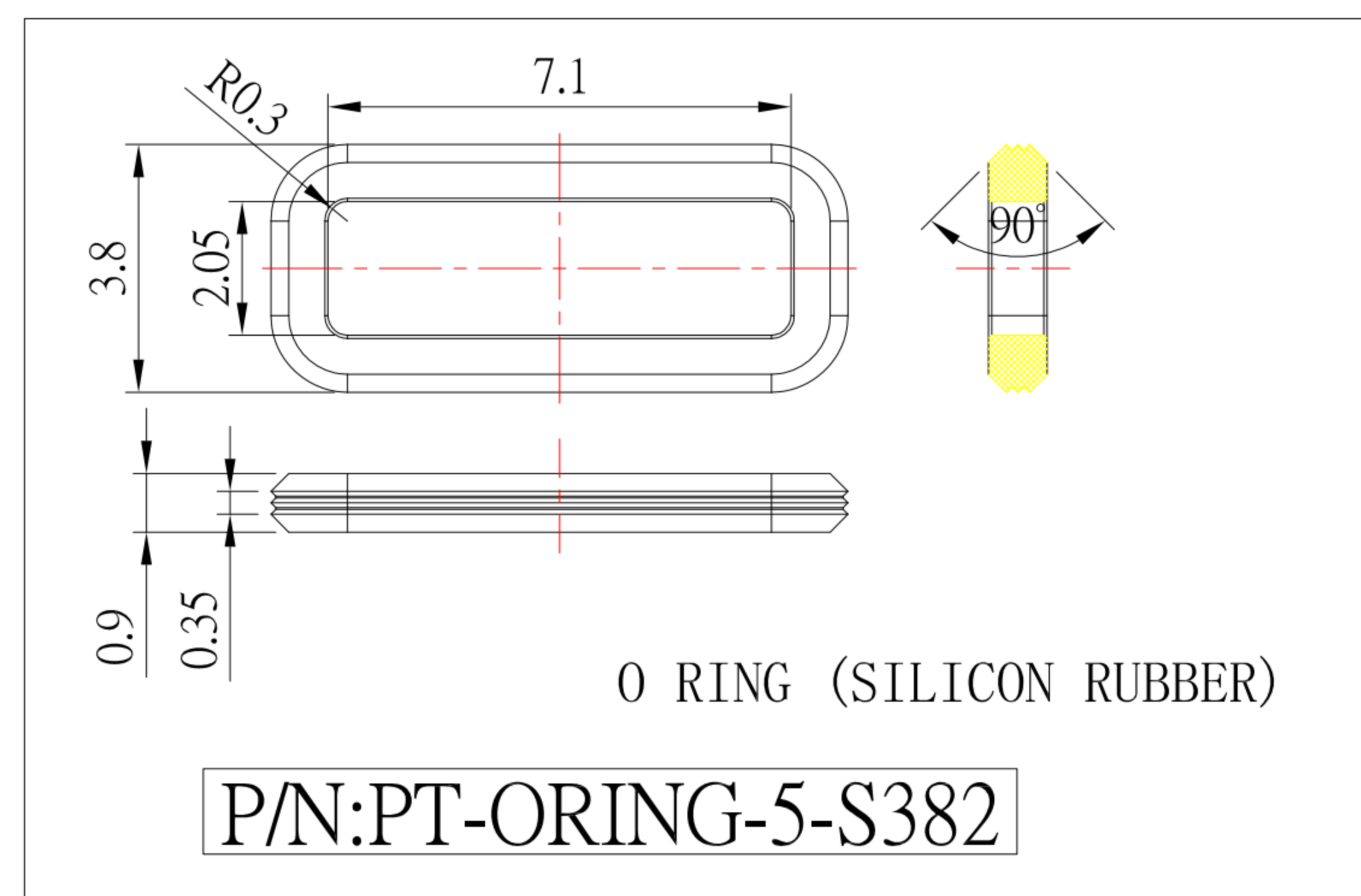
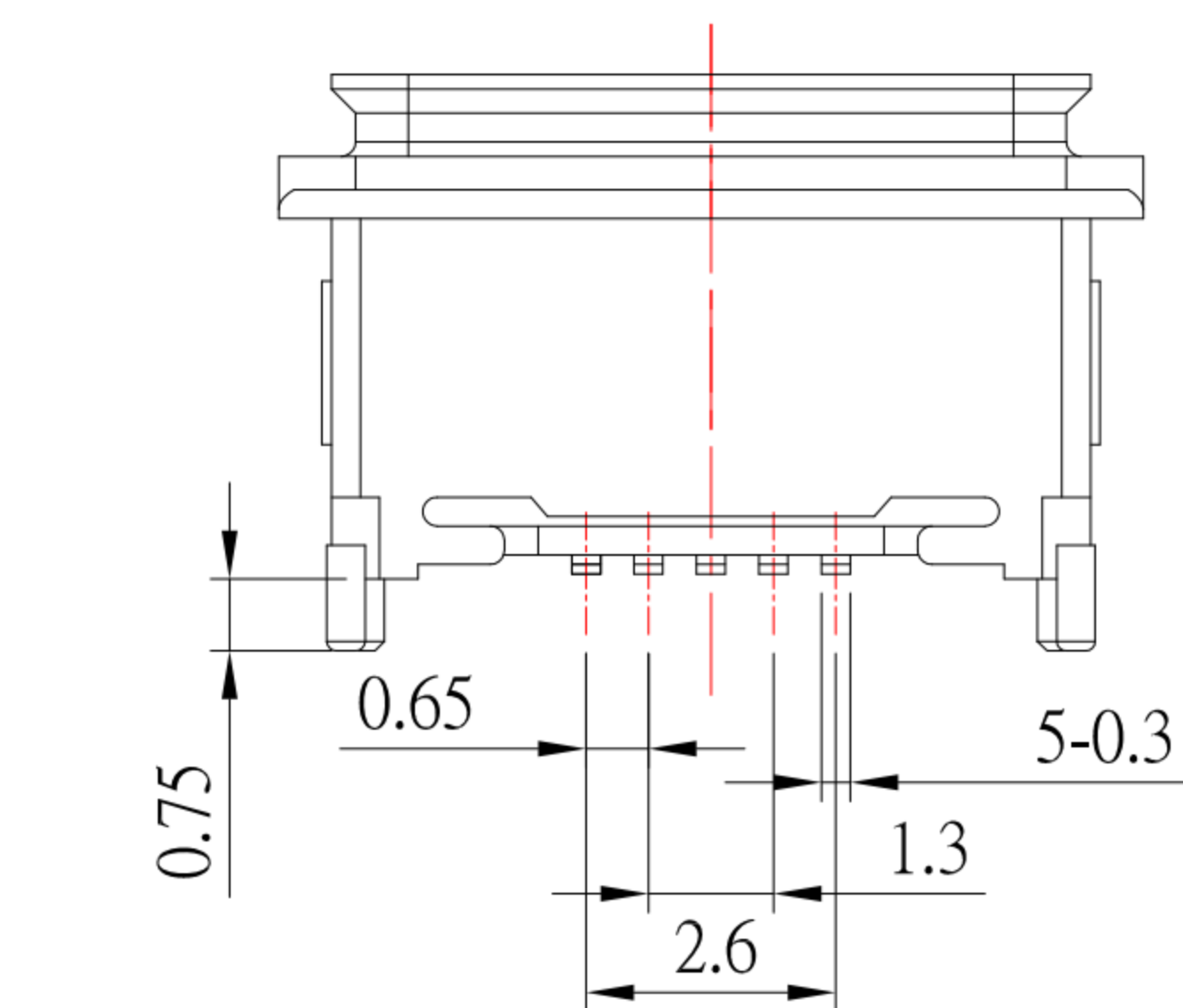


鍍層厚度:

Blank	: 1u"
2	: 15u"
3	: 30u"



P.C.B LAYOUT MOUNTING PATTERN



O RING (SILICON RUBBER)

P/N:PT-ORING-5-S382

NOTES:

MATERIAL:

- 1.1 HOUSING: HIGH-TEMP
- 1.2 CONTACT: COPPER ALLOY
- 1.3 SHELL: SUS

FINISH:

- 2.1 CONTACT: PLATED GOLD IN MATING AREA ;
GOLD PLATED ON SOLDER BALLS ;
NICKEL UNDER PLATED OVERALL
- 2.2 SHELL: NICKEL UNDER PLATED SURFACE LAYER

3.SPECIFICATION:

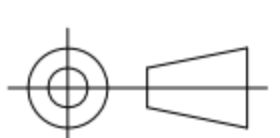
- 3.1 RATING: 1.8 A(PIN1,5) ; 1.0A(PIN2,3,4) , 30VAC
- 3.2 DIELECTRIC WITHSTANDING VOLTAGE: 100 VAC
- 3.3 CONTACT RESISTANCE: 30 mΩ MAX.
- 3.4 INSULATION RESISTANCE: 1000 MΩ MIN.

9	更新料號	Jack	102720
8	更新樣式及尺寸	Jack	092820
7	更新圖面	Jack	111119
6	更新Rating	Jack	042319
5	新增ORING料號	Jack	032819
4	更新樣式	Jack	121218
3	更新PCB LAYOUT尺寸	Jack	061318
2	更新尺寸	Jack	061218
1	更新圖面	Jack	052318
ITEM NO.	DESCRIPTION	DRAWN	DATE

东莞市溪榜电子有限公司
DONG GUAN XI BANG ELECTRONICS CO., LTD

TOLERANCE UNLESS OTHERWISE STATED:
Up to 5 ±0.2
Above 5 ~ 15 ±0.3
Above 15 ~ 30 ±0.4
Above 30 ~ 50 ±0.5
Angle ±0.3°

3RD. ANGEL'S



UNITS MM

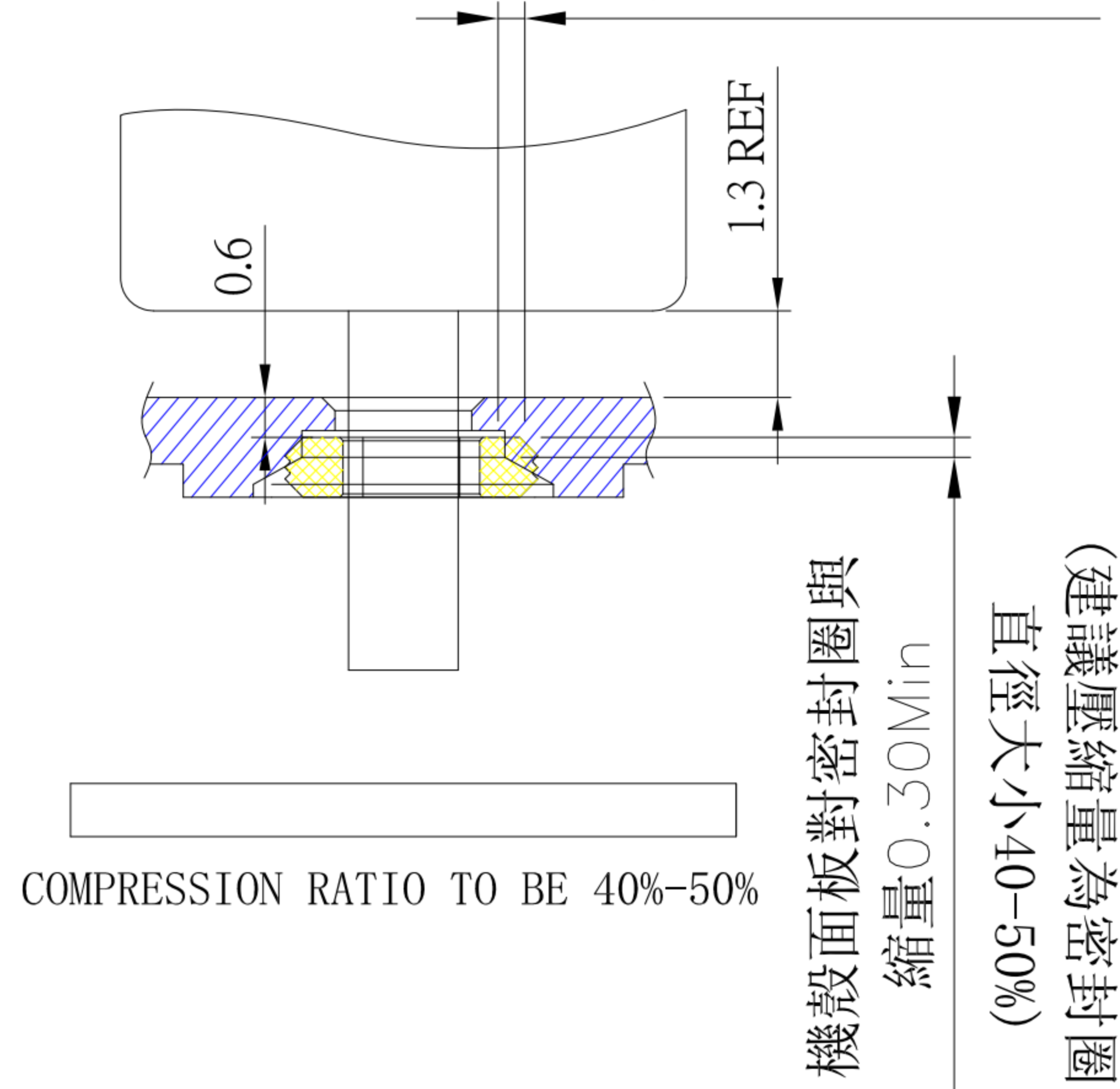
DRAWN BY:	DATE	MAT'L	TITLE	CONNECTOR
Jack Lu	10/27/20		MODLE	MICRO USB 5PF B TYPE 直立式 防水型 IPX7 (外殼腳1.15 X 0.4 X 0.75)
CHECKED BY:	DATE	FINISH	DWG NO.	MRUSB-5B-WP9VA-x-S382
Jacky Chen	10/27/20		SCALE	1 : 1
APPROVED BY:	DATE	SHEET NO.	PART NO.	MRUSB-5B-WP9VA-x-S382
Tony Kao	10/27/20	1 of 2		

SIZE A4
VER R9

IPX7

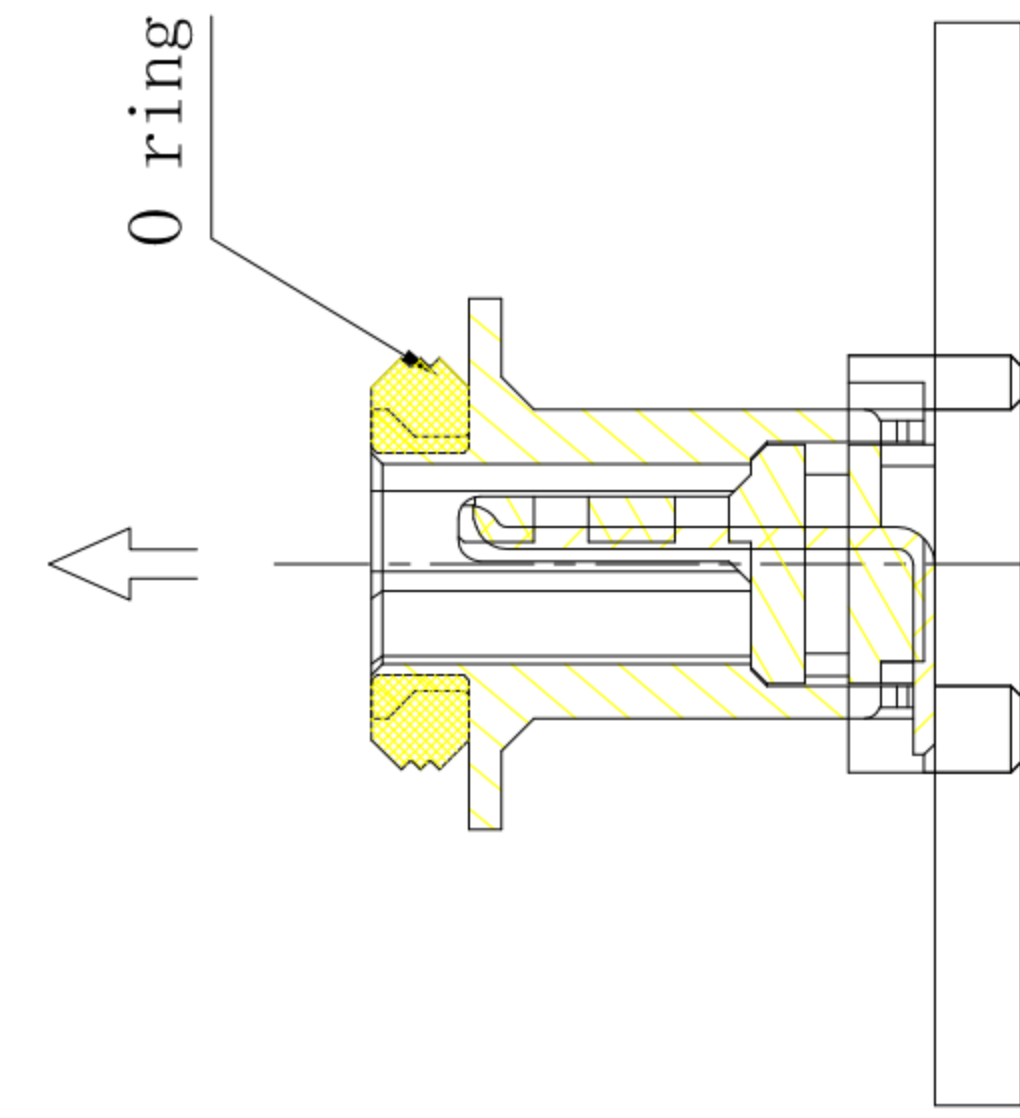
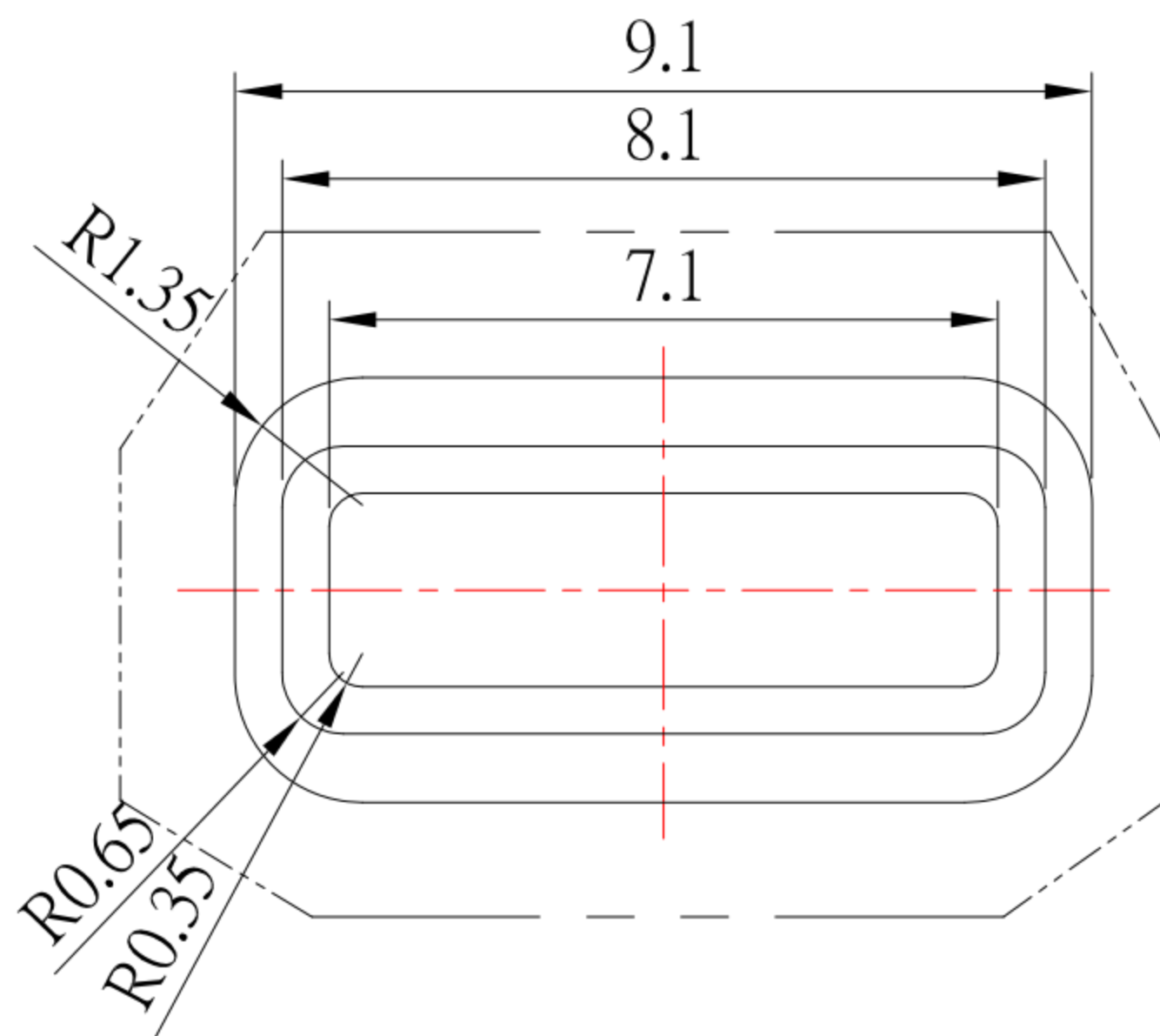
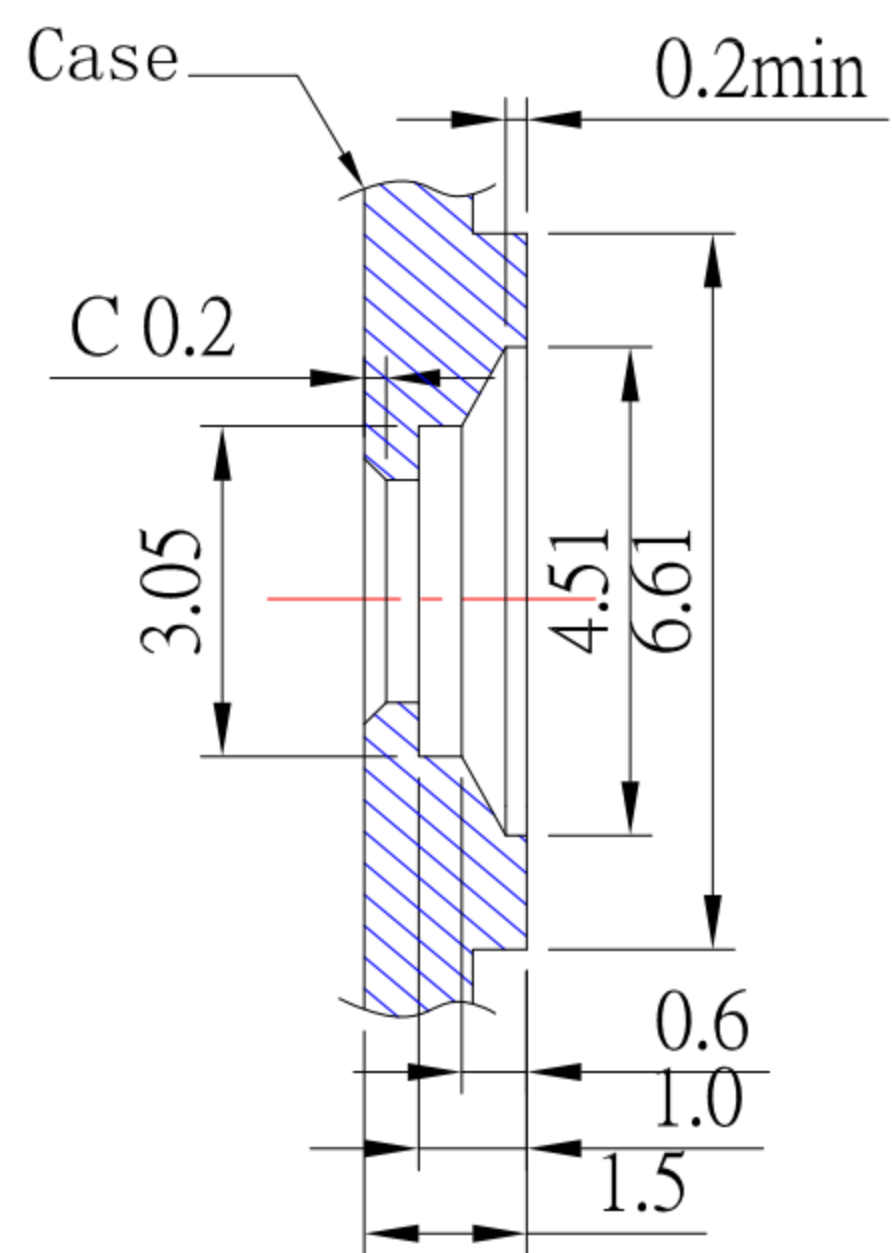
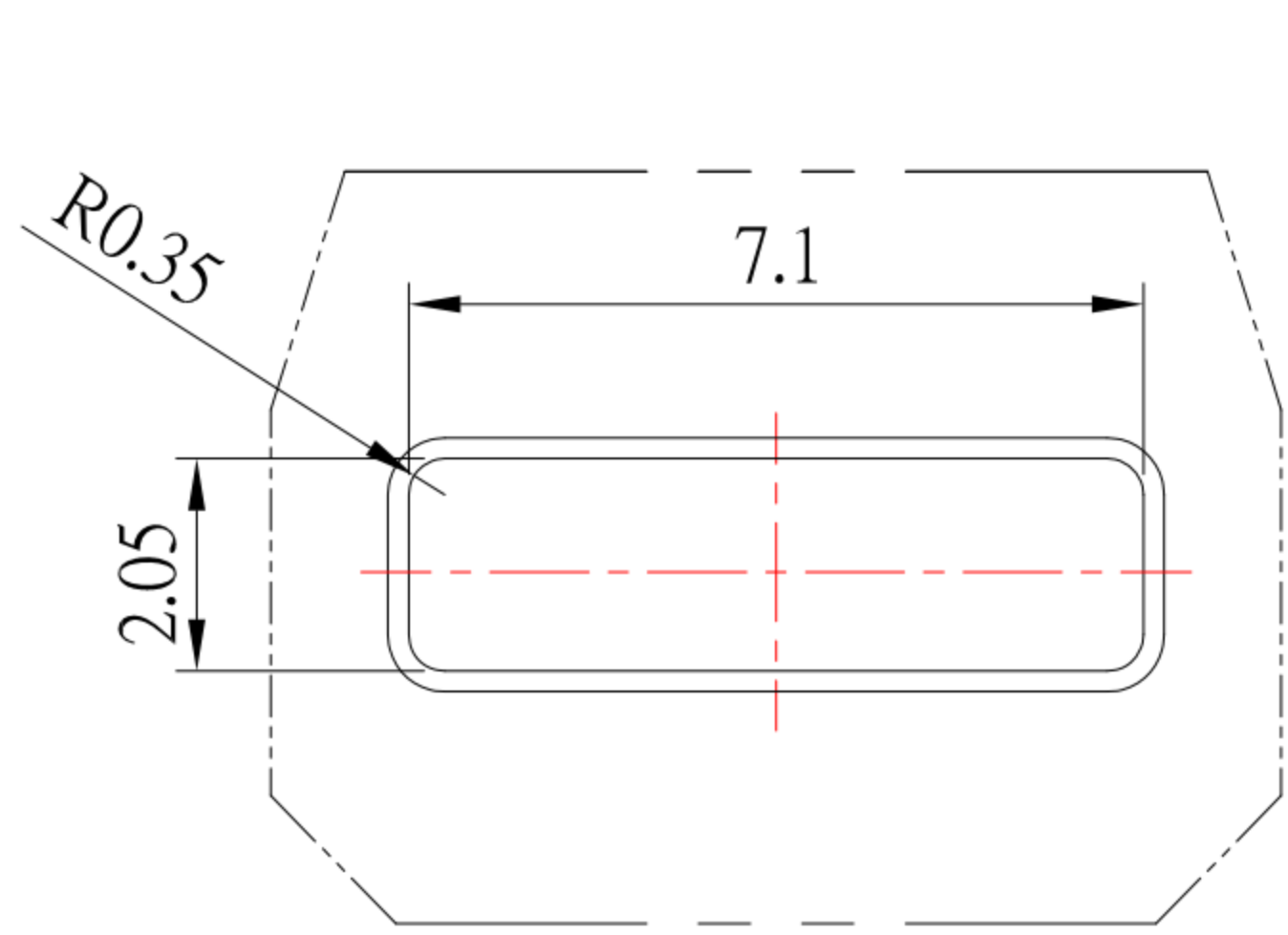


機殼面板對密封圈
與縮量0.40Min



COMPRESSION RATIO TO BE 40%-50%

機殼面板對密封圈與
縮量0.30Min
(建議壓縮量為密封圈
直徑大小40-50%)



RECOMMENDED OPEN DIMENSION OF CASE

9	更新料號	Jack	102720
8	更新樣式及尺寸	Jack	092820
7	更新圖面	Jack	111119
6	更新Rating	Jack	042319
5	新增ORING料號	Jack	032819
4	更新樣式	Jack	121218
3	更新PCB LAYOUT尺寸	Jack	061318
2	更新尺寸	Jack	061218
1	更新圖面	Jack	052318
ITEM NO.	DESCRIPTION	DRAWN	DATE

东莞市溪榜电子有限公司
DONG GUAN XI BANG ELECTRONICS CO., LTD

TOLERANCE UNLESS OTHERWISE STATED:
Up to 5 ±0.2
Above 5 ~ 15 ±0.3
Above 15 ~ 30 ±0.4
Above 30 ~ 50 ±0.5
Angle ±0.3°

3RD. ANGEL'S
UNITS MM

DRAWN BY:	DATE	MAT'L	TITLE	CONNECTOR
Jack Lu	10/27/20		MODLE	MICRO USB 5PF B TYPE 直立式 防水型 IPX7 (外殼腳1.15 X 0.4 X 0.75)
CHECKED BY:	DATE	FINISH	DWG NO.	MRUSB-5B-WP9V-x-S382
Jacky Chen	10/27/20		PART NO.	MRUSB-5B-WP9V-x-S382
APPROVED BY:	DATE	SCALE	SHEET NO.	1 of 2
Tony Kao	10/27/20	1 : 1		
				SIZE A4
				VER R9