



SUA-110M38x-x-S235

Shell Material :

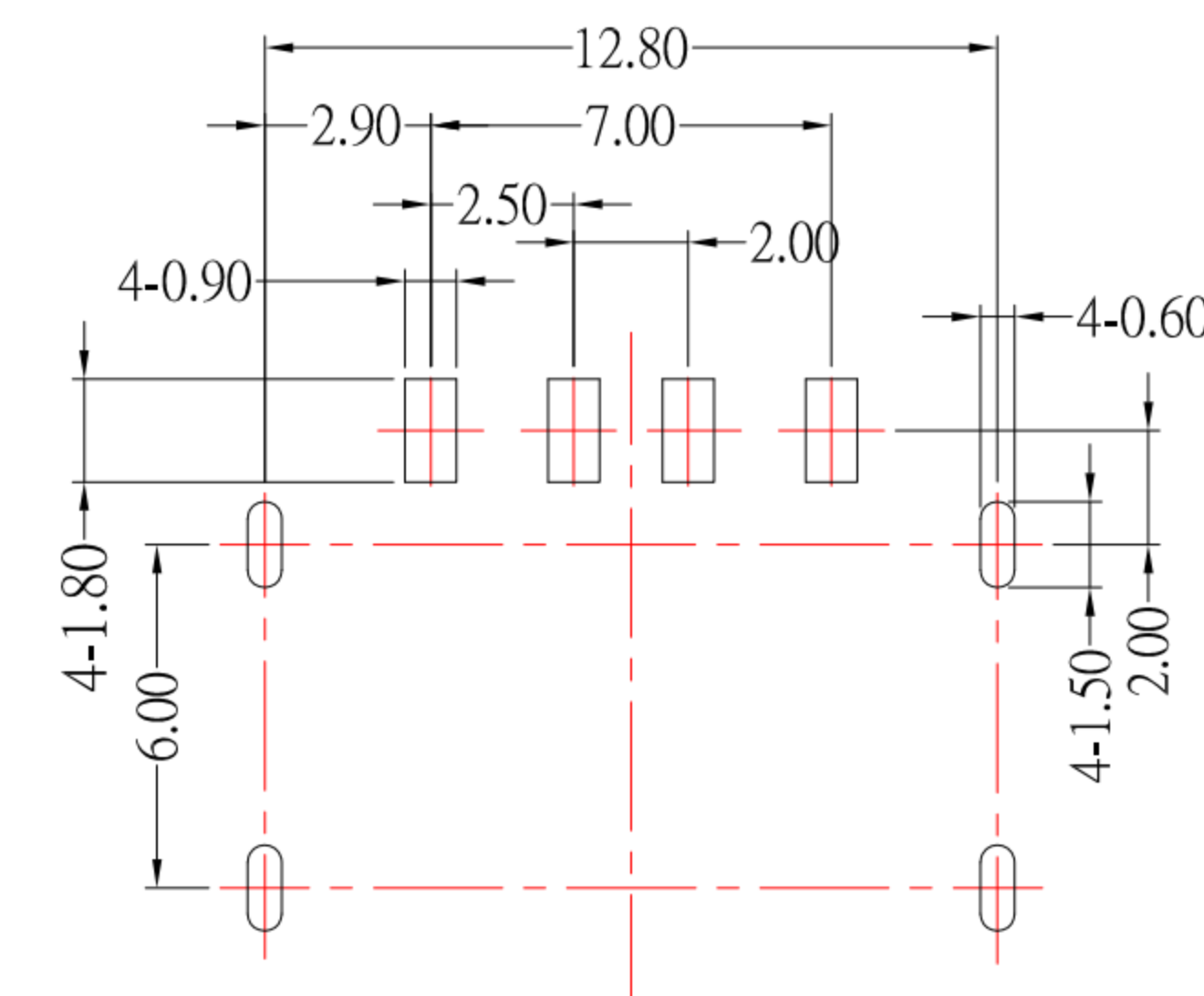
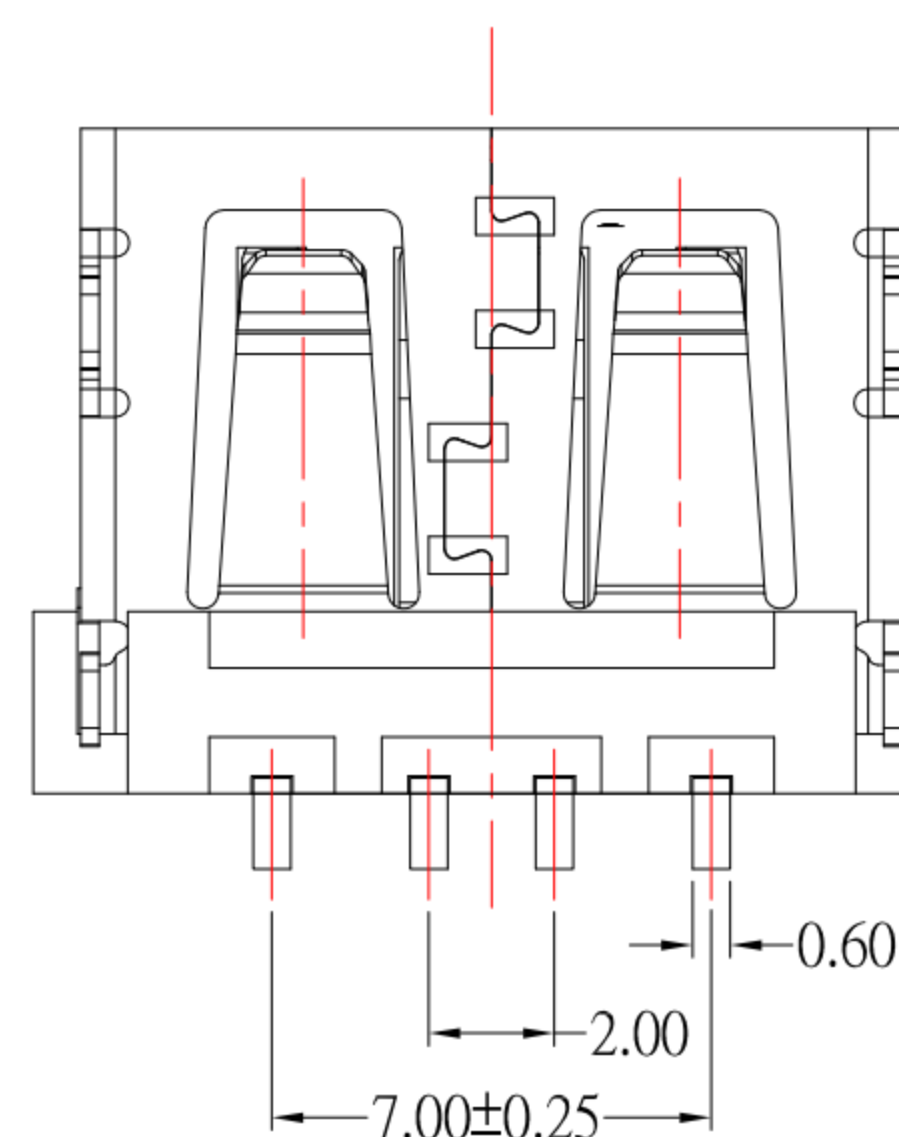
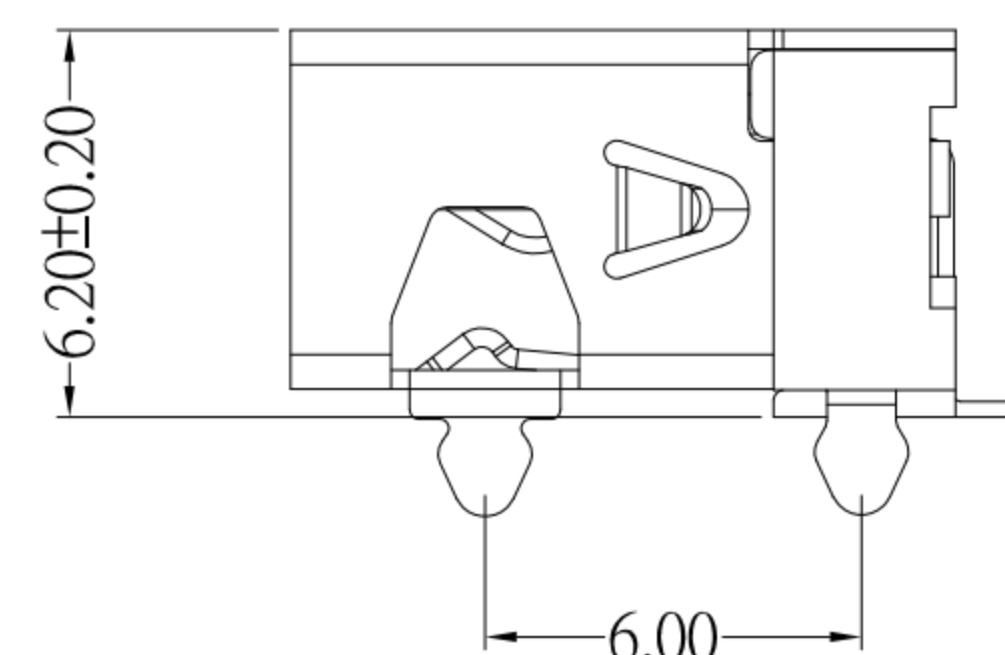
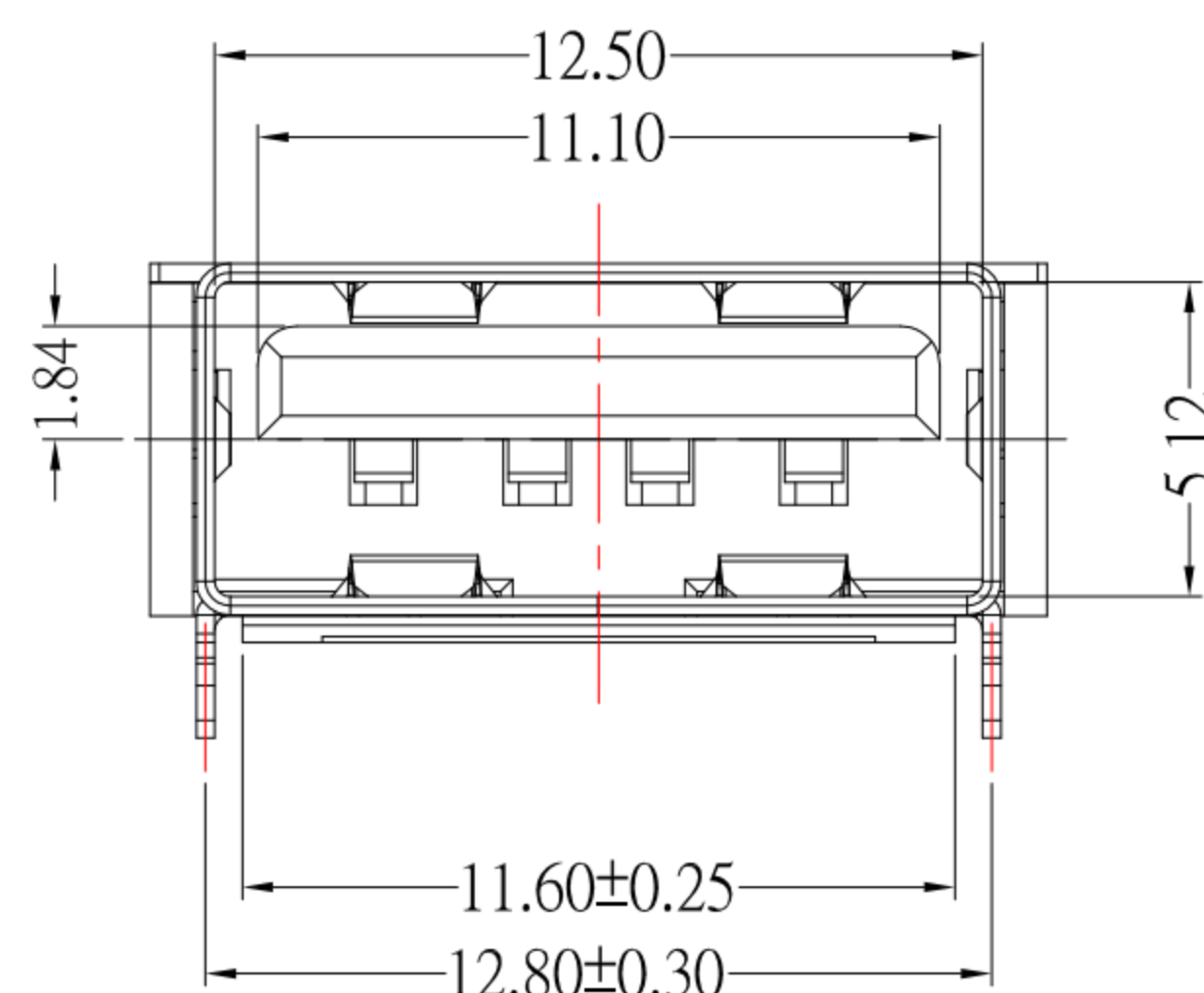
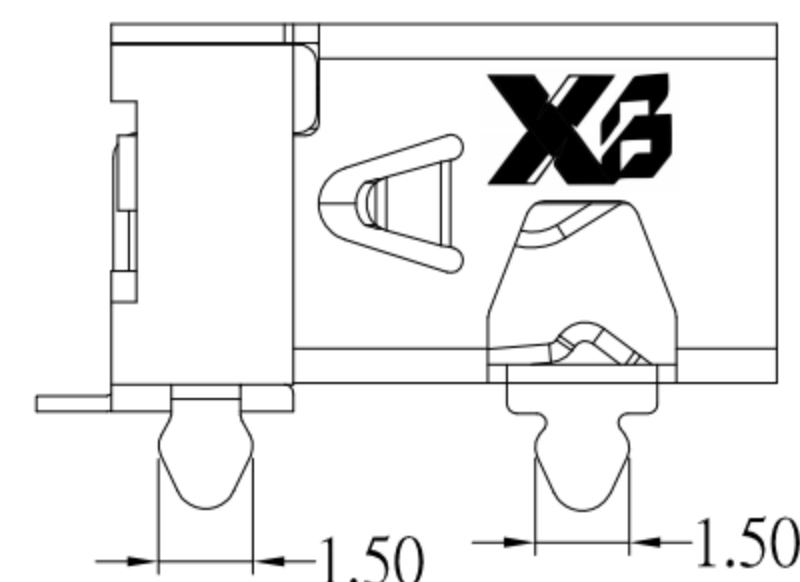
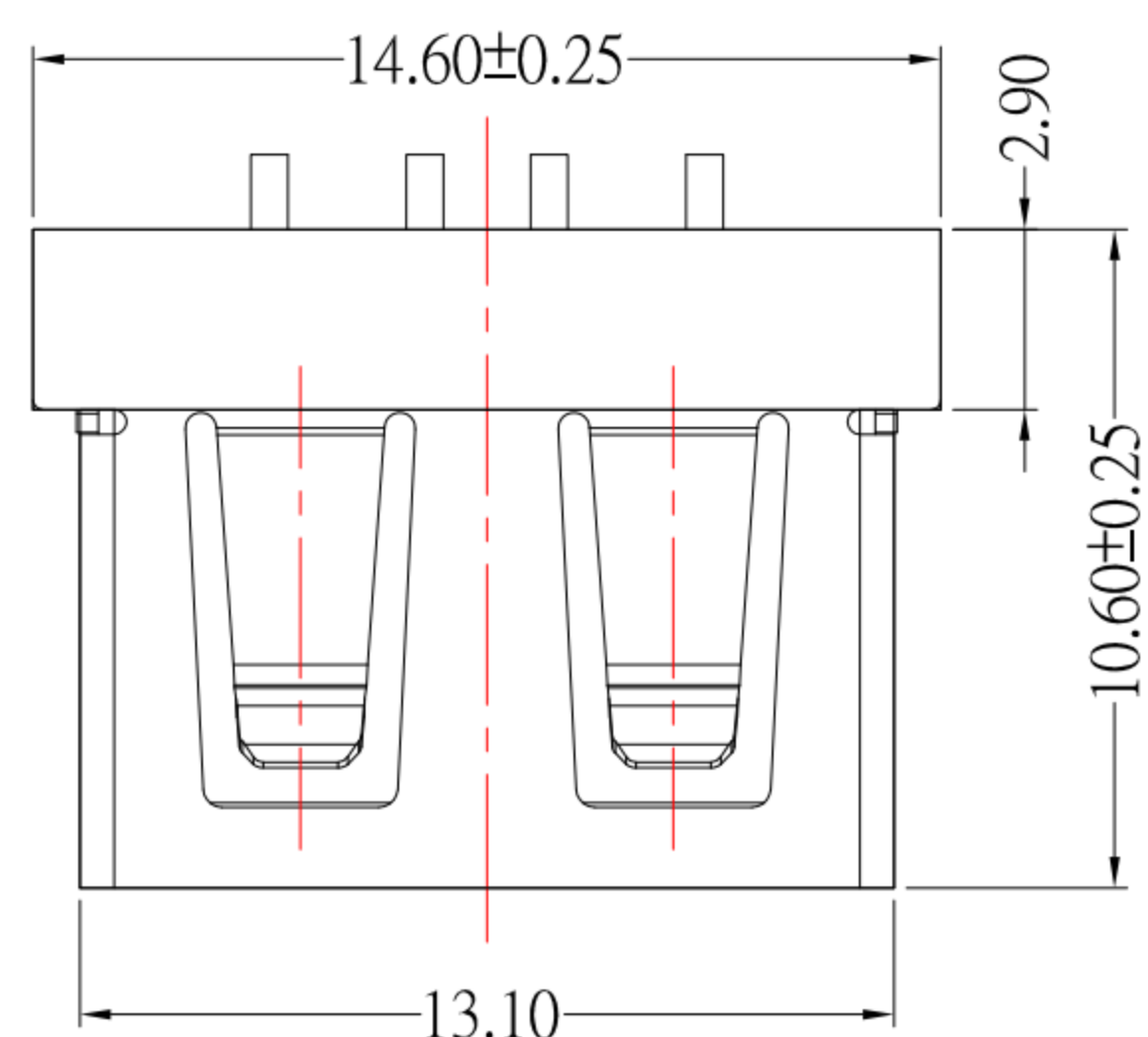
Blank : BRASS

I : SPCC

Color :

White : W

Black : B



RECOMMENDED PCB LAYOUT

SPECIFICATIONS

Electrical:

- 1.Contact Resistance: 30 mΩ Max
- 2.Insulation Resistance: 1,000 MΩ Min
- 3.Dielectric Withstanding Voltage: 500 V DC
- 4.Insertion Force: 30N Max
- 5.Extraction Force: 10N Min

Material:

- 1.Housing: LCP
- 2.Contact: Phosphor Bronze
- 3.Shell: Brass / SPCC

Finish:

- 1.Contact: Plated Gold in Mating Area ;
Tin Plated on Solder Balls ;
Nickel under plated overall
- 2.Shell: Nickel under Plated surface layer



TOLERANCE UNLESS OTHERWISE STATED :
 Up to 5 ±0.2
 Above 5 ~ 15 ±0.3
 Above 15 ~ 30 ±0.4
 Above 30 ~ 50 ±0.5
 Angle ±0.3°

3RD. ANGEL'S

UNITS MM

DRAWN BY:	DATE	MAT'L	TITLE	CONNECTOR
Jack Lu	07/12/18		MODLE	USB A/F 短體10.0 無捲邊 SMT , 四腳插板
CHECKED BY:	DATE	FINISH	DWG NO.	SUA-110M38x-x-S235
Jacky Chen	07/12/18		PART NO.	SUA-110M38x-x-S235
APPROVED BY:	DATE	SCALE	1 : 1	
Tony Kao	07/12/18	SHEET NO.	1 of 1	

1	更新圖面	Jack	071218
ITEM NO.	DESCRIPTION	DRAWN	DATE