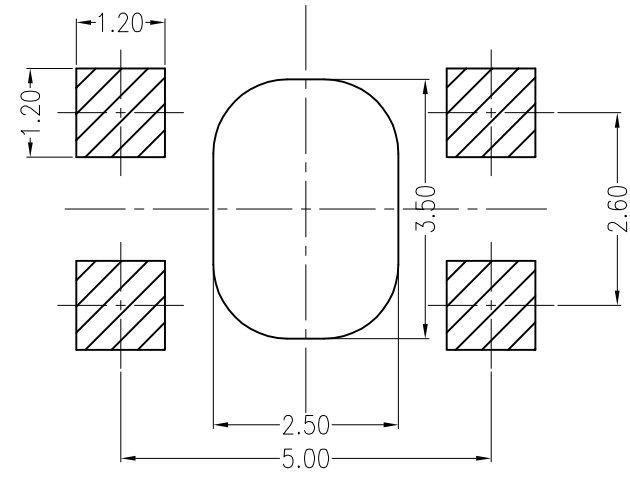
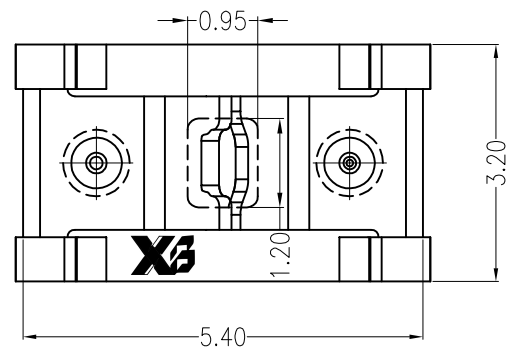
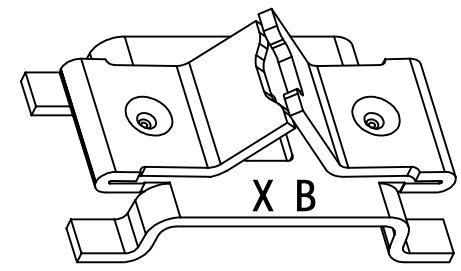
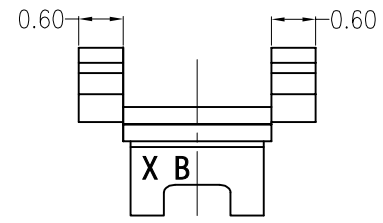
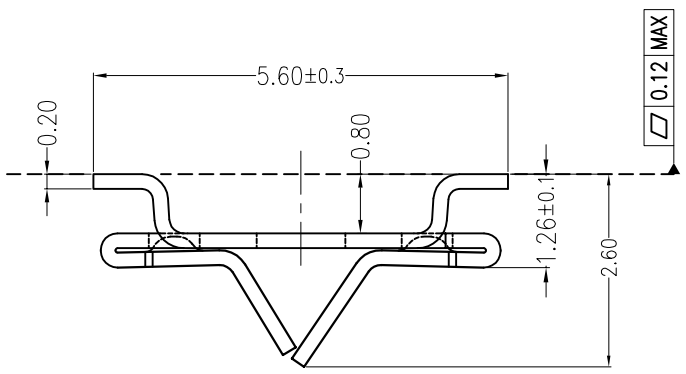


REV	ECN No.	DESCRIPTION	DESIGN	DATE
BO		Release	田峰	2017.08.31
-			-	-



SUGGESTED PCB LAYOUT

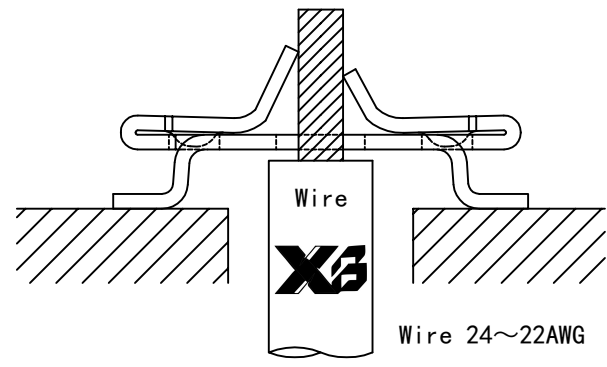
主要技术参数 Main Specifications

- 线数 (Poles): 01
- 接触电阻 (Contact resistance):  $\leq 20m\Omega$
- 额定电压 (Rated voltage): 250 V AC DC
- 额定电流 (Rated current): 1.0A AC DC
- 温度范围 (Temperature Range):  $-45^{\circ}C \sim +125^{\circ}C$

ORDER INFORMATION:

**XB-L068K-01-000B1-R**

PART No.		PACKAGING:	
No. FOR CIRCUITS:	01	R=REEL	
PLASTIC MATERIAL:	000=No plastic parts	P=PE	
		METAL CODE:	
		1=PHOSPHORBRONZE	
		PLATING:	
		B=MATTE Sn	



Assembly Layout

C				
B				
A	CONTACT	1 PCS	PhosphorBronze	MATTE Sn-plated
ITEM	COMPONENT	Q'TY	MATERIAL	FINISH
东莞市溪榜电子有限公司 Switch Connector DONG GUAN XI BANG ELECTRONICS CO., LTD		TITLE: -		
X.±0.5	X.±5'	USE:	PART NO.:	
.X±0.3	.X±2'	APPD:	L068K-01-000B1-R	
.XX±0.25	.XX±1'	CHKD:	DWG NO.:	
--	--	DR:	SCALE	SHEET
	UNITS: mm	吴丹平	1 : 1	1 / 1