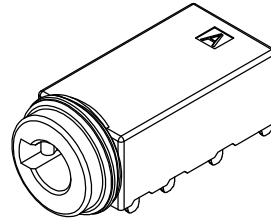
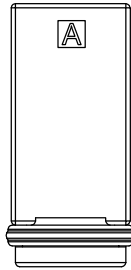
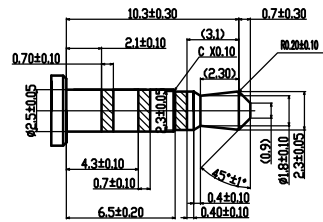
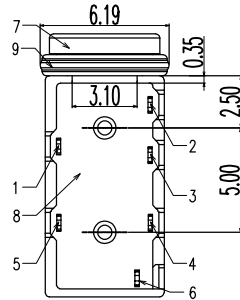
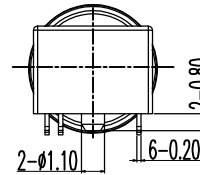
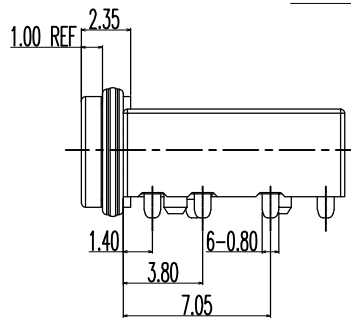
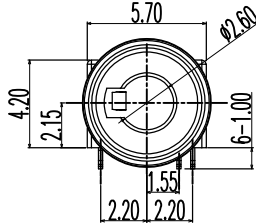
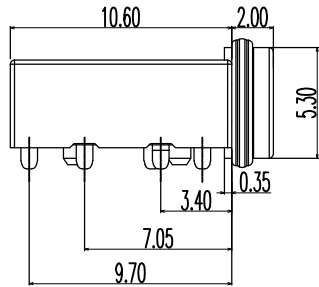


RoHS
Compliant

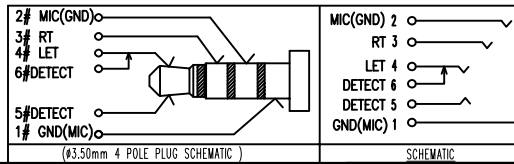
IPX7 防水



3D VIEW

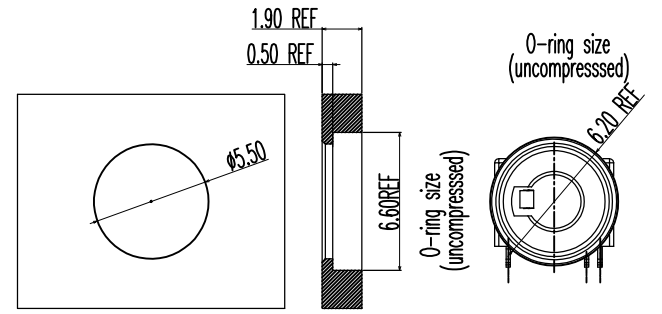


(ø2.50mm 4 POLE PLUG DETAIL DRAWING)

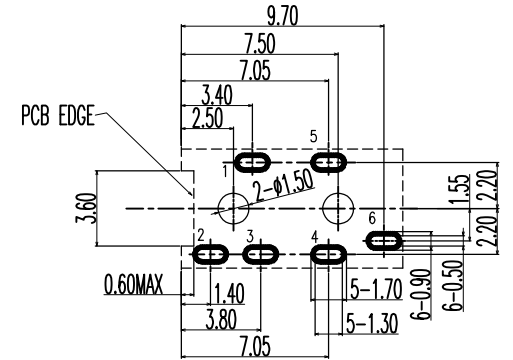


(ø3.50mm 4 POLE PLUG SCHEMATIC)

ZONE	SYMBOL	REVISION	APPROVAL	DATE
01	A	INITIAL	Chao	11/02/20'



面板开孔参考尺寸



RECOMMENDED P.C.B LAYOUT
TOP VIEW (TOLRANCE:±0.05)

- CONTACT CURRENT RATING: 1A.
- CONTACT RESISTANCE: 100 mΩ MAX.;
- INSULATION RESISTANCE: 100MΩ MIN.;
- DIELECTRIC WITHSTANDING: 500V AC MIN.;
- DURABILITY: 5,000 CYCLES MIN.;
- CONNECTOR MATING FORCES: 30N MAX.;
- CONNECTOR UNMATING FORCES: 3N MIN.;
- TERPROOF LEVEL: IP67;

NO.	PART NAME	QTY	DESCRIPTION	REMARK
9	SILICA GEL	1	SILICA GEL COLOR BLACK	
8	COVER	1	HIGH TEMPERATURE PLASTIC COLOR BLACK	
7	HOUSING	1	HIGH TEMPERATURE PLASTIC COLOR BLACK	
6	TERMINAL 6#	1	STAINLESS STEEL; NICKEL UNDER PLATING OVERALL; GOLD FLASH PLATING ON SOLDER AREA ;GOLD FLASH PLATING ON CONTACT AREA	T=0.20mm
5	TERMINAL 5#	1	STAINLESS STEEL; NICKEL UNDER PLATING OVERALL; GOLD FLASH PLATING ON SOLDER AREA ;GOLD FLASH PLATING ON CONTACT AREA	T=0.20mm
4	TERMINAL 4#	1	STAINLESS STEEL; NICKEL UNDER PLATING OVERALL; GOLD FLASH PLATING ON SOLDER AREA ;GOLD FLASH PLATING ON CONTACT AREA	T=0.20mm
3	TERMINAL 3#	1	PHOSPHOR BRONZE; NICKEL UNDER PLATING OVERALL; GOLD FLASH PLATING ON SOLDER AREA ;GOLD FLASH PLATING ON CONTACT AREA	T=0.20mm
2	TERMINAL 2#	1	PHOSPHOR BRONZE; NICKEL UNDER PLATING OVERALL; GOLD FLASH PLATING ON SOLDER AREA ;GOLD FLASH PLATING ON CONTACT AREA	T=0.20mm
1	TERMINAL 1#	1	STAINLESS STEEL; NICKEL UNDER PLATING OVERALL; GOLD FLASH PLATING ON SOLDER AREA ;GOLD FLASH PLATING ON CONTACT AREA	T=0.20mm

东莞市溪榜电子有限公司
DONG GUAN XI BANG ELECTRONICS CO., LTD.

PART NAME	2.5mm STEREO JACK	TOLERANCE UNLESS	0.0±0.2	UNIT:	mm
PART NO.	XB-20002-06DBAP-A	OTHERWISE SPECIFIED:	0.00±0.1 0.000±0.05		

DESIGN	Chao	DATE	2020. 11. 02	SCALE	5: 1
DRAWING	liao Y K	DATE	2020. 11. 02	MATERIAL	*
CHECK	Abel	DATE	2020. 11. 02	DWG. no.	
APPROVAL	Abel	DATE	2020. 11. 02	SHEET	