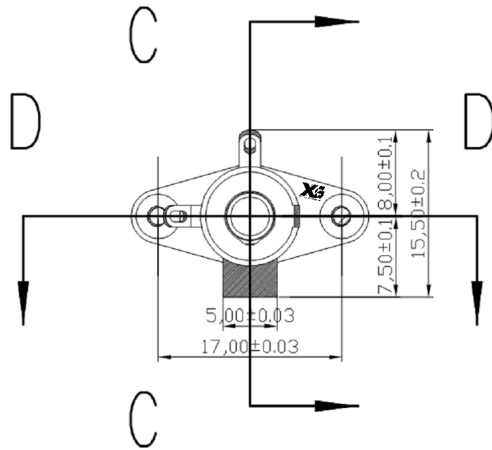
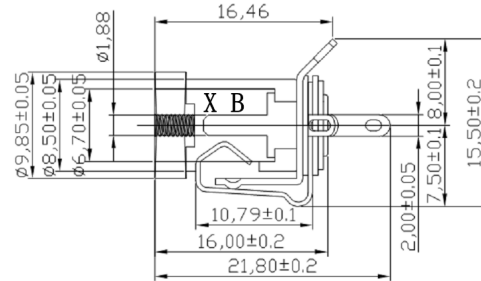




CAD FILE:

ROHS

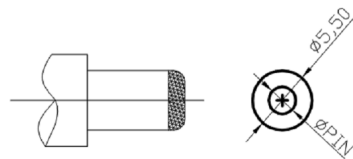
SECTION C-C



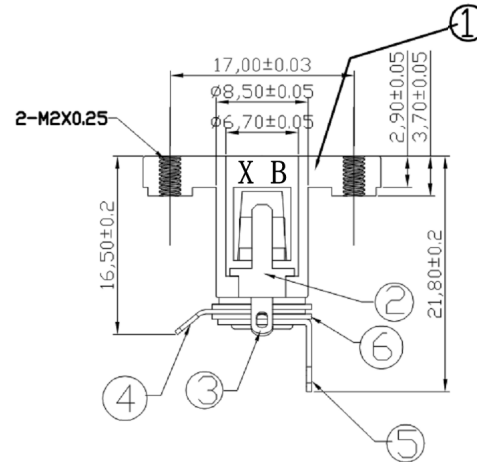
SCHEMATIC		1
		2
CENTER PIN		3
		Ø2.0mm
		Ø2.5mm

SCHEMATIC

SECTION D-D



DC PLUG



SPECIFICATION

1. Rating : DC 30V , 30A 50A
2. Contact resistance : $\leq 30m\Omega$
3. Insulation resistance : $\geq 100M\Omega$
4. Withstand voltage : 500VAC
5. Insertion and extraction force : 3-20N
6. life test : 5,000 cycles

NO.	PARTS	MATERIALS	Q'TY	FINISH	TOLERANCE UNLESS SPECIFIED	ISSUE	DATE	DESCRIPTIONS OF REVISION	APPD.	
8										
7										
6					WITHIN 1.5mm : $\pm 0.1mm$	A	2012-9-25	初版	ZENQ. CHEN	
5					OVER 1.5mm : $\pm 0.2mm$	ISSUE	DATE	DESCRIPTIONS OF REVISION	APPD.	
4	CONTACT	SUS	1	Ag CLAD	TITLE : DC Power Jack		UNIT : mm	DRWG NO.: XB-DC-018T		
3	CASE	PPA/BRASS SRTIP	1	BLACK/Ag PLATED	MODEL: XB-DC-018T		SCALE: 5:1	DWN.	JUN. YANG	2012-9-25
2	COVER	STEEL STRIP	1	Ni PLATED	DONG GUAN XI BANG ELECTRONICS CO., LTD.		CHK'D	DONG. PANG	2012-9-25	
1	KNOB	PPA	1	BLACK	DONG GUAN XI BANG ELECTRONICS CO., LTD.		APPD.	ZENQ. CHEN	2012-9-25	