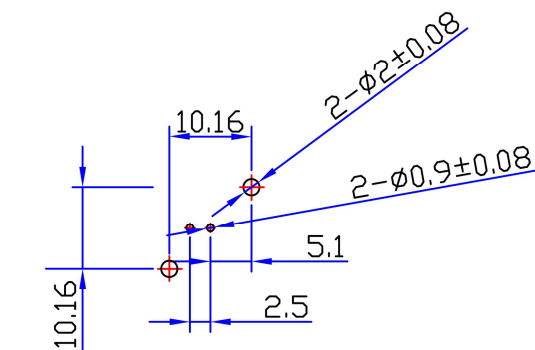
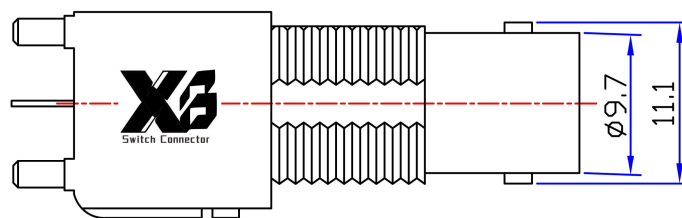
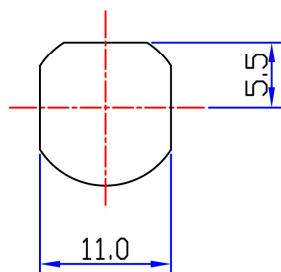
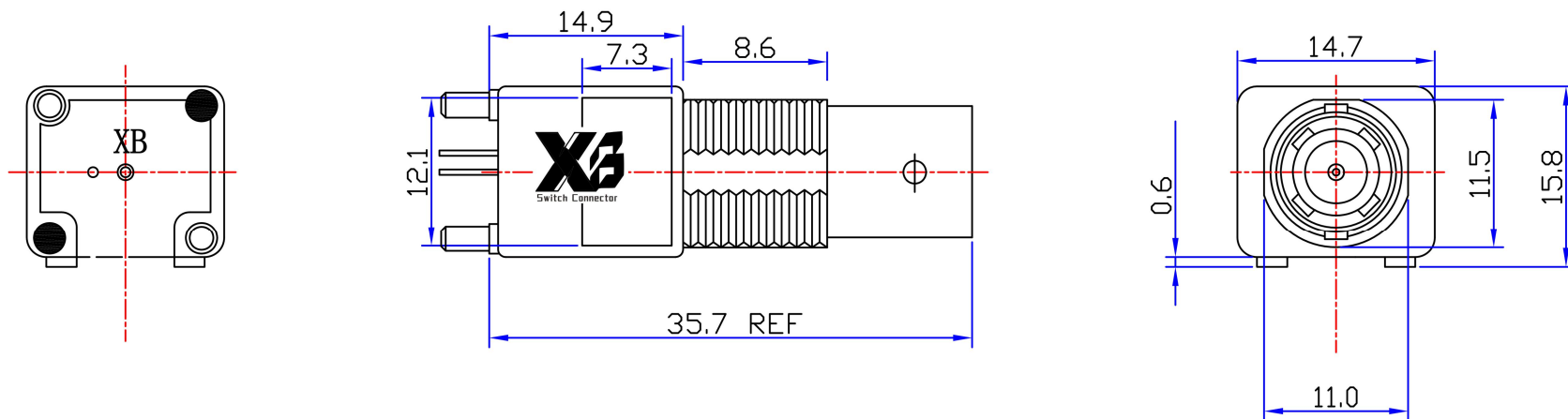




Product NO. XB-801-0036

REV	DESCRIPTION	DWN	DATE	APPROVEN
A	First issue	JIM	2012/11/02	John kine



PCB HOLE CONFIGURATION  
RECOMMENDED PANEL CUTOUTS

### Specifications

Impedance: 50 Ohms

Frequency Range: DC~3G

VSWR: 1.3MAX

Working Voltage: 500V rms @ sea level

Insulation Resistance: 5000 Ohms min

Temperature Range: -55°C TO +155°C

Relative Temperature:  $\leq 95\%$  ( $40^\circ\text{C} \pm 2^\circ\text{C}$ )

Drawings products are in line with ROHS standards

NOTE:

NO	DESCRIPTION	MATERIAL	FINISHED	QTY
E	GASKET	TE	NICKEL	1
D	NUT	BRASS	NICKEL	1
C	INSULATOR	POM	NONE	1
B	CONTACT PLATING	BRASS	GOLD	1
A	BODY	ZINC	NICKEL	1

DRAWN  
Zelin.Zhang  
2012/11/  
10

CHECKED

APPROVALS  
John Kine  
12/04.2012

Tolerance	View	UNIT	SCALE
0-6 $\pm 0.15$ 6-30 $\pm 0.20$ 30-120 $\pm 0.5$ Angular $\pm 2^\circ$		MM	1:1

**XB** 东莞市溪榜电子有限公司  
Switch Connector DONG GUAN XI BANG ELECTRONICS CO., LTD

Name:	BNC CONNECTOR DNN		
SIZE A	Product NO. XB-801-0036	REV B	
DateTime	2012/11/02	CAD FILE	D/company drawings/BD
		SHEET: 1 OF 1	