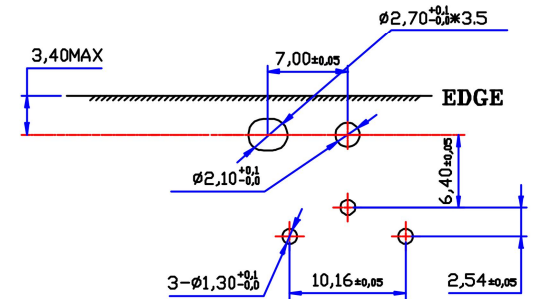
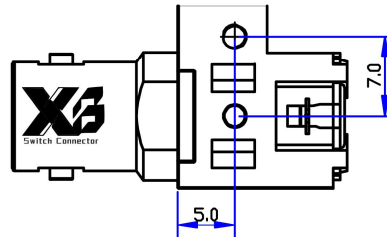
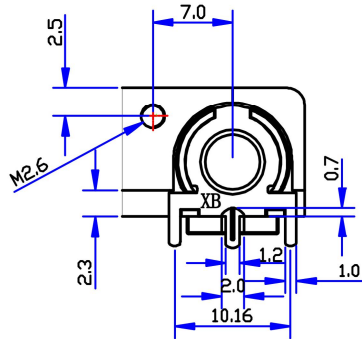
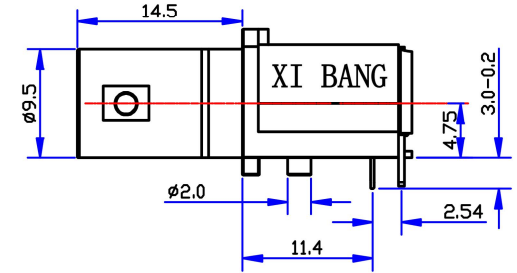
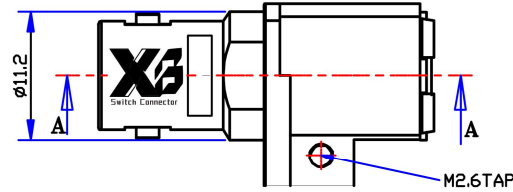
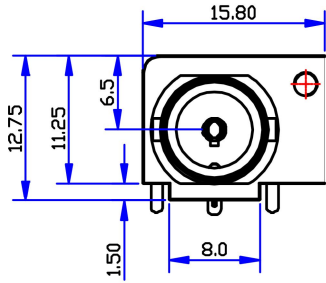




Product NO. XB-801-0373

REV	DESCRIPTION	DWN	DATE	APPROVEN
A	First issue	CHEN	2015/1/02	John kine



Specifications

Impedance:75 Ohms
 Frequency Range:DC~3G
 VSWR:1.3MAX
 Working Voltage:500V rms @ sea level
 Insulation Resistance:5000 Ohms min
 Temperature Range:-65°C TO +165°C
 Relative Temperature:≤95%(40° C±2° C)
 Drawings products are in line with ROHS standards

NOTE:

Tolerance	0-6 ±0.10 6-30 ±0.20 30-120 ±0.40 Angular ±2°
View	
UNIT	MM
SCALE	1:1

东莞市溪榜电子有限公司
 DONG GUAN XI BANG ELECTRONICS CO., LTD

Name: BNC CONNECTOR	
SIZE A	Product NO. XB-801-0373
DateTime	CAD FILE
2016/8/02	D/company drawings/BD
SHEET: 1 OF 1	

NO	DESCRIPTION	MATERIAL	FINISH	QTY
3	BODY	ZINC	GOLD	1
2	CONTACT PIN	Brass	GOLD	1
1	INSULATOR	TEFLON	White	1

DRAWN	2016/8/02
Zelin. CHEN	
CHECKED	
APPROVALS	
John Kine	09.8.2016