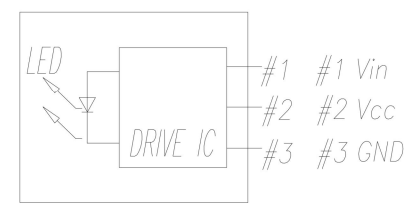
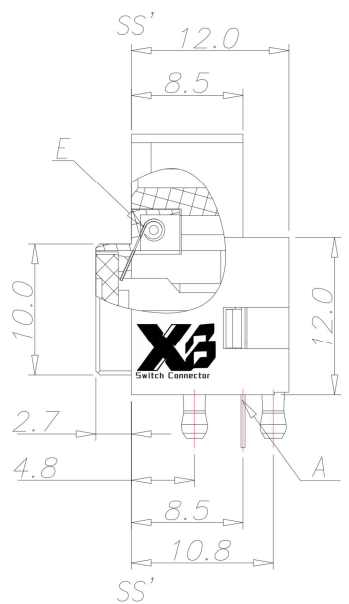
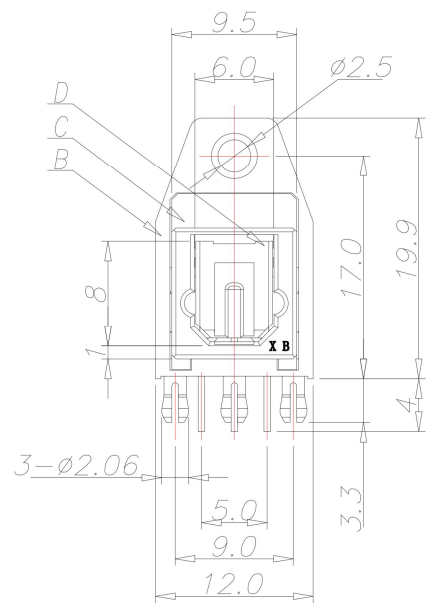


Recommend PCB Layout
(Jack Top View)



Internal equivalent circuit



SPECIFICATION

1. Voltage Rating: $V_{cc}=0.5\sim7V$, $V_{in}=-0.5\sim7.5V$
2. Current Rating: 10mA
3. Insertion Force: 2.5Kgf Max.
4. Extraction Force: 0.5Kgf Min.
5. Life test: 1,500 cycles
6. Temperature Range: $-20\text{ }^{\circ}\text{C}\sim70\text{ }^{\circ}\text{C}$

| E | Coil Spring | 1 | STEEL | |
|-----|-------------|------|-----------------------|-----------------|
| D | Shutter | 1 | PBT,UL94 V-0 | Black |
| C | Case | 1 | PBT,UL94 V-0 | Black |
| B | Housing | 1 | PBT,UL94 V-0 | Black |
| A | DRIVE IC | 1 | 16Mbps(DRIVE IC SPEC) | |
| NO. | PART NAME | Q'TY | DESCRIPTION | PLATING & COLOR |

X3 东莞市溪榜电子有限公司
DONG GUAN XI BANG ELECTRONICS CO., LTD.

TOLERANCE UNLESS OTHERWISE STATED:
Up to 5 ±0.2
Above 5 ~ 15 ±0.3
Above 15 ~ 30 ±0.4
Above 30 ~ 50 ±0.5
Angle ±0.3°

3RD. ANGEL'S

UNITS MM

| | | | | |
|--------------|----------|-----------|----------|---------------------|
| DRAWN BY: | DATE | MAT'L | TITLE | JACK |
| Jack Lu | 07/01/16 | | MODLE | OPTICAL JACK(發射端) |
| CHECKED BY: | DATE | FINISH | SCALE | 1 : 1 |
| Jacky Chen | 07/01/16 | | DWG NO. | OJ-B5018A-03DB-S214 |
| APPROVED BY: | DATE | SHEET NO. | PART NO. | OJ-B5018A-03DB-S214 |
| Tony Kao | 07/01/16 | 1 of 1 | | |

| 1 | 更新料號 | Jack | 070116 |
|----------|-------------|-------|--------|
| ITEM NO. | DESCRIPTION | DRAWN | DATE |