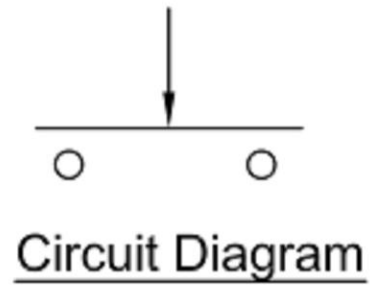
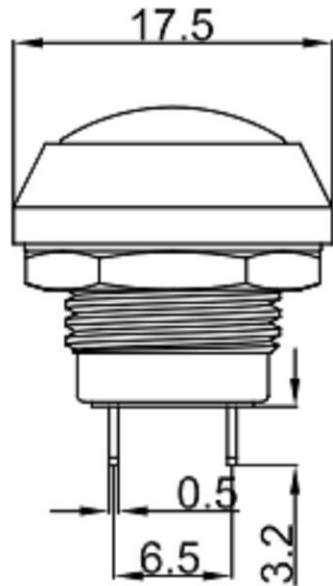
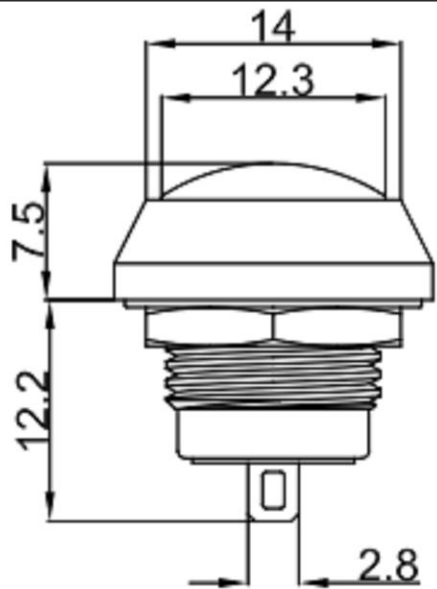
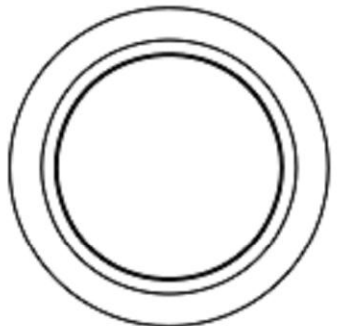


ROHS



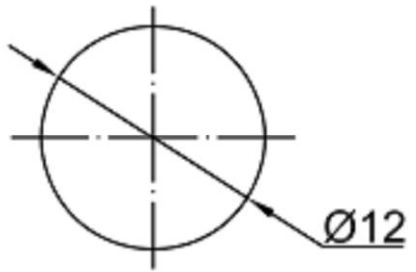
Circuit:SPST
 Current rating:2A
 Voltage rating:36VDC
 Dielectric withstanding voltage : 1000VAC for 1 minute
 Contact resistance:50mΩ Max
 Insulation resistance:100MΩ Min
 Travel:2.0mm±0.4mm
 Operating Force:400+150gf
 Mechanical life:1,000,000 cycles
 Min Electric life:100,000 cycles Min
 Manual Welding:350° C for 3 seconds
 Function:Momentary
 Operating temperature:-20° C~+70° C
 Level of protection:IP65



CUT-OUT



PANEL MOUNTING



MATERIAL:
 Base: SUS;
 Cap: SUS ;
 Terminal: Copper, Golden plated ;
 Nut: Brass, Ni plated .

The material contained in this drawing is the property of XiBang. Any use other than that specifically authorized by XiBang is prohibited. The above drawing IS subjected to change for improvement without prior notice.



东莞市溪榜电子有限公司
DONG GUAN XI BANG ELECTRONICS CO., LTD

TITLE : METAL PUS BUTTON SWITCH
 MODEL : XB-PBM12-11M-RU-NNN-A6-S



TOLERANCE
 <=1.5mm±0.1
 > 1.5mm±0.2
 >=10mm±0.3

ANGLE
 ±2°

UNIT : MM	DWN.	ZENQ. CHEN	DATE	
SCALE : 3 : 1	CHK'D	PENG. GAO	DATE	
VBRSION	01	APPD.	FEI. LONG. HE	DATE

7	SPRING	STEEL WIRE	1	NATURE
6	STEEL BALL	STEEL	1	NATURE
5	BOARD	PHENOLIC RESIN	1	NATURE
4	CONTACT CLIP	PBS STRIP	2	Ag PLATED
3	FRAME	IRON STRIP	1	Ni PLATED
2	TERMINAL	BRASS STRIP	8	Ag PLATED
1	KNOB	POM	1	BLACK
NO.	PART NAME	MATERIAL	QTY.	FINISHING