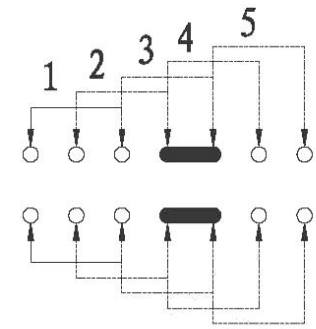
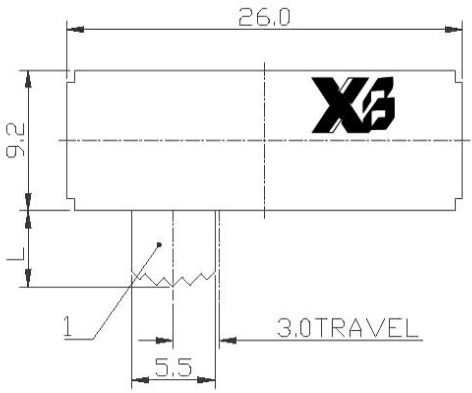
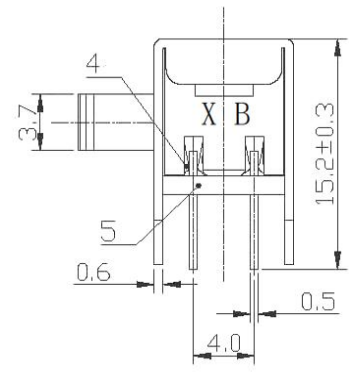
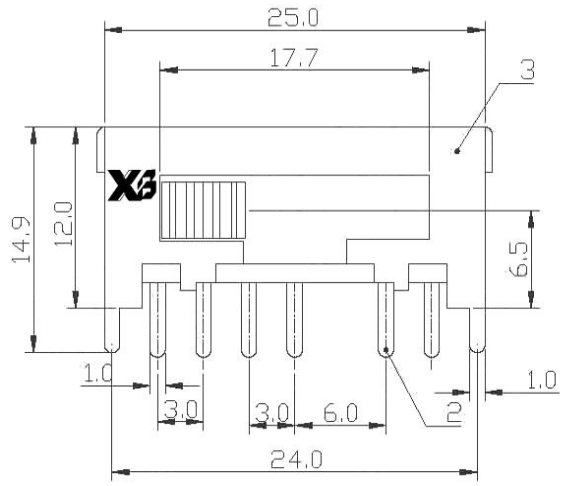


ROHS



SCHEMATIC



L=2-15



东莞市溪榜电子有限公司
DONG GUAN XI BANG ELECTRONICS CO.,LTD

TITLE : HORIZONTAL SLIDE SWITCH
MODEL : SK25F02 (W025)



UNIT : MM	DWN.	DATE
SCALE : 2 : 1	CHK'D	DATE
VERSION : 01	APPD.	DATE

TOLERANCE
<=5mm ±0.1
> 5mm ±0.2
>=10mm ±0.3

ANGLE TOL
±2°

NO.	PART NAME	MATERIAL	QTY.	FINISHING
7	STEEL BALL	STEEL	1	NATURE
6	SPRING	STEEL WIRE	1	NATURE
5	BOARD	PHENOLIC RBSIN	1	NATURE
4	CONTACT CLIP	PBS STRIP	2	Ag PLATED
3	FRAME	IRON STRIP	1	Ni PLATED
2	TERMINAL	BRASS STRIP	12	Ag PLATED
1	KNOB	POM	1	BLACK