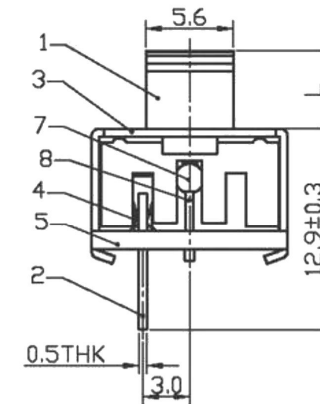
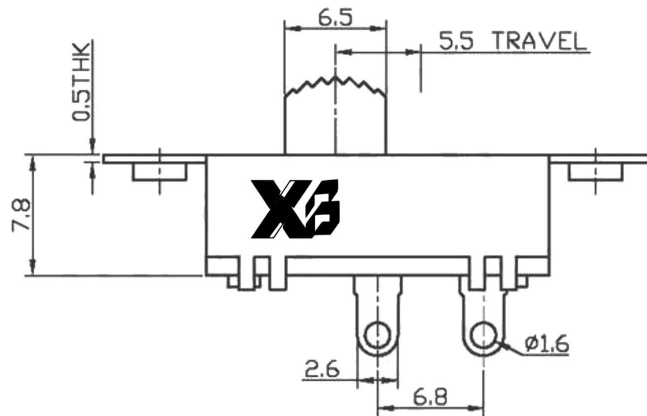
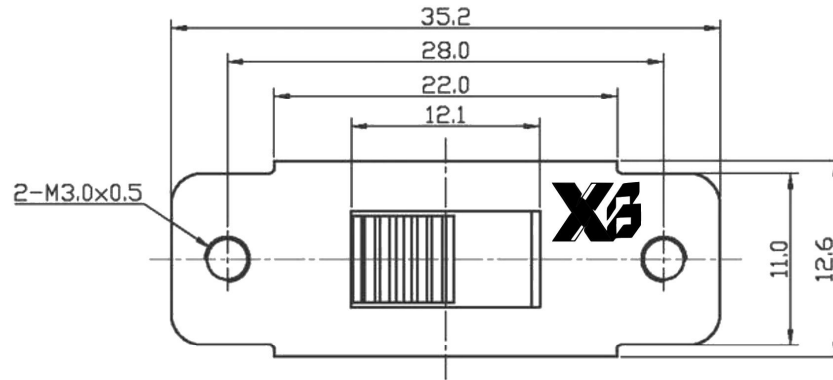
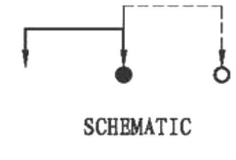


ROHS



L=2-15



东莞市溪榜电子有限公司
DONG GUAN XI BANG ELECTRONICS CO., LTD

TITLE : VERTICAL SLIDE SWITCH
MODEL : SS12K29-GDY (W01009)



UNIT : MM	DWN.	DATE	TOLERANCE <=1.5mm ±0.1 > 1.5mm ±0.2 >=10.0mm ±0.3
SCALE : 2.5 : 1	CHK'D	DATE	ANGLE TOL ±2°
VERSION 01	APPD.	DATE	

NO.	PART NAME	MATERIAL	QTY	FINISHING
8	POSITION PLATE	IRON STRIP	1	Ni PLATED
7	STEEL BALL	STEEL	1	NATURE
6	SPRING	STEEL STRIP	1	NATURE
5	BOARD	PHENOLIC RESIN	1	BLACK
4	CONTACT CLIP	PBS STRIP	1	Ag PLATED
3	FRAME	IRON STRIP	1	Ni PLATED
2	TERMINAL	BRASS STRIP	2	Ag PLATED
1	KNOB	PC	1	BLACK