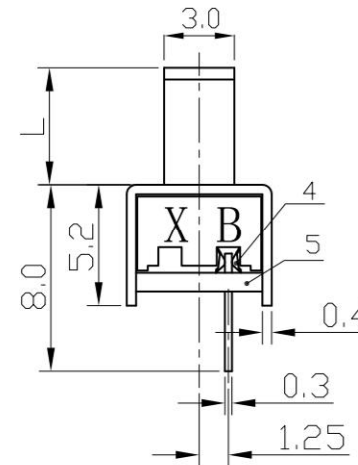
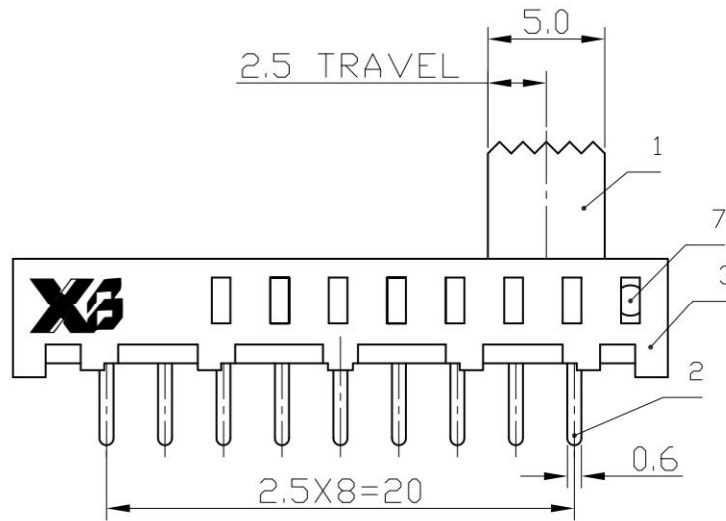
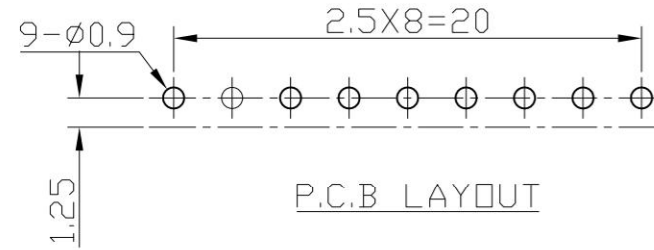
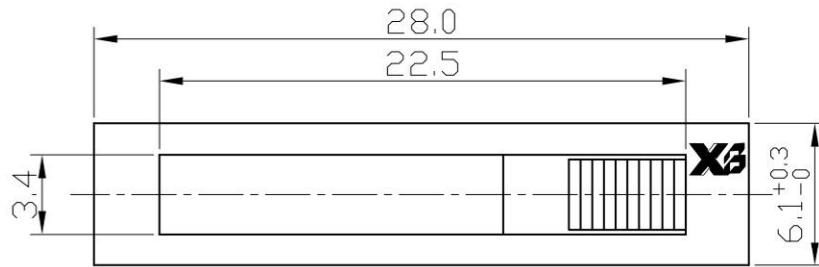
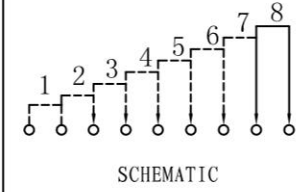


ROHS

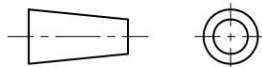


L=2-15



东莞市溪榜电子有限公司
DONG GUAN XI BANG ELECTRONICS CO.,LTD

TITLE : VERTICAL SLIDE SWITCH
MODEL : SS18E07-GEA



TOLERANCE
$\le -1.5\text{mm} \pm 0.1$
> $1.5\text{mm} \pm 0.2$
> $10\text{mm} \pm 0.3$

ANGLE TOL
 $\pm 2^\circ$

NO.	PART NAME	MATERIAL	QTY	FINISHING
7	STEEL BALL	STEEL	2	NATURE
6	SPRING	SUS	1	NATURE
5	BOARD	PHENOLIC RESIN	1	NATURE
4	CONTACT CLIP	PBS STRIP	1	Ag CLAD
3	FRAME	IRON STRIP	1	Ni PLATED
2	TERMINAL	BRASS STRIP	9	Ag PLATED
1	KNOB	POM	1	BLACK

UNIT	MM	DWN.	DATE
SCALE	3 : 1	CHK'D	DATE
VERSION	01	APPD.	DATE