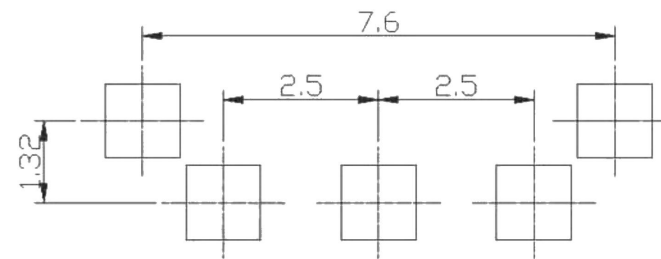
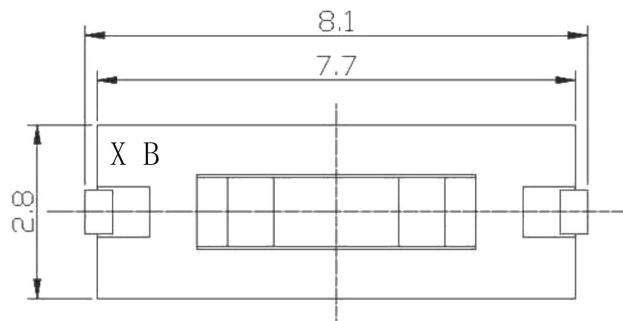
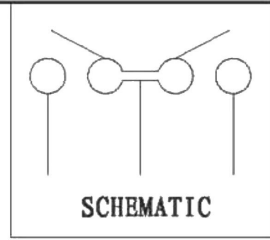
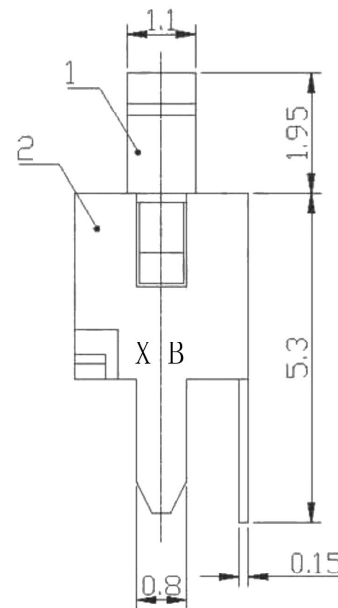
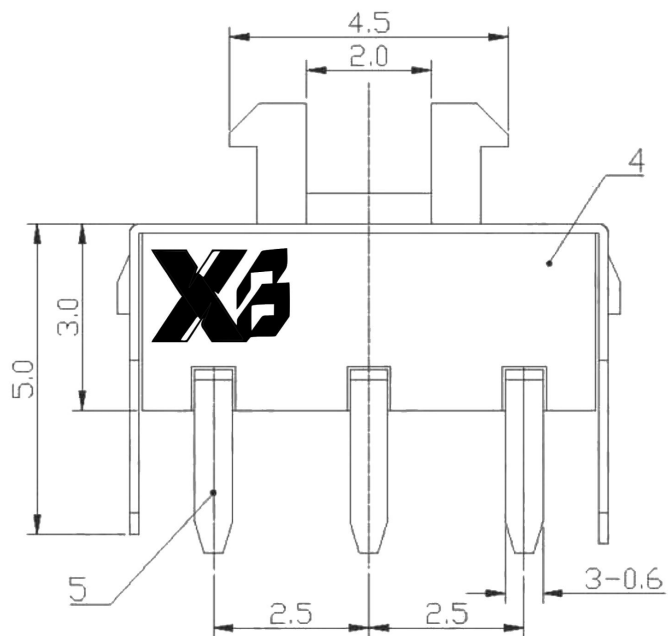


ROHS



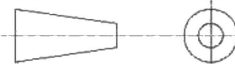
P. C. B LAYOUT



东莞市溪榜电子有限公司
DONG GUAN XI BANG ELECTRONICS CO.,LTD

TITLE : MINI SLIDE SWITCH

MODEL : MSS12A01 (W271)



TOLBRANCE
 <=1.5mm ±0.1
 > 1.5mm ±0.2
 >=10mm ±0.3

ANGLE TOL
 ±2°

UNIT : MM	DWN.	DATE
SCALE : 8 : 1	CHK'D	DATB
VERSION 01	APPD.	DATE

NO.	PART NAME	MATERIAL	QTY	FINISHING
6	CONTACT	SUS	2	Ag PLATED
5	TERMINAL	BRASS STRIP	3	Ag PLATED
4	CASE	NYLON	1	BLACK
3	RUBBER PAD	RUBBER	1	WHITE
2	COVER	SUS	1	Ag PLATED
1	KNOB	NYLON	1	BLACK
NO.	PART NAME	MATERIAL	QTY	FINISHING