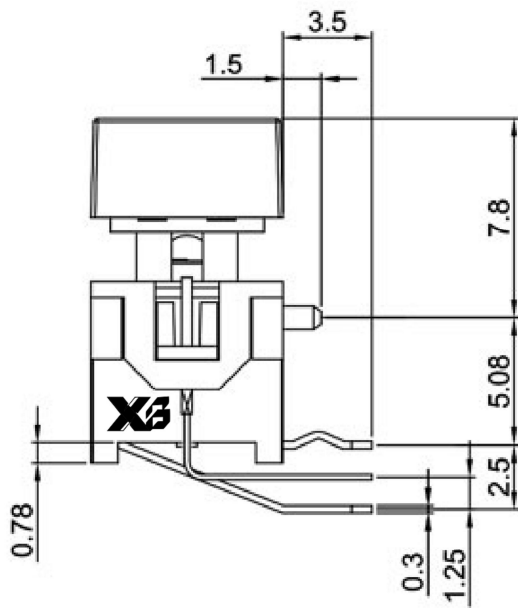
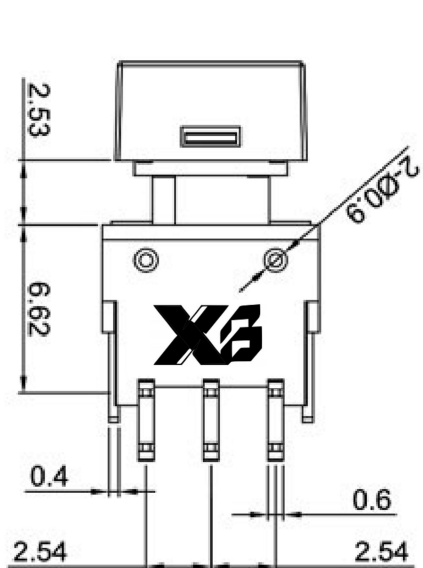
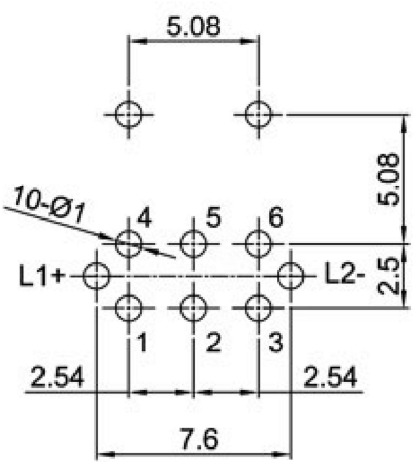


CAD FILE:

ROHS

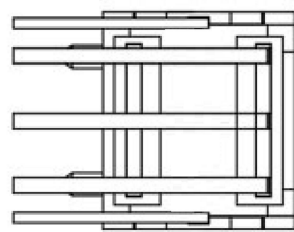
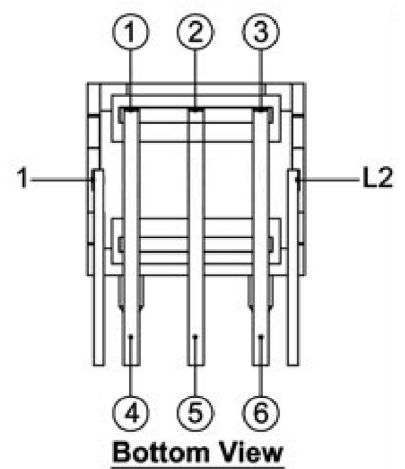
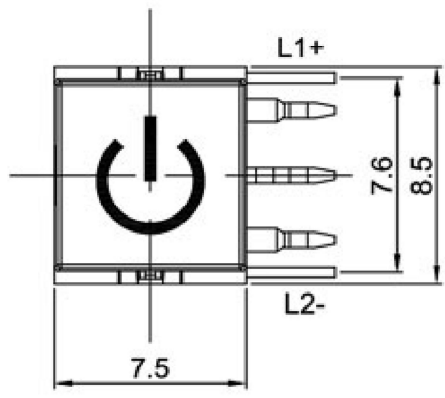


P.C.B. LAYOUT



RG	Red	红色
	Green	翠绿色
G	Green	绿色
W	White	白色
U	Blue	蓝色
Y	Yellow	黄色
O	Orange	橙色
R	Red	红色
灯发光颜色 X Emitted color X		

CIRCUIT



Type	Switch Action		Circuit
	Normal ON	Push to lock ON	
Lock	Normal ON	Push to lock ON	
Connected Terminals	1 - 2 4 - 5	2 - 3 5 - 6	
No Lock	Normal ON	Push to lock ON	
Connected Terminals	1 - 2 4 - 5	2 - 3 5 - 6	
LED Circuit			

8									
7									
6									
5									
4	CONTACT	SUS	1	Ag CLAD					
3	CASE	PPA/BRASS SRTIP	1	BLACK/Ag PLATED					
2	COVER	STEEL STRIP	1	Ni PLATED					
1	KNOB	PPA	1	BLACK					
NO.	PARTS	MATERIALS	Q'TY	FINISH					

TOLERANCE UNLESS SPECIFIED

WITHIN 1.5mm : ±0.1mm A 2012-9-25 初版 ZENQ. CHEN

OVER 1.5mm : ±0.2mm ISSUE DATE DESCRIPTIONS OF REVISION APPD.

TITLE : Button Switch With Light UNIT : mm DRWG NO.: XB-LED-TB-018C

MODEL: XB-LED-TB-018C SCALE: 5:1 DWN. JUN. YANG 2012-9-25

东莞市溪榜电子有限公司 CHK'D DONG. PANG 2012-9-25

DONG GUAN XI BANG ELECTRONICS CO., LTD. APPD. ZENQ. CHEN 2012-9-25

