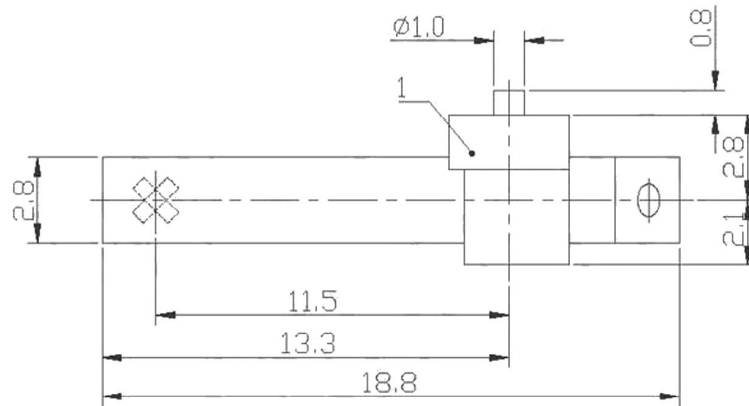
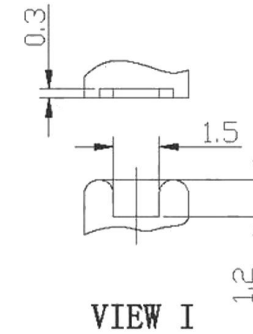
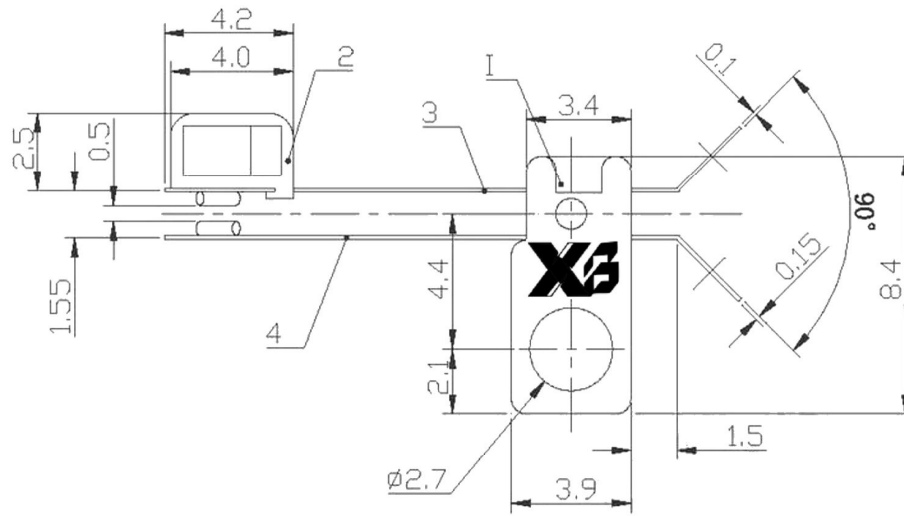


ROHS



SCHEMATIC



The material contained in this drawing is the property of XiBang. Any use other than that specifically authorized by XiBang is prohibited. The above drawing is subjected to change for improvement without prior notice.

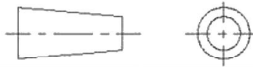
Product material

1. Blade switch
2. Base: POM/PA66
3. Terminal: Phosphorus copper
4. Contact point: Purple copper
5. Electroplating: Silver/Gold Plating
6. Temperature range for use: $-10\text{ }^{\circ}\text{C} \pm 60\text{ }^{\circ}\text{C}$
7. Current and voltage: 0.5A 12V DC
8. Operating force: $30\text{GF} \pm 10\text{GF}$
9. Voltage withstand: 500V 0.5mA/min
10. Insulation resistance: $100\text{M } \Omega$
11. Contact resistance: $30\text{M } \Omega$
12. Lifetime: 50000 times



东莞市溪榜电子有限公司
DONG GUAN XI BANG ELECTRONICS CO., LTD

TITLE : LEAF SWITCH
MODBL : LF-021 (W027)



UNIT : MM	DWN.	DATE	TOLERANCE	ANGLE TOL
SCALE : 4 : 1	CHK'D	DATE	$\leq 1.5\text{mm} \pm 0.1$	$\pm 2^{\circ}$
VERSION 01	APPD.	DATE	$> 1.5\text{mm} \pm 0.2$	

NO.	PART NAME	MATERIAL	QTY.	FINISHING
4	CONTACT POINT	PBS	2	Ag PLATED
3	TERMINAL	PBS STRIP	2	Ag PLATED
2	COVER	POM	1	BLACK
1	BASE	POM	1	BLACK