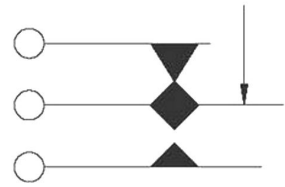
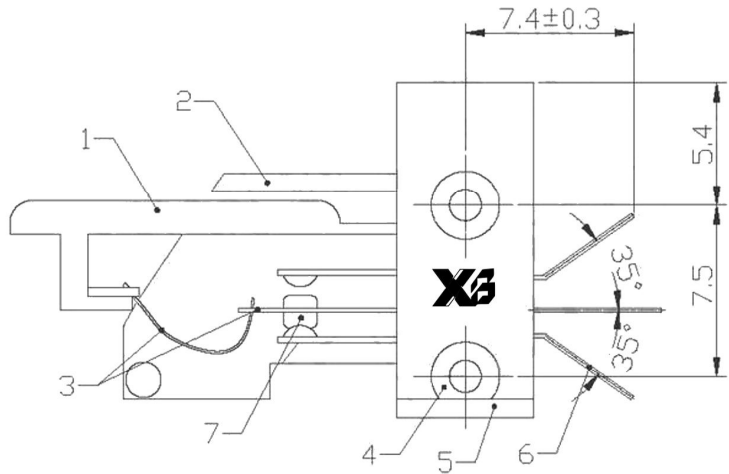
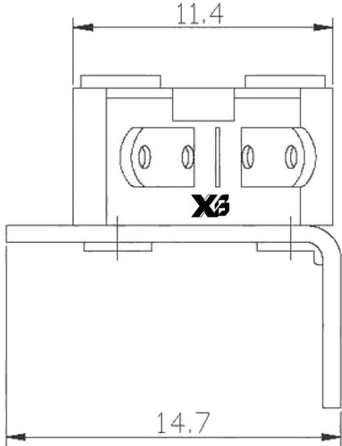
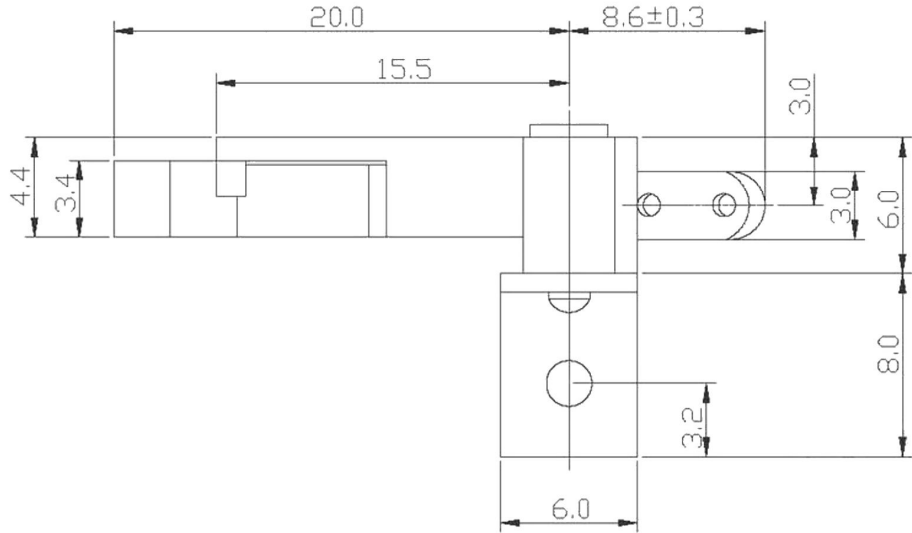


ROHS



SCHEMATIC



Product material

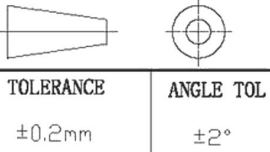
- 1. Blade switch
- 2. Base: POM/PA66
- 3. Terminal: Phosphorus copper
- 4. Contact point: Purple copper
- 5. Electroplating: Silver/Gold Plating
- 6. Temperature range for use: -10 °C ± 60 °C
- 7. Current and voltage: 0.5A 12V DC
- 8. Operating force: 30GF ± 10GF
- 9. Voltage withstand: 500V 0.5mA/min
- 10. Insulation resistance: 100M Ω
- 11. Contact resistance: 30M Ω
- 12. Lifetime: 50000 times

The material contained in this drawing is the property of XiBang. Any use other than that specifically authorized by XiBang is prohibited. The above drawing IS subjected to change for improvement without prior notice.



东莞市溪榜电子有限公司
DONG GUAN XI BANG ELECTRONICS CO., LTD

TITLE : LEAF SWITCH
MODEL : LF-27 (W162)



UNIT : MM	DWN.	DATE
SCALE : 3 : 1	CHK' D	DATE
VERSION	APPD.	DATE

7	CONTACT POINT	COPPER	1	Ag PLATED
6	TERMINAL	BRASS	2	Ag PLATED
5	BLOCK	IRON STRIP	1	Ni PLATED
4	PIN	AL BAR	2	NATURE
3	SPRING	PBS STRIP	2	NATURE
2	COVER	POM	1	BLACK
1	KNOB	POM	1	BLACK
NO.	PART NAME	MATERIAL	QTY.	FINISHING

TOLERANCE ±0.2mm
ANGLE TOL ±2°