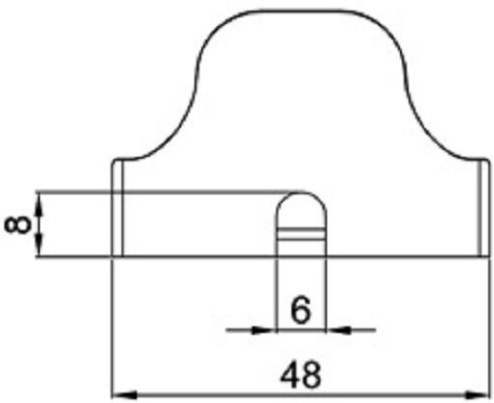
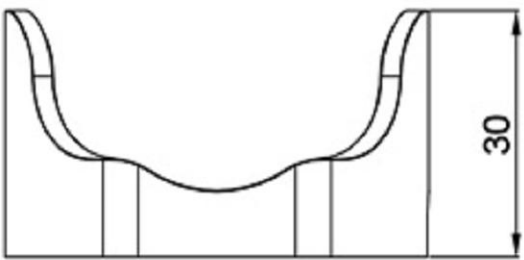
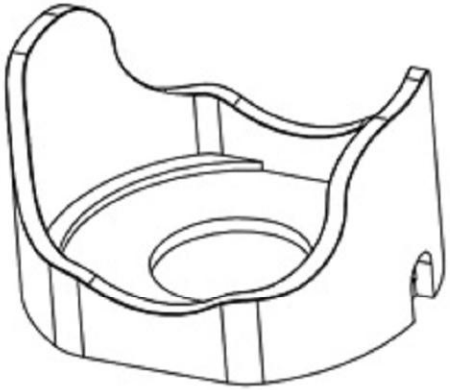
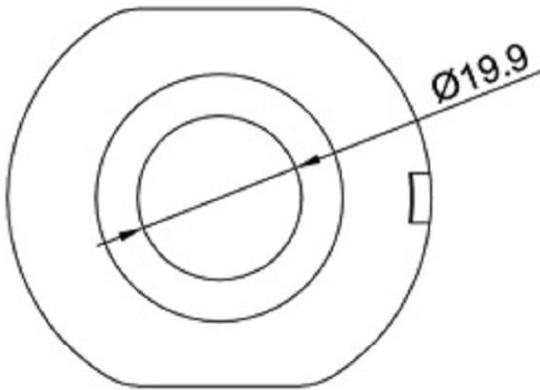
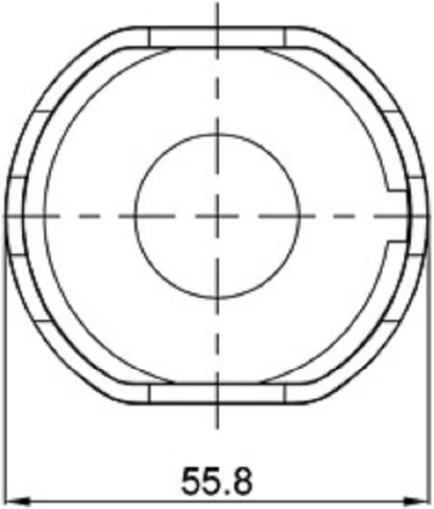


ROHS



The material contained in this drawing is the property of XiBang. Any use other than that specifically authorized by XiBang is prohibited. The above drawing IS subjected to change for improvement without prior notice.



东莞市溪榜电子有限公司
DONG GUAN XI BANG ELECTRONICS CO., LTD

TITLE : METAL PUHS BUTTON SWITCH
MODEL : XB-ESM-M-03 小号防误盖



TOLERANCE
<=1.5mm±0.1
> 1.5mm±0.2
>=10mm±0.3

ANGLE
±2°

UNIT : MM	DWN.	ZENQ. CHEN	DATE
SCALE : 3 : 1	CHK'D	PENG. GAO	DATE
VBRSION	01	APPD.	FEI. LONG. HE

7	SPRING	STEEL WIRE	1	NATURE
6	STEEL BALL	STEEL	1	NATURE
5	BOARD	PHENOLIC RESIN	1	NATURE
4	CONTACT CLIP	PBS STRIP	2	Ag PLATED
3	FRAME	IRON STRIP	1	Ni PLATED
2	TERMINAL	BRASS STRIP	8	Ag PLATED
1	KNOB	POM	1	BLACK
NO.	PART NAME	MATERIAL	QTY	FINISHING