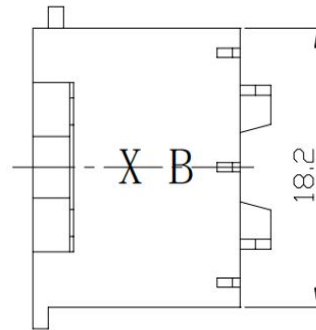
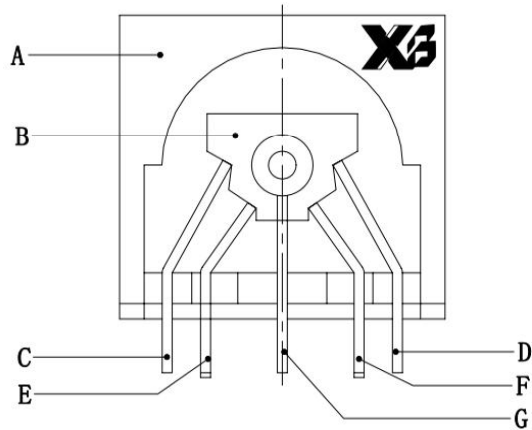
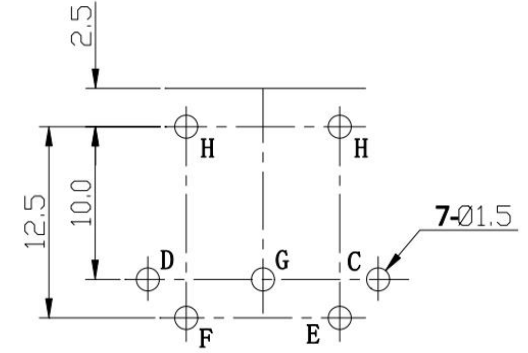
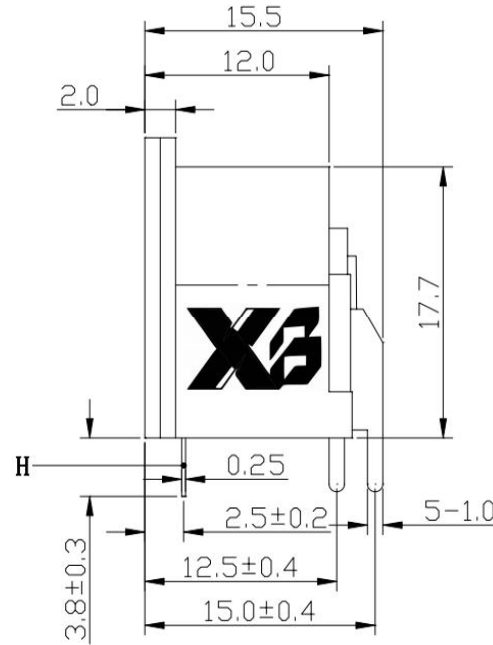
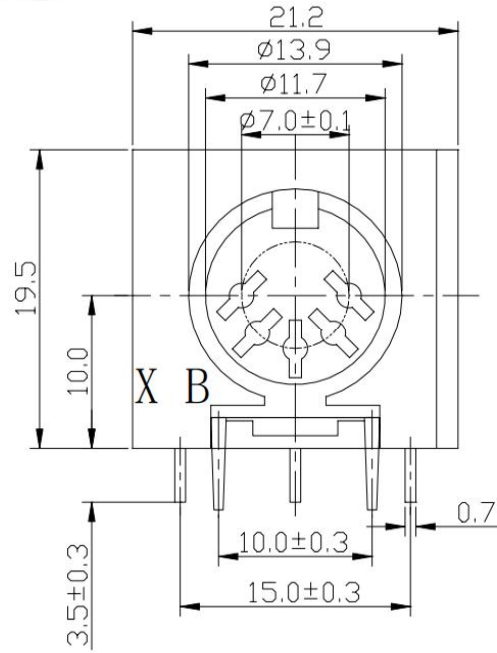


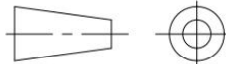
# ROHS



东莞市溪榜电子有限公司  
DONG GUAN XI BANG ELECTRONICS CO., LTD

TITLE : HORIZONTAL SLIDE SWITCH

MODEL : DIN-017 (W162)



TOLERANCE  
<=5mm ± 0.1  
> 5mm ± 0.2

ANGLE TOL  
± 2

UNIT : MM	DWN.	DATE
SCALE : 2 : 1	CHK'D	DATE
VERSION 01	APPD.	DATE

8	SPRING	PBS STRIP	8	Ag PLATED
7	TERMINAL	BRASS STRIP	8	Ag PLATED
6	TERMINAL	BRASS STRIP	1	Ag PLATED
5	TERMINAL	BRASS STRIP	1	Ag PLATED
4	TERMINAL	BRASS STRIP	2	Ag PLATED
3	TERMINAL	BRASS STRIP	1	Ag PLATED
2	HOUSING	PHENOLIC RESIN	1	NATURE
1	CASE	PBT	1	BLACK
NO.	PART NAME	MATERIAL	QTY	FINISHING