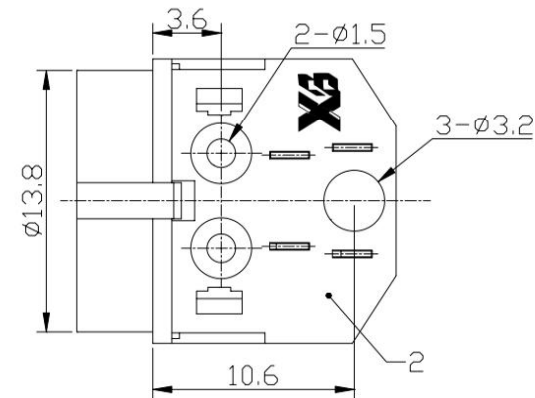
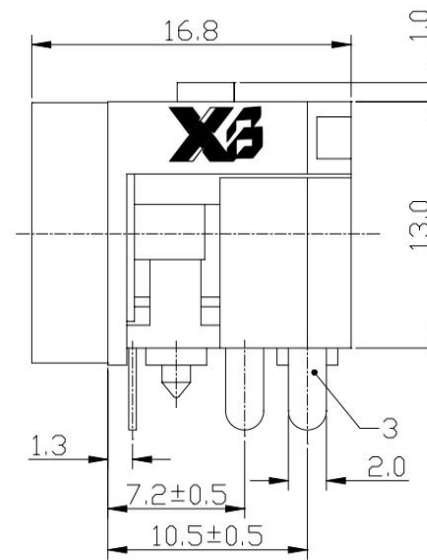
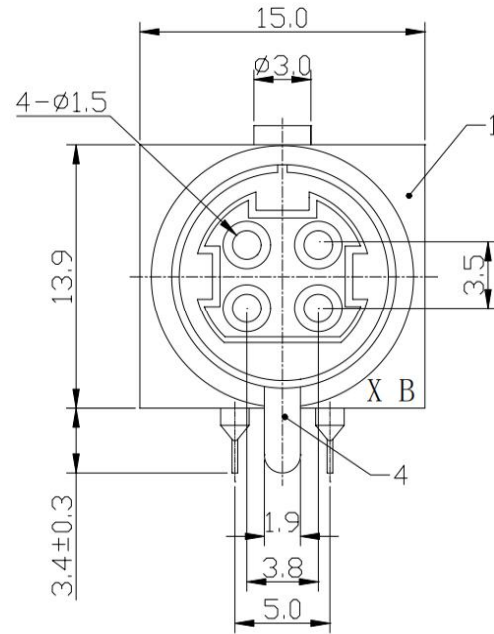


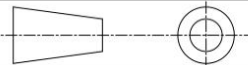
# ROHS



东莞市溪榜电子有限公司  
DONG GUAN XI BANG ELECTRONICS CO., LTD

TITLE : RCA JACK

MODEL : DIN-105 (W091)



TOLERANCE

ANGLE TOL

±0.2mm

±2°

UNIT :	MM	DWN.		DATE	
SCALE :	2.5 : 1	CHK'D		DATE	
VERSION	01	APPD.		DATE	

NO.	PART NAME	MATERIAL	QTY.	FINISHING
4	TERMINAL	BRASS STRIP	1	Ag PLATED
3	TERMINAL	BRASS STRIP	4	Ag PLATED
2	CASE	PBT	1	BLACK
1	HOUSING	PBT	1	BLACK