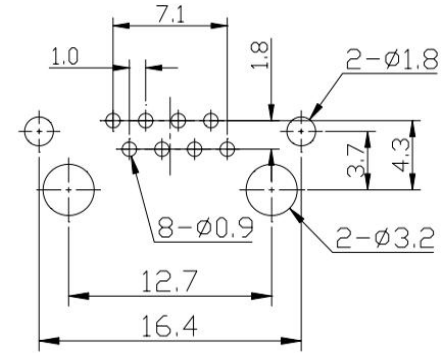
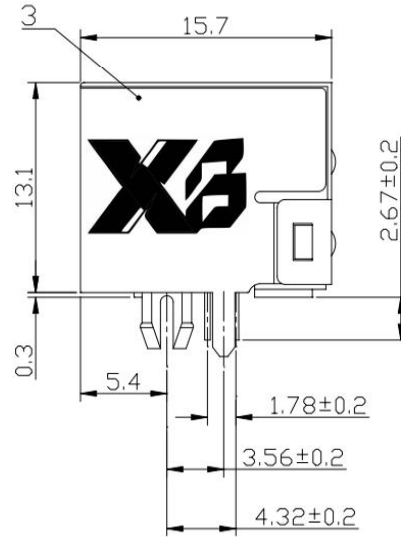
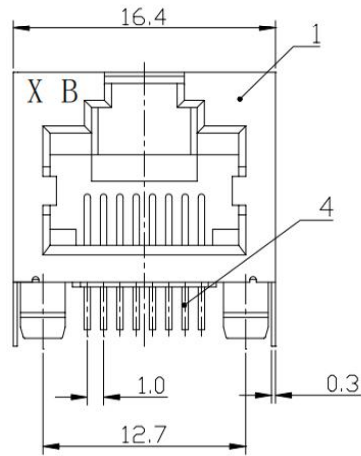


# ROHS



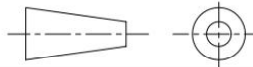
PCB (THK=1.6mm) Layout  
Component Side Shown



东莞市溪榜电子有限公司  
DONG GUAN XI BANG ELECTRONICS CO., LTD

TITLE : NET JACK

MODEL : RJ45-8P8C (W056)



TOLERANCE  
≤ 5mm ± 0.1  
> 5mm ± 0.2

ANGLE TOL  
± 2

UNIT : MM		DATE	
SCALE : 2 : 1	CHK'D	DATE	
VERSION	02	APPD.	DATE

4	TERMINAL	PBS STRIP	8	Au/Ni PLATED
3	FRAME	COPPER ALLOY	1	Ni PLATED
2	POSITION PLATE	PBT+30% F	1	BLACK
1	HOUSING	PBT+30% F	1	BLACK
NO.	PART NAME	MATERIAL	QTY.	FINISHING