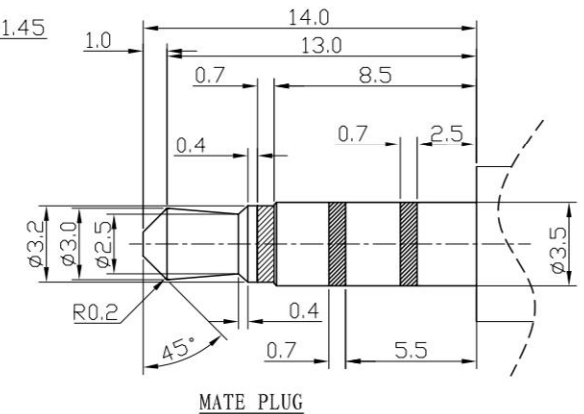
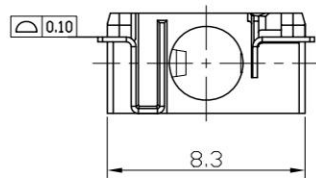
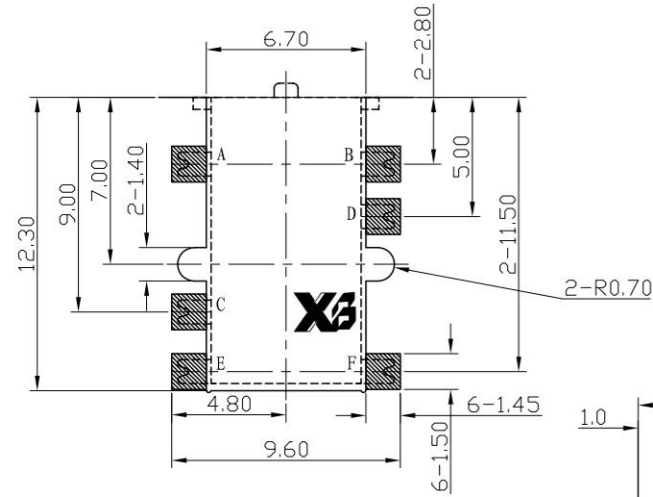
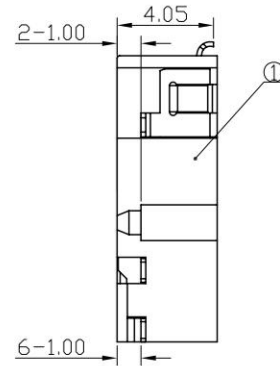
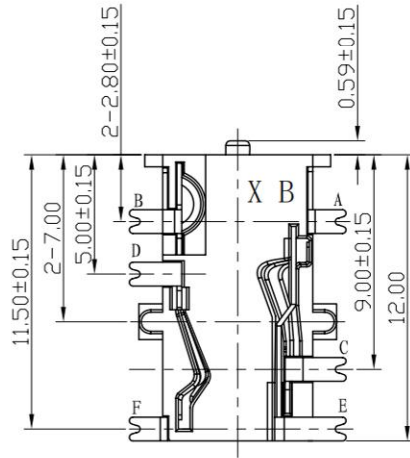
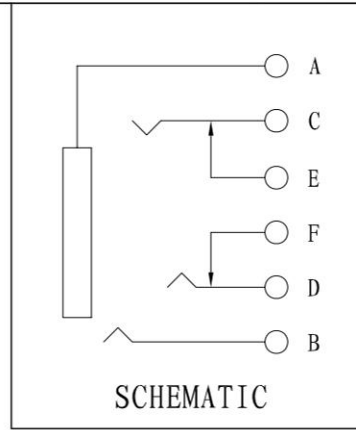
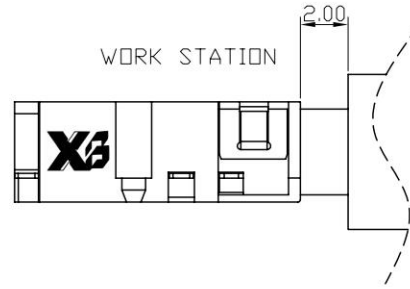
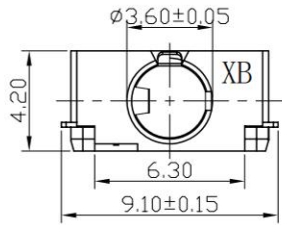


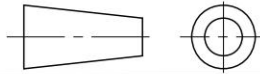
ROHS



东莞市溪榜电子有限公司
DONG GUAN XI BANG ELECTRONICS CO.,LTD

TITLE : PHONE JACK

MODEL : ST-643 (W01006)



TOLERANCE
 <=1.5mm ± 0.1
 > 1.5mm ± 0.2
 >=10.0mm ± 0.3

ANGLE TOL
 ± 2°

7	TERMINAL F	BRASS	t=0.20	1	Au PLATED
6	TERMINAL E	BRASS	t=0.20	1	Au PLATED
5	TERMINAL D	PBS	t=0.20	1	Au PLATED
4	TERMINAL C	PBS	t=0.20	1	Au PLATED
3	TERMINAL B	PBS	t=0.20	1	Au PLATED
2	TERMINAL A	PBS	t=0.20	1	Au PLATED
1	HOUSING	NYLON		1	BLACK
NO.	PART NAME	MATERIAL		QTY.	FINISHING

UNIT : MM	DWN.	DATE	
SCALE : 3 : 1	CHK'D	DATE	
VERSION 01	APPD.	DATE	